

Power Feed Turnbuckles

700PRC14_

1.8



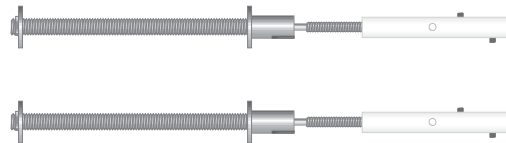
GENERAL PRODUCT INFORMATION:



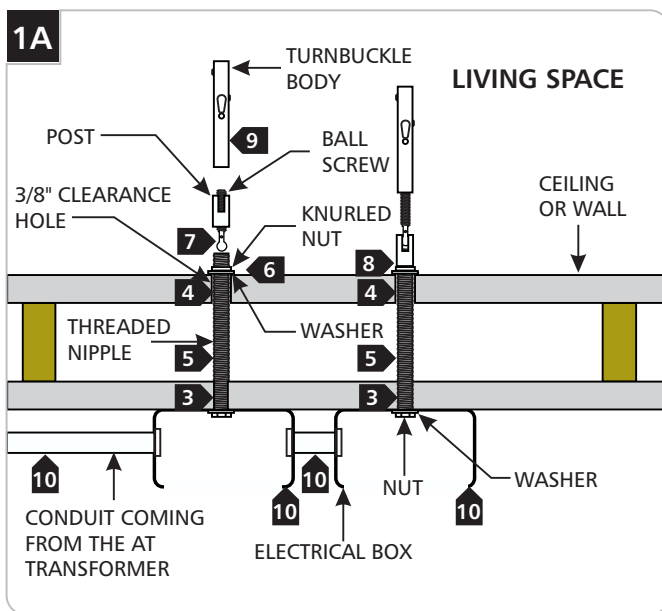
This product is suitable for indoor dry locations only.

This product can be mounted onto the wall or ceiling.

This instructions shows a typical wall installation.



Install the Power Feed Turnbuckle Directly to the Electrical Box(es)



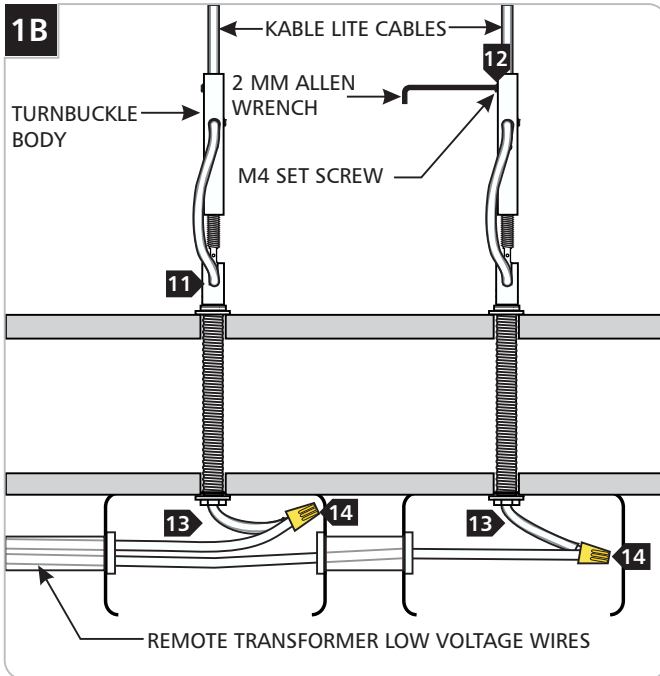
- 1 Determine the Kable Lite cable separation.
- 2 Mark two points on the ceiling or wall for the Kable Lite cable separation distance.
- 3 Drill the marked holes through (both side of the wall) with a 3/8" bit.
- 4 For power feed turnbuckles, install the electrical box(es) on the back side of the wall or ceiling. Make sure that the electrical box(es) has 3/8" clearance hole(s) for the power feed nipple(s) to pass through.
- 5 Feed the threaded nipple of the power feed turnbuckle from the living space through the clearance holes into the electrical box. Leave 1/4" of the threaded nipple exposed on the living side for the post.
- 6 Secure the nipples with the washers and nuts.
- 7 Insert the ball screws into the posts.
- 8 Screw the posts onto the exposed portion of the threaded nipples.
- 9 Screw the turnbuckle body onto the ball screws.
- 10 Install the remote transformer and the conduits between the remote transformer to the electrical box(es). Refer to the instructions provided with the remote transformer.

NOTE: Minimum Kable Lite cable separation must be 2".

NOTE: The Kable Lite power feed turnbuckle must be used on the wall or ceiling that is accessible from the other side, such as drop ceiling or wall between two rooms.

NOTE: If the Kable Lite cable separation is wider than an electrical box (not provided), then use two electrical boxes, one for each turnbuckle.

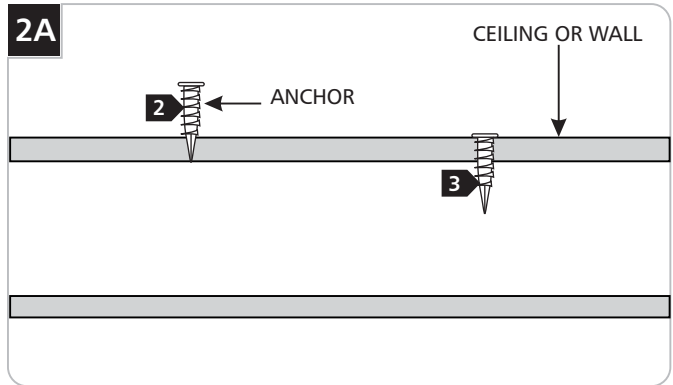
Install the Power Feed Turnbuckle Indirectly to the Electrical Box(es)



- 11** Feed the Kable Lite cables through the turnbuckle bodies into the post and through the threaded nipples into the electrical box(es).

NOTE: If using uninsulated Kable Lite cables, then insulate the portion of the Kable Lite going through the post and threaded nipple into the electrical box with the provided insulated tube.

- 12** Tighten the M4 set screws with the 2 MM Allen wrench.
- 13** Cut the exposed Kable Lite cables down to 6" in the electrical box.
- 14** Strip 1/2" of the insulation off of the Kable Lite cables or the insulated tube and connect them to the low voltage wires coming from the remote transformer with wire nuts.

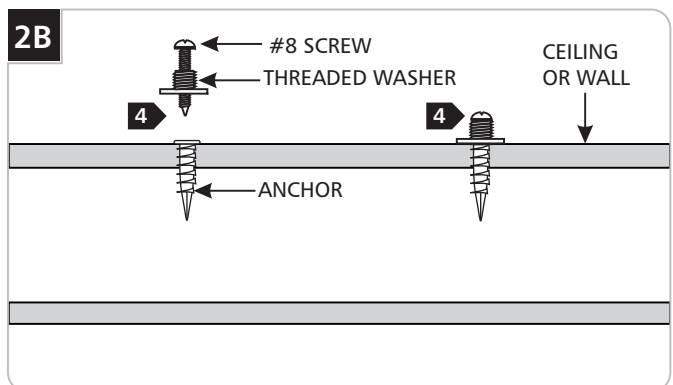


NOTE: Minimum Kable Lite cable separation must be 2".

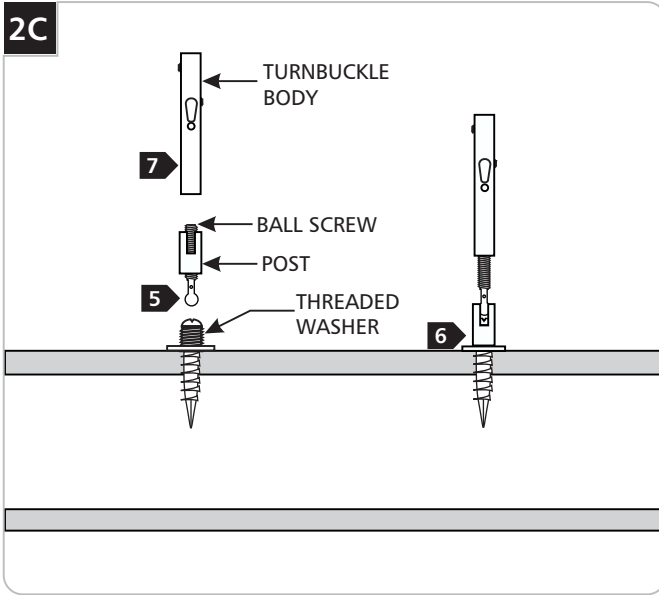
NOTE: The Kable Lite power feed turnbuckle must be used on the wall or ceiling that is accessible from the other side, such as drop ceiling or wall between two rooms.

NOTE: If the Kable Lite cable separation is wider than an electrical box (not provided), then use two electrical boxes, one for each turnbuckle.

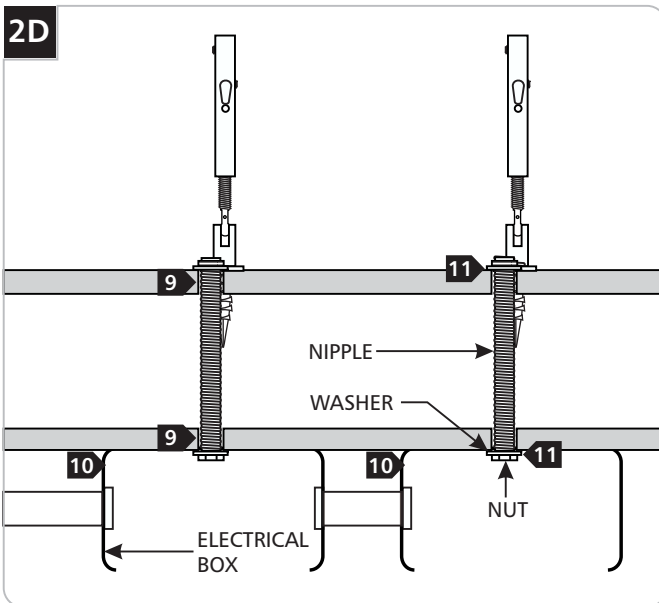
- 1** Mark the for the turnbuckles on the wall or ceiling. The distance between the center points of the turnbuckles should be the desired Kable Lite cable separation.
- 2** With a hammer tap the anchors at the marked points up to the threaded portion.
- 3** Screw the anchors in rest of the way with a Phillips screwdriver.



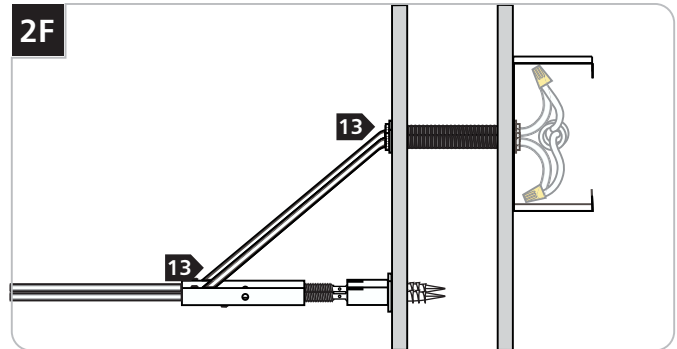
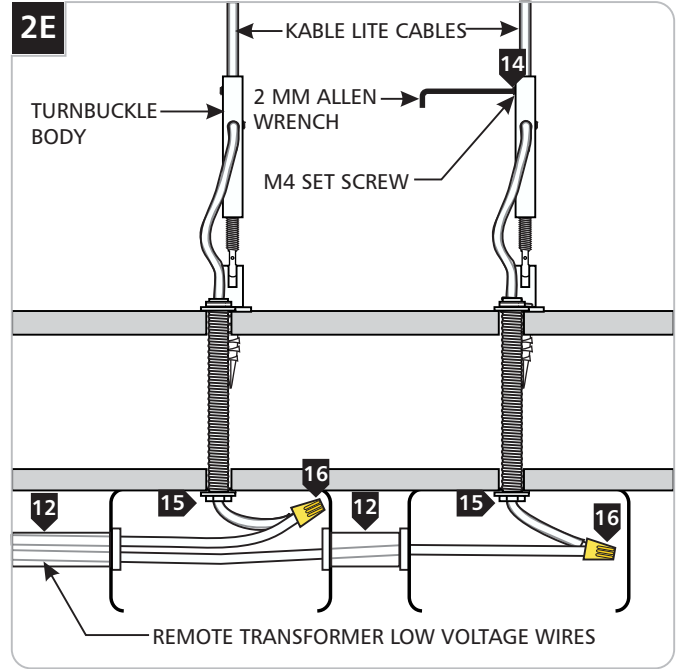
- 4** Attach the threaded washers to the anchors with the #8 screws.



- 5 Insert the ball screws into the posts.
- 6 Screw the posts completely onto the threaded washers.
- 7 Screw the turnbuckles onto the ball screws.



- 8 Mark a point above each power feed turnbuckle for the electrical box(es).
- 9 Drill a 3/8" hole into the marked points through the ceiling or wall.
- 10 For power feed turnbuckles, install the electrical box(es) on the back side of the wall or ceiling. Make sure that the electrical box(es) has 3/8" clearance hole(s) for the power feed nipple(s) to pass through.
- 11 Secure the nipple with washers and nuts on both sides.



- 12 Install the remote transformer and the conduits between the remote transformer to the electrical box(es). Refer to the instructions provided with the remote transformer.
- 13 Feed the Kable Lite cables through the turnbuckle bodies into the post and through the threaded nipples into the electrical box(es).

NOTE: If using uninsulated Kable Lite cables, then insulate the portion of the Kable Lite going through the post and threaded nipple into the electrical box with the provided insulated tube.

- 14 Tighten the M4 set screws with the 2 MM Allen wrench.
- 15 Cut the exposed Kable Lite cables down to 6" in the electrical box.
- 16 Strip 1/2" of the insulation off of the Kable Lite cables or the insulated tube and connect them to the low voltage wires coming from the remote transformer with wire nuts.

SAVE THESE INSTRUCTIONS!



7400 Linder Ave, Skokie, IL 60077
847.410.4400

www.techlighting.com

© 2014 Tech Lighting, L.L.C. All rights reserved. The "Tech Lighting" graphic is a registered trademark of Tech Lighting, L.L.C. Tech Lighting reserves the right to change specifications for product improvements without notification.
A Generation Brands Company