



**GENERAL PRODUCT INFORMATION:**



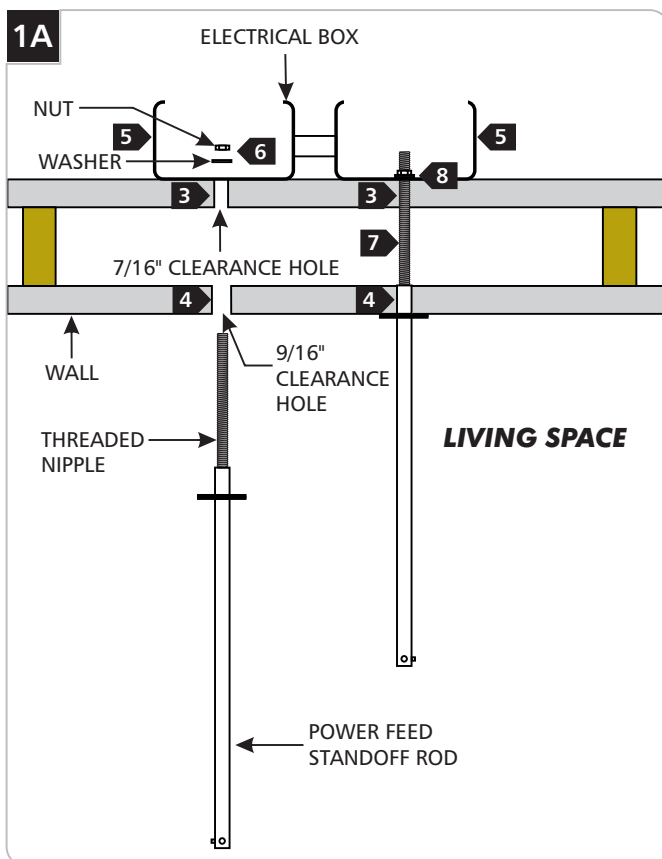
This product is suitable for indoor dry locations only.

This product can be mounted onto the wall or ceiling.

This instructions shows a typical wall installation.



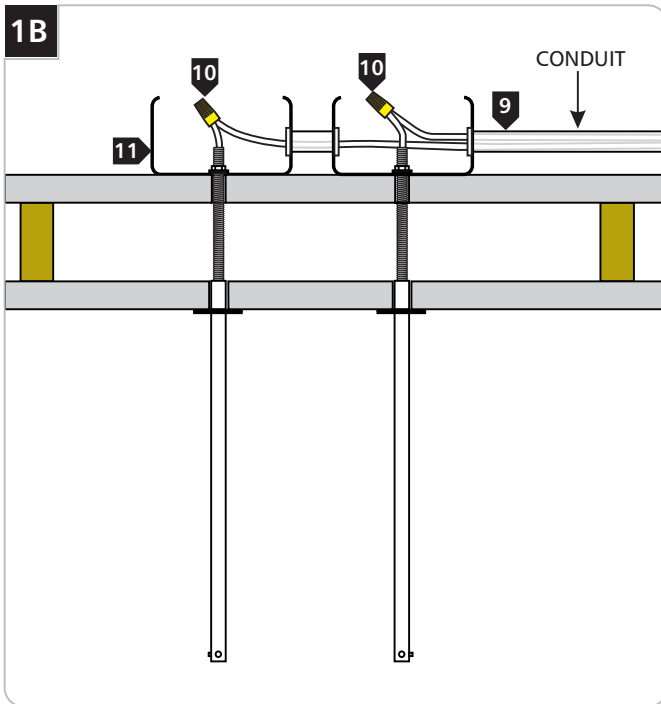
**Install the Power Feed Standoff**



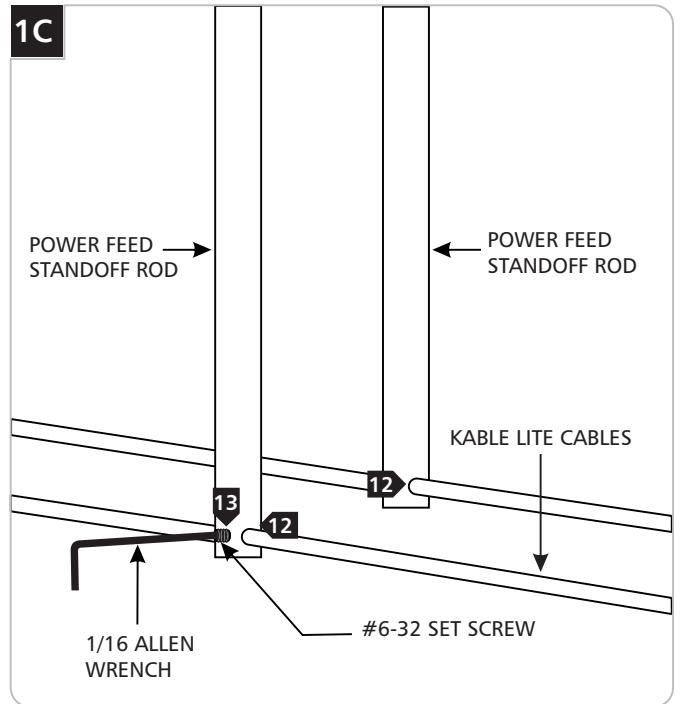
- 1** Determine the Kable Lite cable separation.
- 2** Mark two points on the ceiling or wall for the Kable Lite cable separation distance.
- 3** Drill the marked holes through (both side of the wall) with a 7/16" bit.
- 4** Open the living space hole with a 9/16" drill bit for the plastic bushing to fit.
- 5** For each power feed standoff, install an electrical box on the back side of the wall or ceiling. Make sure that the center of the electrical boxes have a 7/16" clearance hole for the power feed nipple to pass through.
- 6** Remove the nut and the washer from the threaded nipple (for ceiling application replace the 6" threaded nipples with the provided 3/4" ones).
- 7** Feed the threaded nipple of the power feed standoffs from the living space through the clearance holes into the electrical box.
- 8** Secure the power feed standoffs in the electrical boxes with the washers and nuts.

**NOTE:** The Kable Lite power feed standoff must be used on the wall or ceiling that is accessible from the other side, such as drop ceiling or wall between two rooms.

**NOTE:** Minimum Kable Lite cable separation must be 3.5".



- 9** Connect a conduit from the remote transformer to the electrical box (refer to the instructions provide with the remote transformer).
- 10** Connect the low voltage remote transformer wires to the power feed standoff wires with wire nuts.
- 11** Place all wires and wire nut connections inside the electrical boxes.



- 12** Feed the Kable lite cables through the power feed standoff rod holes.
- 13** Tighten the #6-32 set screw on the power feed standoff rod with the 1/16 Allen wrench after the Kable Lite cables are taut.

**SAVE THESE INSTRUCTIONS!**



**TECH LIGHTING®**

7400 Linder Ave, Skokie, IL 60077  
847.410.4400

[www.techlighting.com](http://www.techlighting.com)

© 2008 Tech Lighting, L.L.C. All rights reserved. The "Tech Lighting" graphic is a registered trademark of Tech Lighting, L.L.C. Tech Lighting reserves the right to change specifications for product improvements without notification.  
A Generation Brands Company