

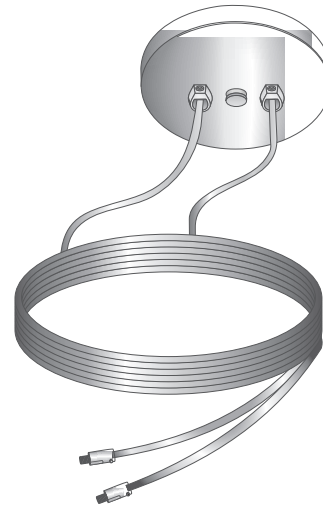


GENERAL PRODUCT INFORMATION:

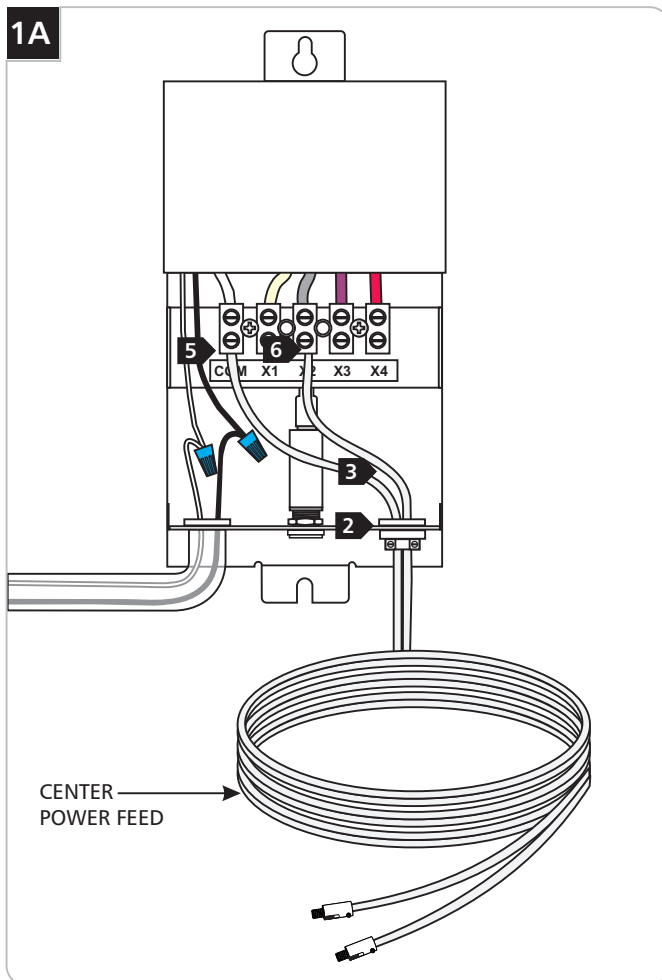


This product is suitable for indoor dry locations only.

This product is intended to be used with Tech Lighting Kable Lite system only.



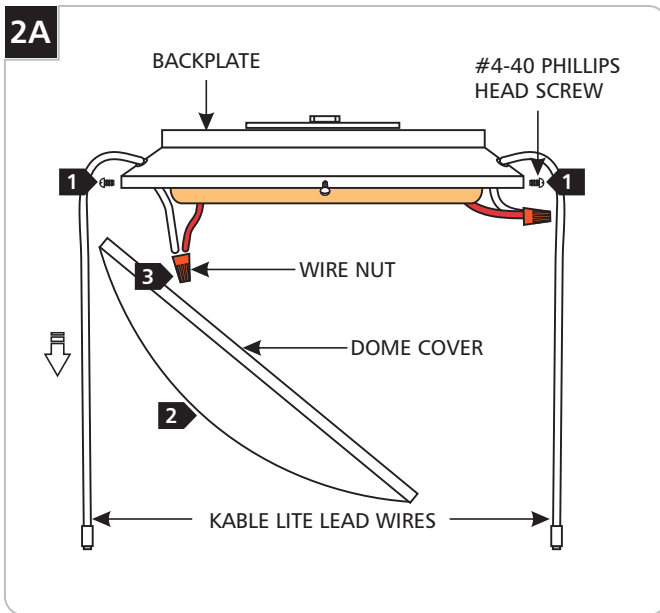
Connect the Center Power Feed Wires Directly to the Remote Transformer



NOTE: The provided power feed canopy is not used in this procedure.

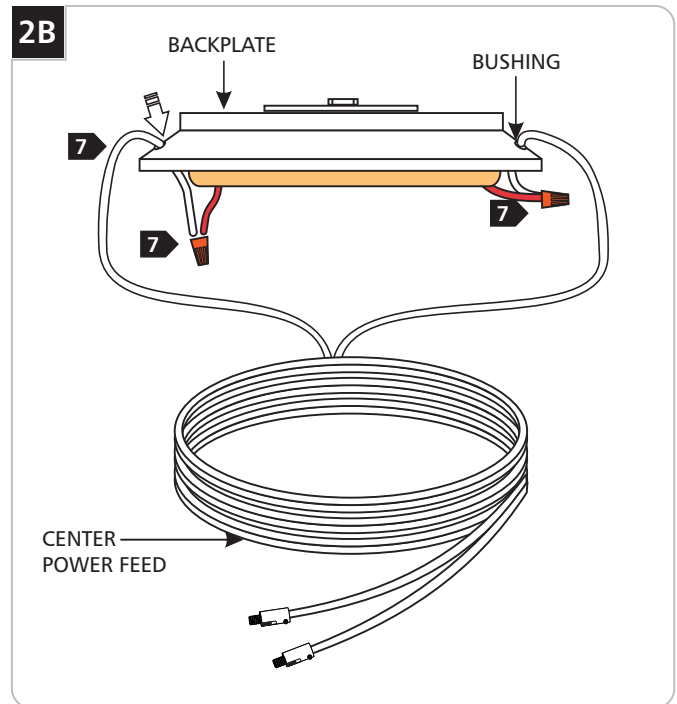
- Cut the center power feed wires to the desired length.
- Feed the center power feed wires into the transformer.
- With a sharp knife cut 1" from the end of the wire web and separate the wires 6" from each other.
- Strip 1/2" off the wire ends.
- Connect one center power feed wire to the "COM" terminal.
- Connect the other wire to the terminal marked "X2" (default). After installing the system completely, refer to the remote transformer instructions for connecting this wire to the proper terminal "X1- X4".

Connecting the Center Power Feed Wires Directly to the Kable Lite Surface Transformer



NOTE: The provided power feed canopy is not used in this procedure.

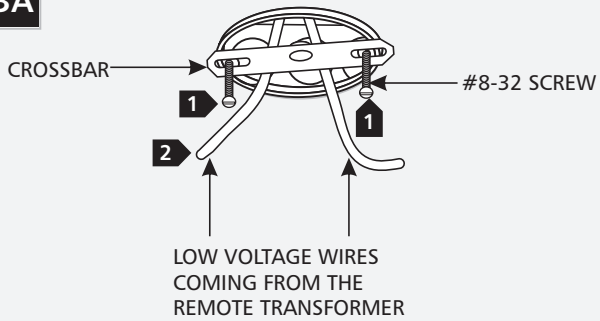
- 1** On side of the transformer canopy dome cover, remove the #4-40 Phillips head screws.
- 2** Lift the dome cover off of the transformer backplate.
- 3** Remove the Kable Lite lead wires by removing the wire nut connections.



- 4** Cut the center power feed wires to the desired length.
- 5** With a sharp knife cut 1" from the end of the wire web and separate the wires 12" from each other.
- 6** Strip 1/2" off the wire ends.
- 7** Feed the center power feed wires through the backplate bushings and connect them to the loose Low voltage wires with the wire nuts.
- 8** Refer to the Kable Lite surface mount transformer instruction to complete mounting the transformer.

Install the Center Power Feed

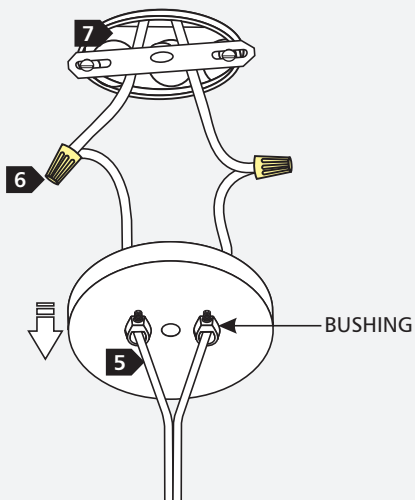
3A



NOTE: Low voltage wires must be present in electrical box before proceeding with these steps. Refer to the instructions provided with the remote transformer.

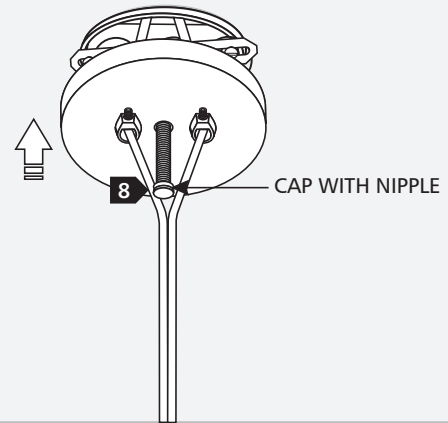
- 1 Mount the crossbar to the electrical box with the provided two #8-32 screws.
- 2 Pull the low voltage wires out of electrical box for power connection.

3B



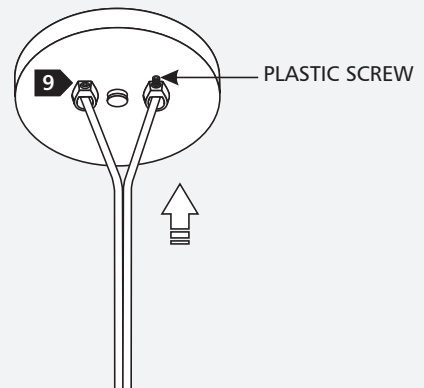
- 3 Cut the center power feed wires to the desired length.
- 4 With a sharp knife cut 1" from the end of the wire web and separate the wires 8" from each other.
- 5 Push the power feed wires through the canopy bushings and slide the canopy down the wires.
- 6 Strip 1/2" off the wire ends and connect them to the electrical box low voltage wires with the provided wire nuts.
- 7 Place the wire nut connections into the electrical box.

3C



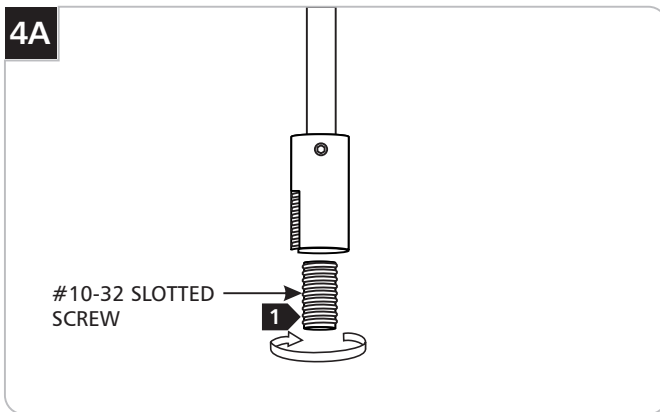
- 8 Slide the canopy up and secure it to the electrical box by screwing the cap with nipple to the crossbar.

3D

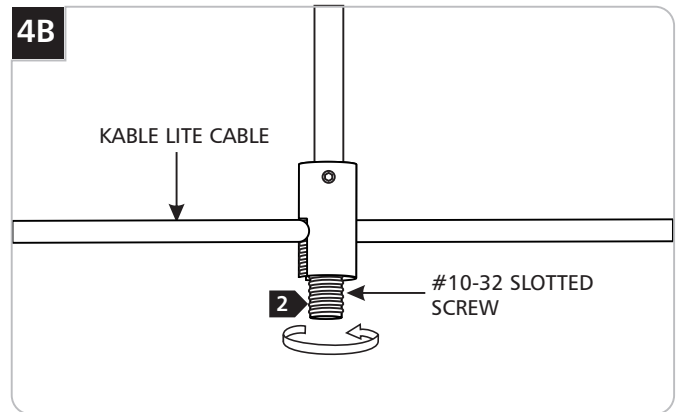


- 9 Push the excess power feed wires into the canopy and tighten the plastic screw.

Connecting the Center Power Feed Connectors to the Kable Lite



- 1 For each power feed connector remove the #8-32 slotted screw with a flat head screwdriver.



- 2 Place the power feed connectors onto each Kable Lite cable. Replace and tighten the #8-32 slotted set screw.

SAVE THESE INSTRUCTIONS!



7400 Linder Ave, Skokie, IL 60077
847.410.4400

www.techlighting.com

© 2008 Tech Lighting, L.L.C. All rights reserved. The "Tech Lighting" graphic is a registered trademark of Tech Lighting, L.L.C. Tech Lighting reserves the right to change specifications for product improvements without notification.
A Generation Brands Company