

# Combination FreeJack and Power Jack Round Multi-Port Canopy

700FJPJRD11\_

1.1



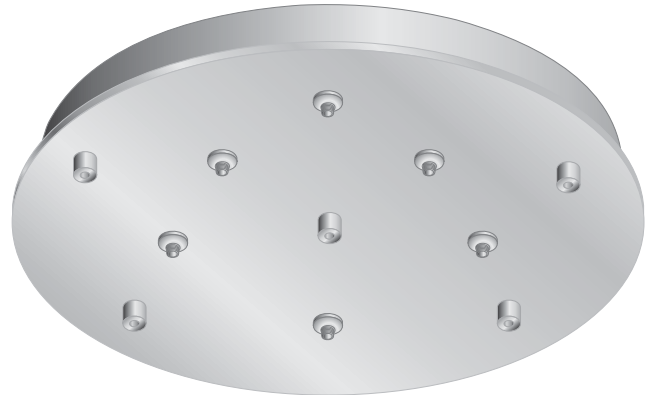
## MULTI-PORT CANOPIES

### GENERAL PRODUCT INFORMATION:

This product is suitable for dry locations only.



**IMPORTANT!** If the canopy is wood, do not install any head or pendant closer than 12 inches to this canopy. Heat from the lamp may damage the wood.

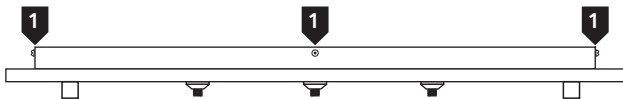


### CAUTION — RISK OF FIRE

This product requires installation by a qualified electrician. Before installing be sure to read all instructions and **TURN OFF POWER TO THE ELECTRICAL BOX.**

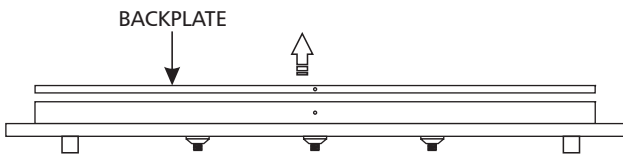
## Install the Backplate

1A



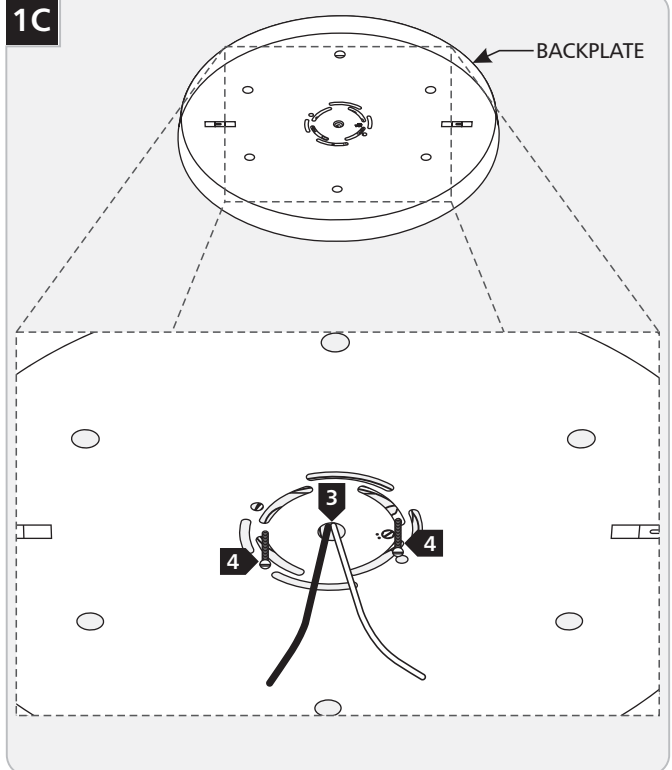
1 Remove all the button head screws around the canopy.

1B



2 Lift the backplate out of the canopy.

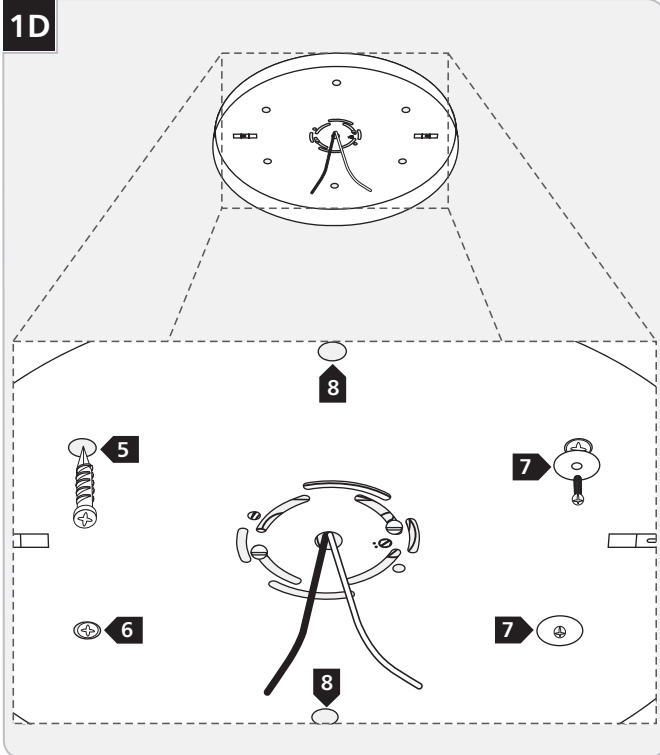
1C



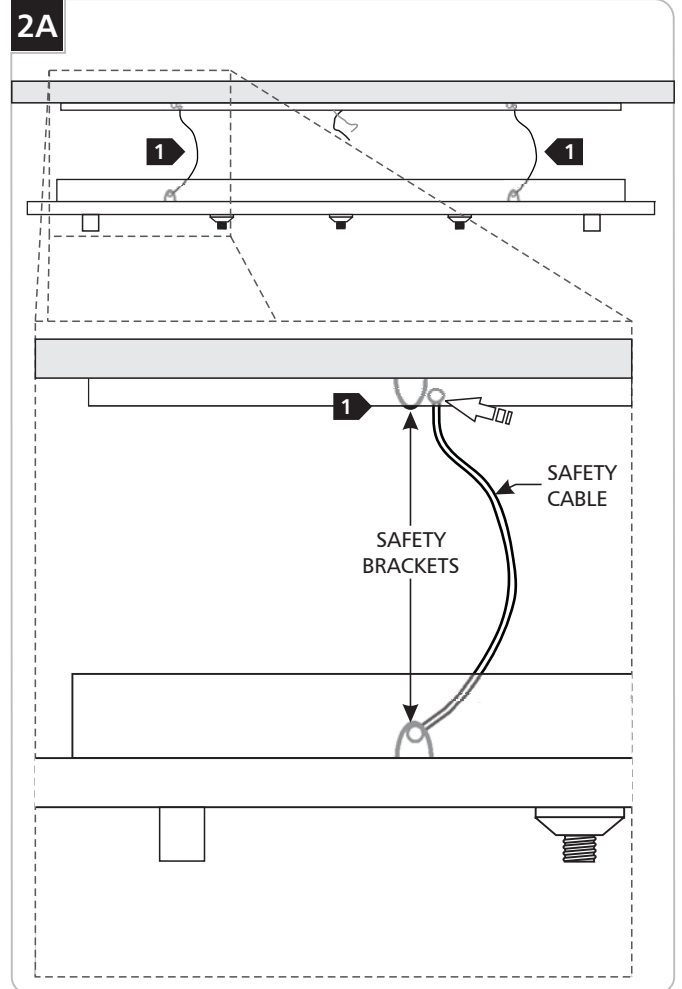
3 Feed the power line wires through the hole in the middle of the backplate.

4 Mount the backplate to the electrical box with the two long #8-32 screws provided.

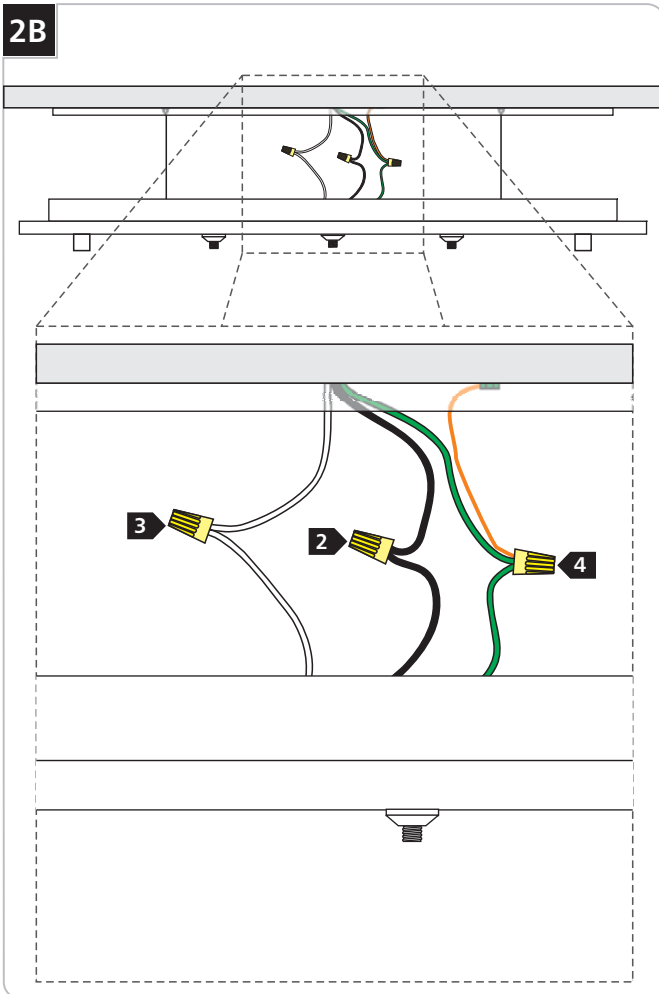
## Install the Canopy



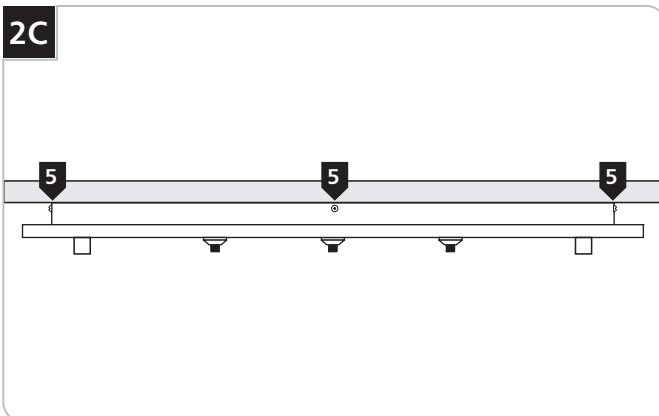
- 5** Line up an anchor with the center of a backplate hole and push the anchor in up to the threads.
- 6** Screw the anchor the rest of the way in with a screwdriver.
- 7** Secure the backplate to the anchor with a screw and washer.
- 8** Repeat steps 5-7 for all six anchor holes.



- 1** Hook a safety cable through the safety brackets on each end of the canopy and backplate.

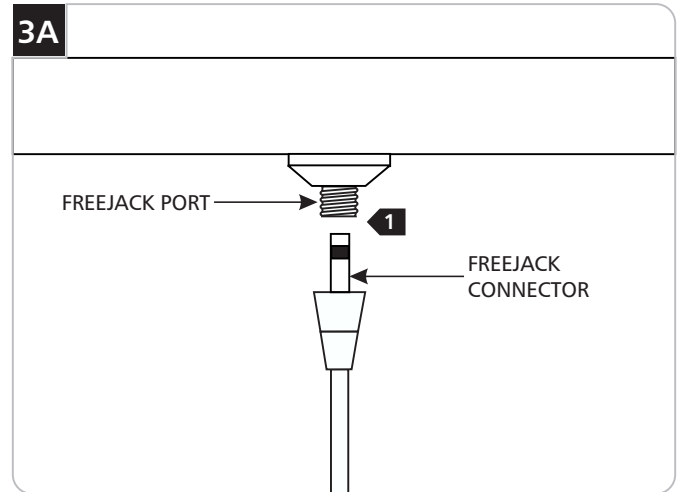
**2B**

- 2** Connect the black fixture wire to the hot power line wire with a wire nut.
- 3** Connect the white fixture wire to the neutral power line wire with a wire nut.
- 4** Connect the canopy to a suitable ground in accordance with local electrical codes.

**2C**

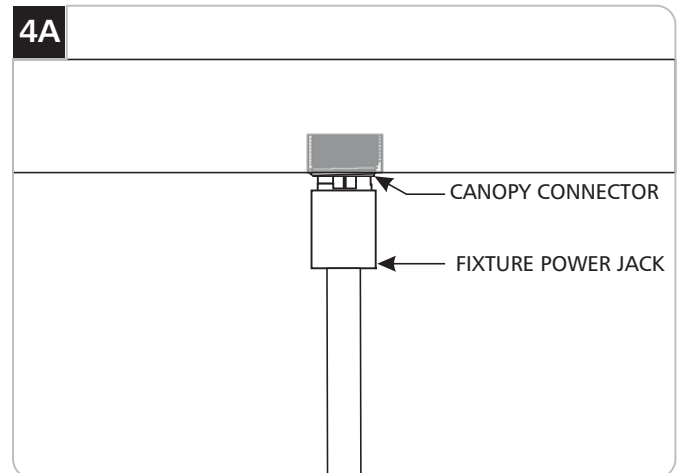
- 5** Line up the canopy to the backplate and reinstall all the button head screws.

## Install the FreeJack Fixtures

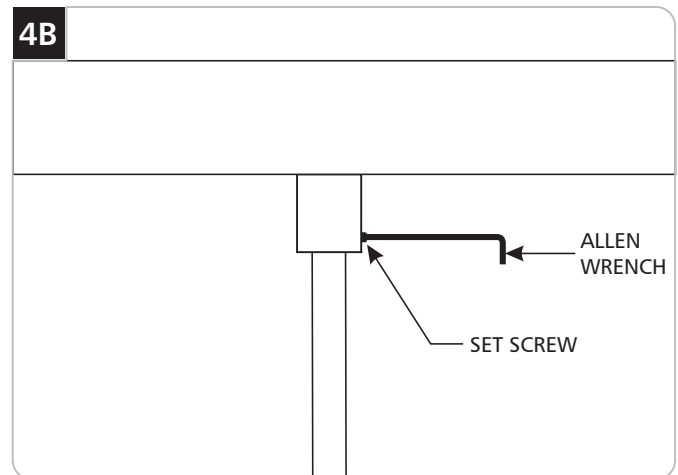
**3A**

- 1** Screw a FreeJack connector into each FreeJack port.

## Install the Power Jack Fixtures

**4A**

- 1** Line up the fixture Power Jack with the canopy connector.
- 2** Screw the Power Jack tightly onto the canopy connector.

**4B**

- 3** **Optional (heads only):** To lock the fixture head in a permanent position, tighten the set screw on the fixture Power Jack housing with the provided Allen wrench. This feature is not available on pendants.

**SAVE THESE INSTRUCTIONS!**



**TECH LIGHTING®**

7400 Linder Ave, Skokie, IL 60077

847.410.4400

[www.techlighting.com](http://www.techlighting.com)

© 2012 Tech Lighting, L.L.C. All rights reserved. The "Tech Lighting" graphic is a registered trademark of Tech Lighting, L.L.C. Tech Lighting reserves the right to change specifications for product improvements without notification.

A Generation Brands Company