

Entra Recessed Fixed and Adjustable 120V Niche Lights

1.1



GENERAL PRODUCT INFORMATION:

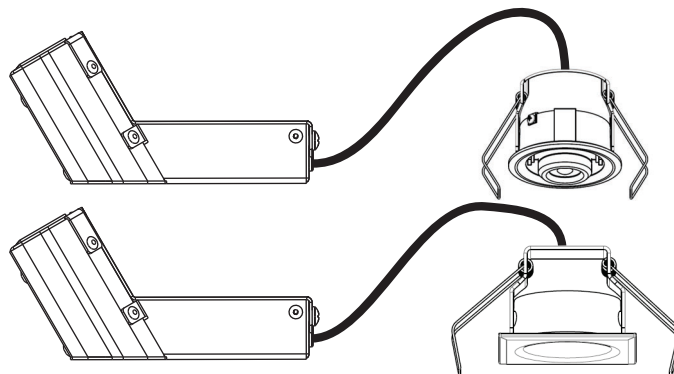


Adjustable fixture are safety listed for damp locations.

Fixed downlight fixtures are safety listed for wet locations.

This instruction shows a typical installation.

Minimum 3.5" plenum depth required.



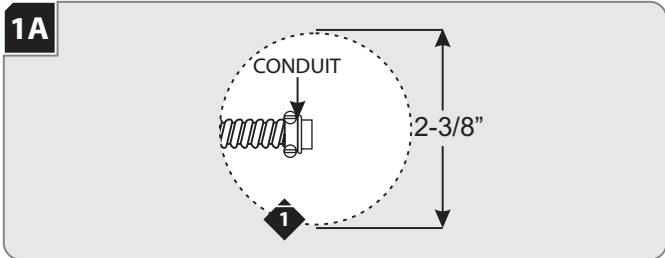
SAVE THESE INSTRUCTIONS!

CAUTION - RISK OF FIRE
 This product must be installed in accordance with the applicable installation code by a person familiar with the construction and operation of the product and the hazards involved.
Use minimum 90°C supply conductors.

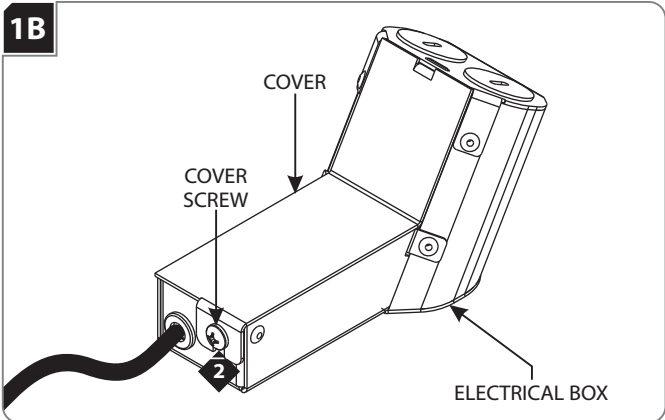
Wire the Fixture

NOTE: Follow the transformer instructions to install, properly connect, and bring line-voltage wire leads to the fixture's mounting location.

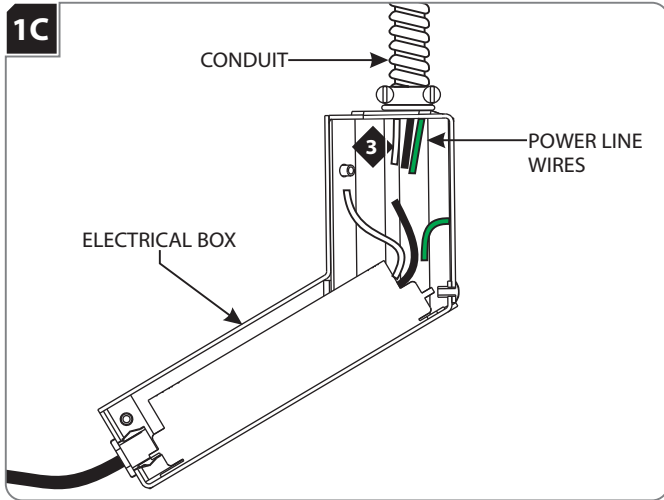
NOTE: This instruction covers round and square versions. Round version was used for illustration purposes.



1 Using a 2-3/8" hole saw, cut a hole into the ceiling at the desired location(s) and route the conduit / power lines to the opening.

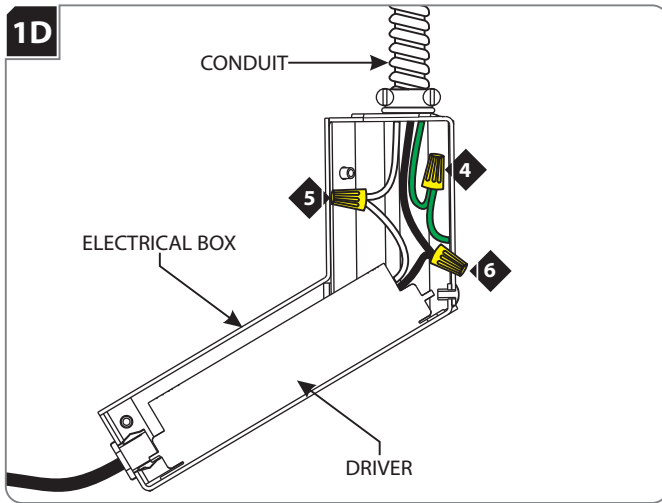


2 Remove the cover on the electrical box by loosening the screw.

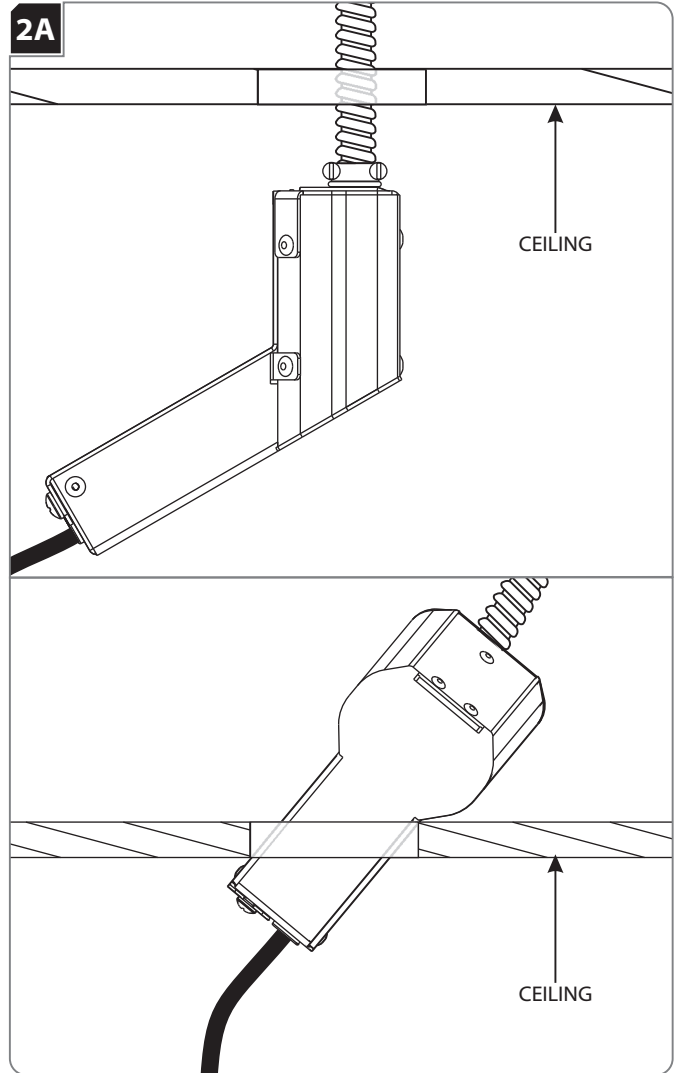


3 Run the power lines to the desired knockout on the electrical box and fasten the appropriate connector(s) (not included)

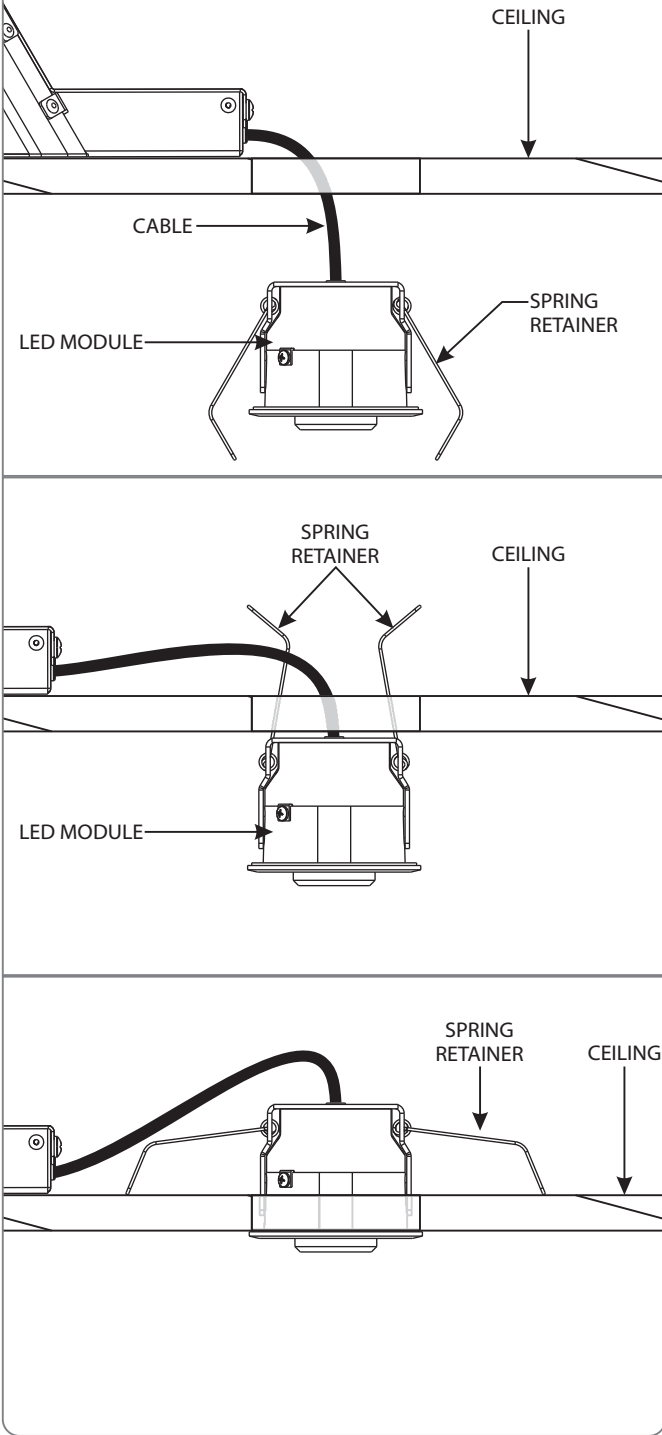
Install the Fixture



- 4 Make sure the electrical box is grounded in accordance with local electrical codes.
- 5 Connect the neutral power line to the white driver wire with a wire nut.
- 6 Connect the hot power line wire to the black driver wire with a wire nut.
- 7 Neatly place all wires and wire nut connections inside the electrical box and replace the electrical box cover.



- 1 Place the electrical box inside the ceiling. For installations with minimal clearance in the ceiling, first insert the large end of the box vertically, and then pivot the box to the side to slide the smaller end through the cutout.

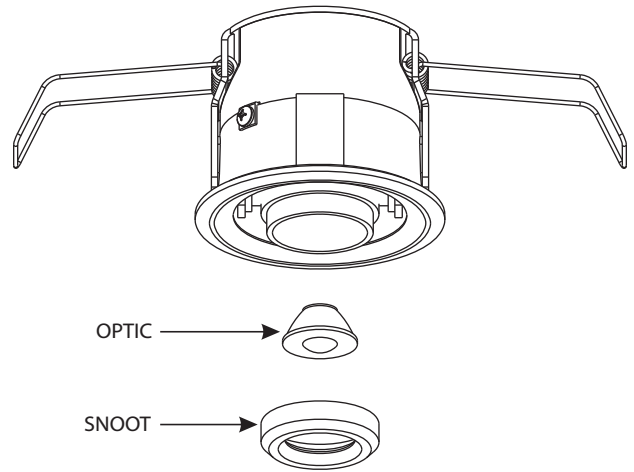
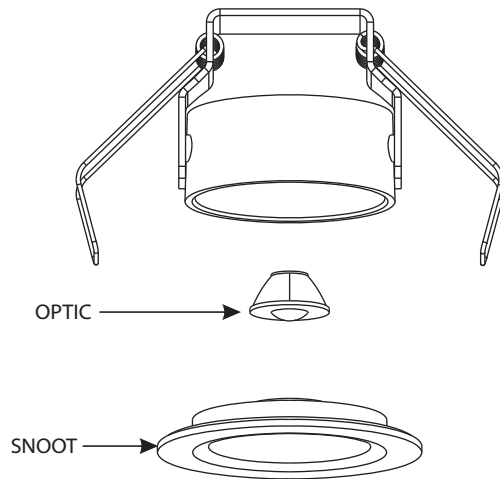
2B

- 2 If the LED module was disconnected from the electrical box, pull the cable through the opening and connect the module.
- 3 Rotate the spring retainers completely up and insert the fixture into the ceiling until it is securely in place

NOTE: For square versions, ensure that the fixture is parallel or perpendicular to the walls, this will ensure that the fixture is oriented to the room.

Replacing Optics

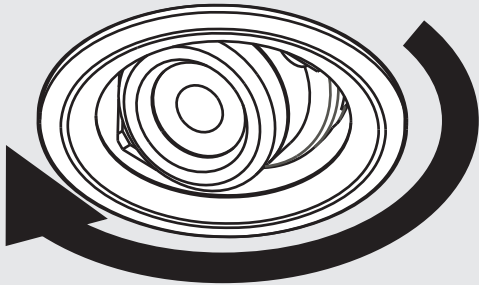
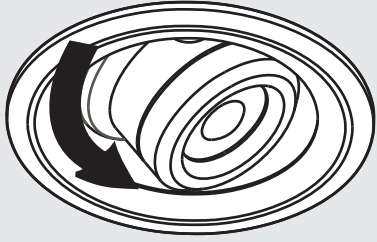
NOTE: The fixture is provided with a flood lens pre-assembled. If the narrow-beam lens is preferred, follow these steps to change the lens prior to installation.

3A**ADJUSTABLE VERSION****DOWNLIGHT VERSION**

- 1 Unscrew and remove the snoot.
- 2 Remove the optic.
- 3 Install the replacement optic inside the snoot.
- 4 Screw the snoot back on.

Adjust the Module (adjustable version only)

4A



- 1 Tilt and rotate the LED module to the desired direction. The gimbal mechanism may be rotated up to 359°.

 **TECH LIGHTING**

7400 Linder Ave., Skokie, IL 60077

T 847.410.4400 | F 847.410.4500

www.techlighting.com