

PRODUCT FEATURES

- Simple design with the functionality of practical technology
- Double heads that rotate a full 360° and pivot 360° to direct light beam to the desired location
- Available in three on-trend finishes and can be customized to hang at five distinct stem lengths
- Ideal for commercial and residential lighting applications
- Complementary Monopoint or Monorail systems available by Tech Lighting
- Protected by a 1-year warranty



LAMPING

Integral louver lens holders can hold a single glass lens (sold separately) or an eggcrate louver (two included). Two low-voltage, MR16 lamps of up to 35 watts each (70 watt max) (not included). Dimmable with Low-Voltage electronic or magnetic dimmer (based on transformer).

Straight



Straight

With Eggcrate Louver

ORDERING INFORMATION

700	SYSTEM	ELT	LENGTH (A)	FINISH
	FJ FREEJACK		03 3"	Z ANTIQUE BRONZE
	MP MONOPOINT		06 6"	S SATIN NICKEL
	MO MONORAIL		12 12"	
	WMO WALL MONORAIL			

Note. MP includes 4" Round Flush Canopy. For custom stem lengths, please contact the Quotes Department.

700 _____ ELT _____

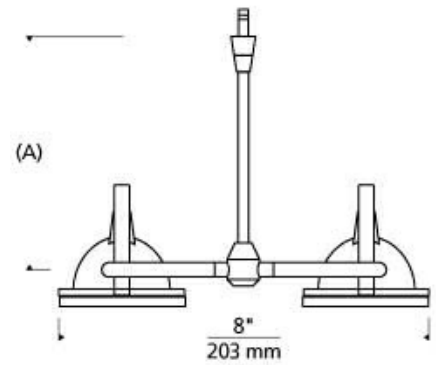
JOB NAME _____

NOTES _____



SPECIFICATIONS

HARDWARE MATERIAL	Metal
SHADE MATERIAL	
NET WEIGHT	1.5 lbs
HEIGHT	3in
WIDTH	4in
LENGTH	8in
BEAM SPREAD	
UP LIGHT / DOWN LIGHT / BOTH?	
WET LISTED	
DAMP LISTED	
DRY LISTED	
MIN. HANGING HEIGHT	3in
MAX HANGING HEIGHT	3in
TOTAL CORD LENGTH	
SLOPED CEILING ADAPTABLE?	N/A
GENERAL LISTING	ETL Listed
INCLUDES	



LAMPING SPECIFICATIONS

	LED LAMP	INTEGRATED LED	NON LED	NO LAMP
DELIVERED LUMENS				
WATTS				35
MAX WATTAGE PER BULB				35W
INPUT VOLTAGE				12V 120V
DIMMING TYPE*				ELV
CCT				
CRI				
LED LIFETIME				
L70				
AVERAGE BULB HOURS				
FIELD SERVICEABLE LED				
LAMP BASE				GU5.3
LAMP SHAPE				MR16
LAMP INCLUDED?				N
WARRANTY**				1 Year

* Dimming information available at www.techlighting.com/Downloads#dimming

** Visit techlighting.com for specific warranty limitations and details.

T20 / T24 INFORMATION

	Integrated LED	Replacement LED Lamp	No Lamp *
This product can be used to comply with California Building Energy Efficiency Standards 2016 Title 24 Part 6.			N/A
This product can be used to comply with California Appliance Efficiency Standards 2016 Title 20 and may be shipped to and sold in California.			N/A

* If a light fixture or component does not include a lamp or light source, it is the responsibility of the customer to select a lamp that meets the T24 and T20 requirements.

