

# E3 Flangless Trims

1.0

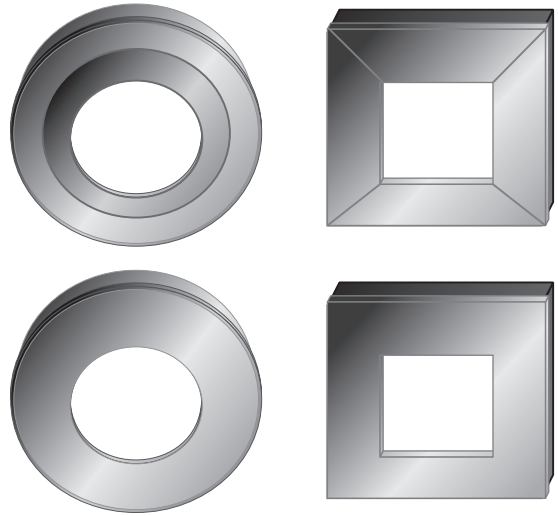


## GENERAL PRODUCT INFORMATION:

This product is suitable for indoor locations.

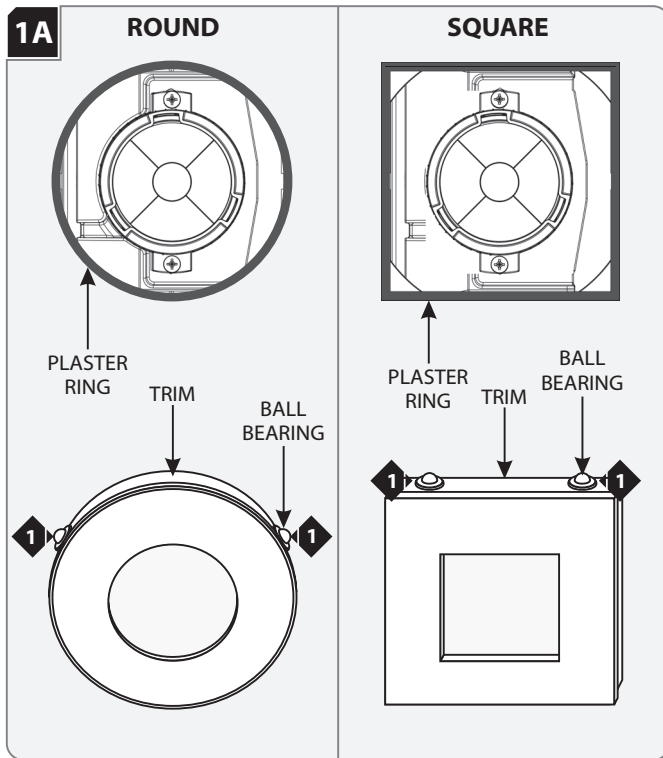


This instruction shows a typical installation.

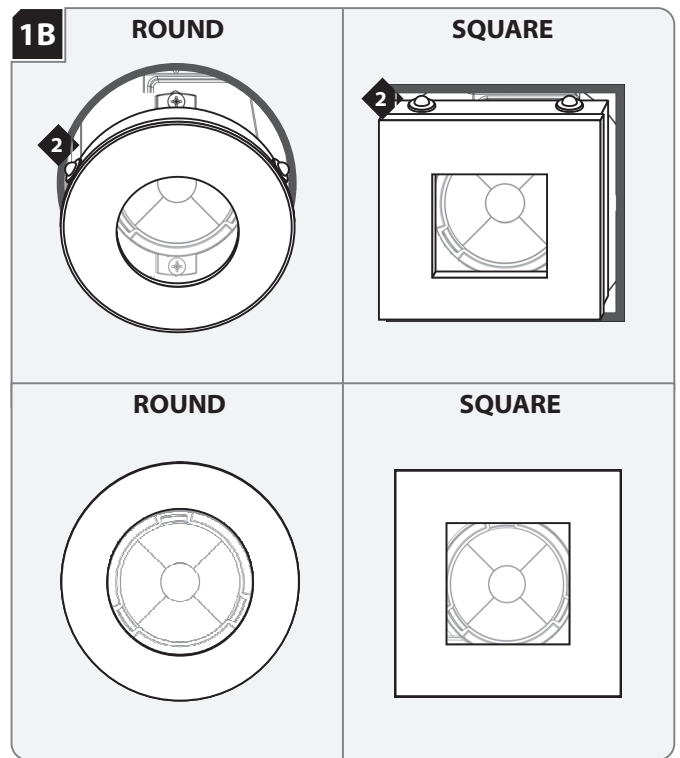


**SAVE THESE INSTRUCTIONS!**

## Install the Trim



**1** Align the trim ball bearings with the inner edge of the plaster ring.



**2** Push the trim into the plaster ring so that the ball bearings snap into the plaster ring walls.



7400 Linder Ave., Skokie, IL 60077  
 T 847.410.4400 | F 847.410.4500  
[www.techlighting.com](http://www.techlighting.com)