

E3 Flanged Trims

1.0



ELEMENT

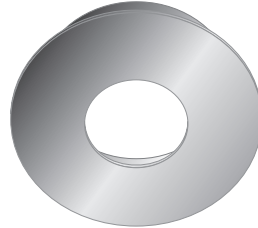
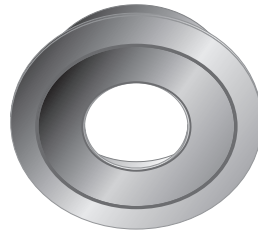
GENERAL PRODUCT INFORMATION:



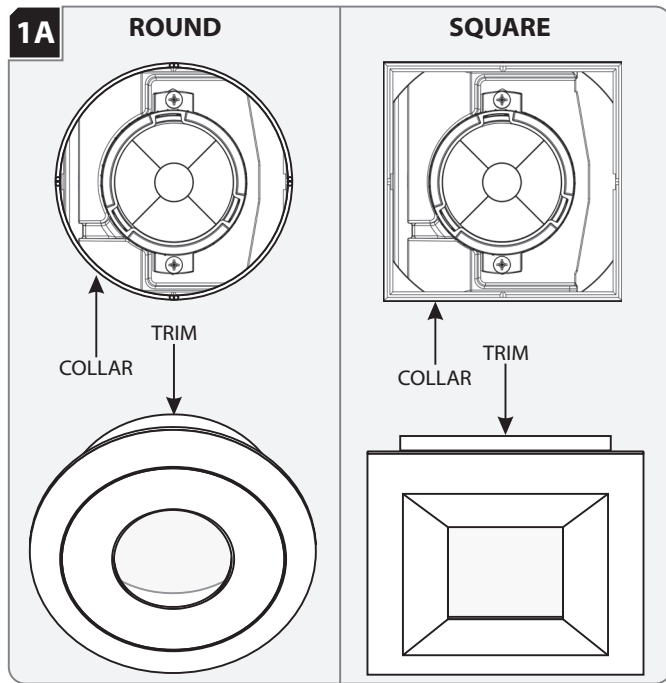
This product is suitable for indoor locations.

This instruction shows a typical installation.

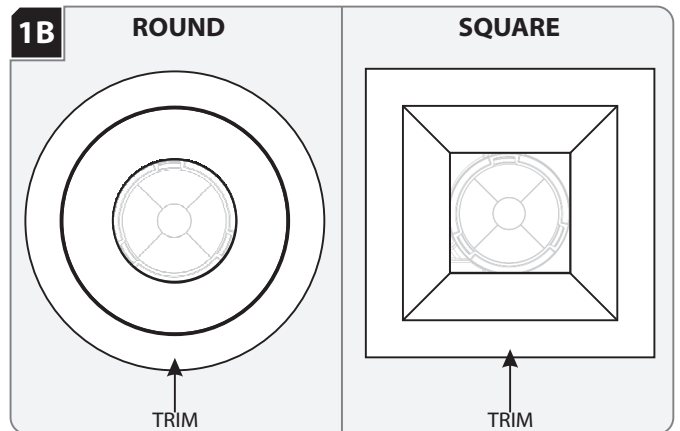
SAVE THESE INSTRUCTIONS!



Install the Trim



1 Align the trim with the inner edge of the collar.



2 Push the trim into the collar until it snaps into the collar walls.



7400 Linder Ave., Skokie, IL 60077
T 847.410.4400 | F 847.410.4500
www.techlighting.com