

# ECHO GRANDE PENDANT

## PRODUCT FEATURES

- Clear and Smoke color options provide style to your space
- Perfect for creating custom chandeliers popular in today's interior design trends
- Complementary Mini Echo, Echo and Echo wall sconce light also available from Tech Lighting
- Fully dimmable LED lamping option creates the desired ambiance in your unique space
- Ships with 6 feet of field-cuttable cord for optimal length customization
- Protected by a 1-year warranty



Clear



Clear



Smoke

## LAMPING

Rated for (1) 75 watt, E26 medium base lamp (Lamp Not Included). LED includes 120 volt 9.5 watt, 706.9 delivered lumen, 2700K, medium base LED A19 lamp. Dimmable with most LED compatible ELV and TRIAC dimmers. Fixture is provided with six feet of field-cuttable cable. Bronze supplied with bronze coax. Black, satin nickel and white finishes supplied with clear cord.

## ORDERING INFORMATION

700	SYSTEM	ECCP	COLOR	FINISH	LAMP
	TD LINE-VOLTAGE PENDANTS/SUSPENSION		C CLEAR K SMOKE	S SATIN NICKEL	NO -LED927 A19 LED 90 CRI 2700K 120V (T20/T24)

700 \_\_\_\_\_ ECCP \_\_\_\_\_

JOB NAME \_\_\_\_\_

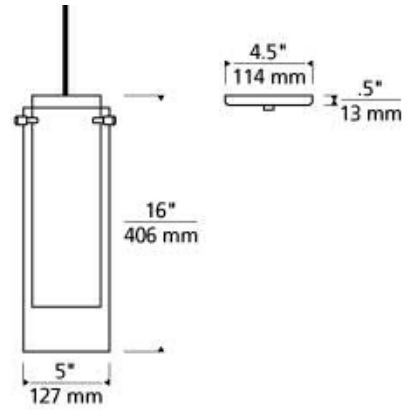
NOTES \_\_\_\_\_



# ECHO GRANDE PENDANT

## SPECIFICATIONS

HARDWARE MATERIAL	Metal
SHADE MATERIAL	Glass
NET WEIGHT	5 lbs
HEIGHT	16in
WIDTH	5in
LENGTH	5in
UP LIGHT / DOWN LIGHT / BOTH?	
WET LISTED	
DAMP LISTED	Yes
DRY LISTED	
MIN. HANGING HEIGHT	22.5in
MAX HANGING HEIGHT	88.5in
TOTAL CORD LENGTH	72in
TOTAL STEM LENGTH	
STEM QTY	
SLOPED CEILING ADAPTABLE?	Yes 45° Max
GENERAL LISTING	ETL Listed
INCLUDES	



## LAMPING SPECIFICATIONS

	LED LAMP	INTEGRATED LED	NON LED	NO LAMP
DELIVERED LUMENS	707			
WATTS	9.5			
MAX WATTAGE PER BULB	75W			75W
INPUT VOLTAGE	120V			120V
DIMMING TYPE*	ELV, TRIAC			ELV, TRIAC
CCT	2700K			
CRI	90 CRI			
LED LIFETIME				
L70	>25000			
AVERAGE BULB HOURS				
FIELD SERVICEABLE LED				
LAMP BASE	E26 Medium Base			E26 Medium Base
LAMP SHAPE	A19			A19
LAMP INCLUDED?	Y			N
WARRANTY**	1 Year			1 Year

\* Dimming information available at [www.techlighting.com/Downloads#dimming](http://www.techlighting.com/Downloads#dimming)  
 \*\* Visit [techlighting.com](http://techlighting.com) for specific warranty limitations and details.

## T20 / T24 INFORMATION

	Integrated LED	Replacement LED Lamp	No Lamp *
This product can be used to comply with California Building Energy Efficiency Standards 2016 <b>Title 24</b> Part 6.		Yes	N/A
This product can be used to comply with California Appliance Efficiency Standards 2016 <b>Title 20</b> and may be shipped to and sold in California.		Yes	N/A

\* If a light fixture or component does not include a lamp or light source, it is the responsibility of the customer to select a lamp that meets the T24 and T20 requirements.

