

Trellis

700TRSSC | 1.0

TECH LIGHTING®

MULTI-PORT

GENERAL PRODUCT INFORMATION:

These fixtures are intended to be installed utilizing NEC compliant junction boxes.



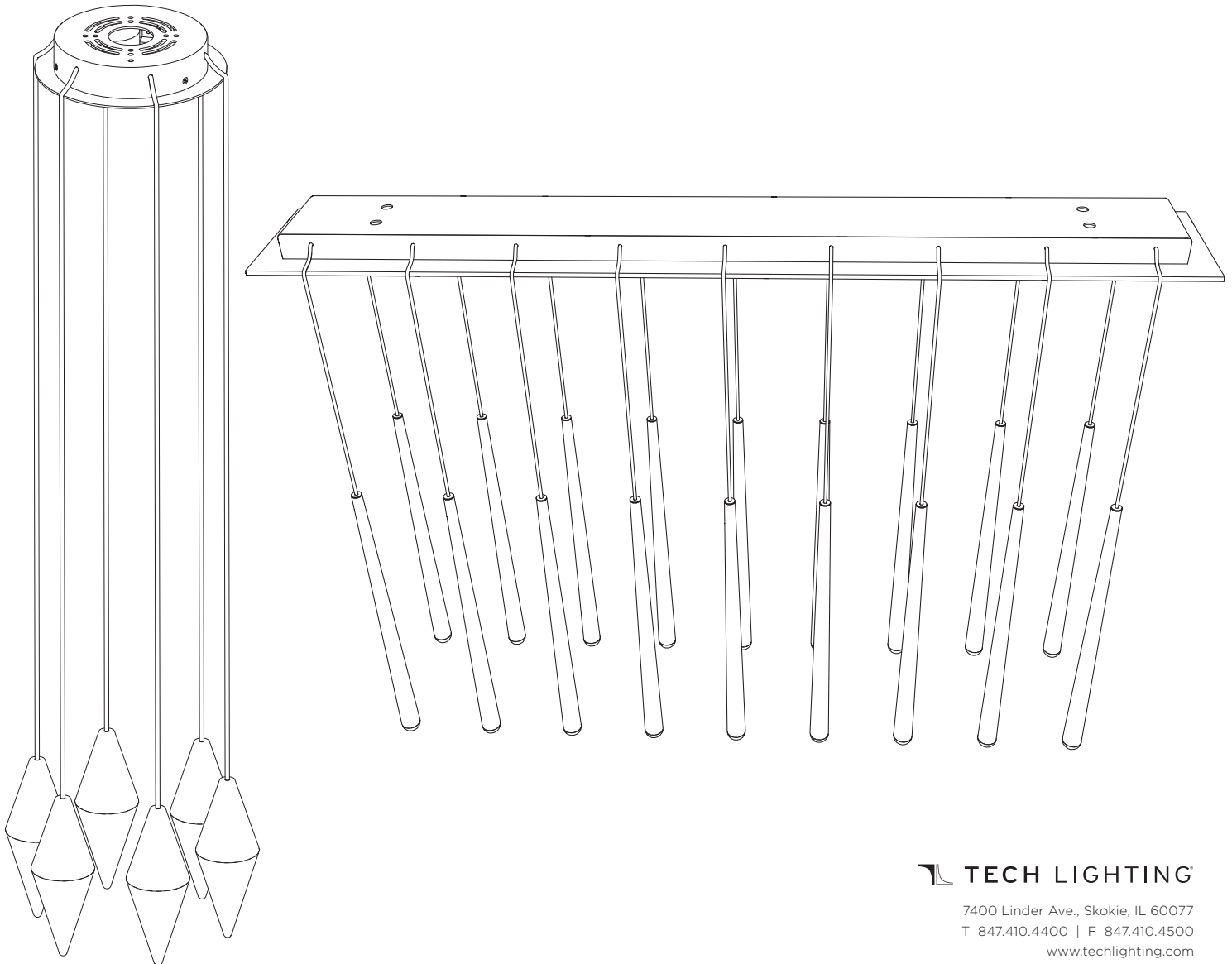
This product is suitable for damp locations.

For dimming info, please see pendant spec sheet at: www.techlighting.com.

This instruction shows a typical installation.

CAUTION - RISK OF FIRE
 This product must be installed in accordance with the applicable installation code by a person familiar with the construction and operation of the product and the hazards involved.
Use minimum 90°C supply conductors.

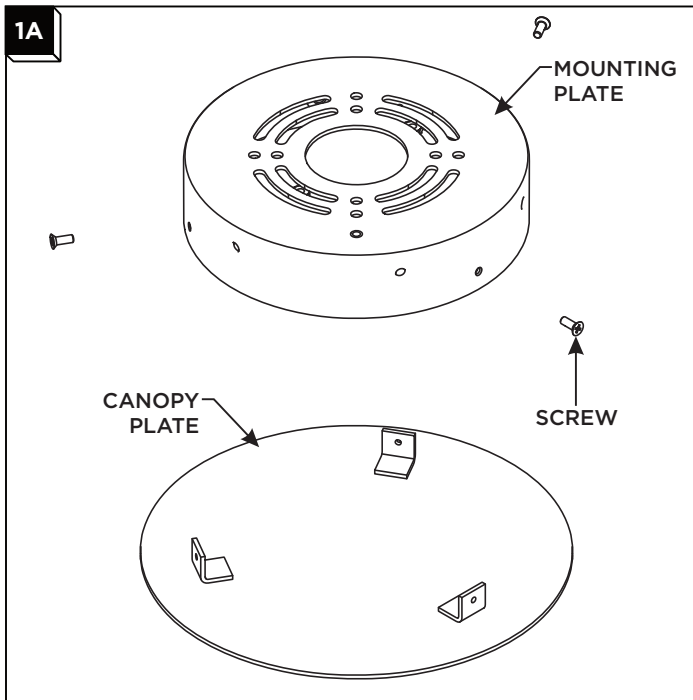
SAVE THESE INSTRUCTIONS!



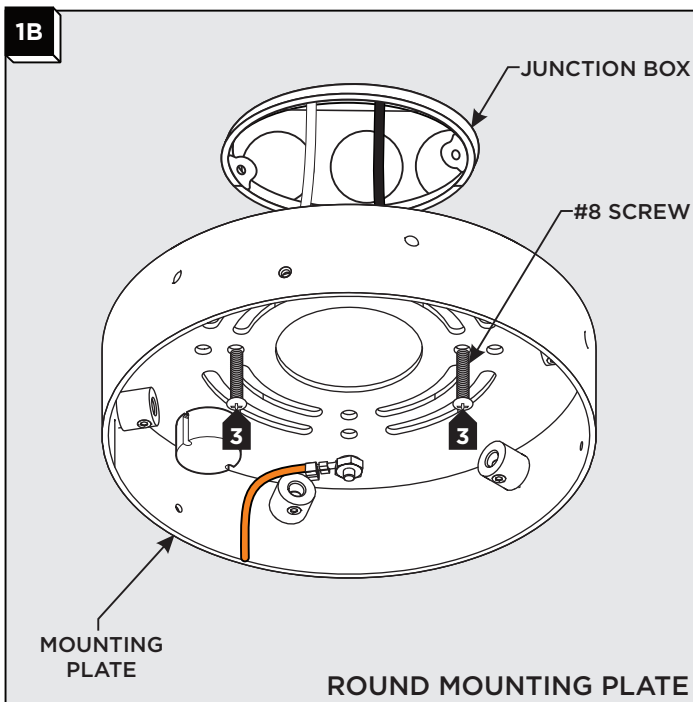
TECH LIGHTING®

7400 Linder Ave., Skokie, IL 60077
T 847.410.4400 | F 847.410.4500
www.techlighting.com

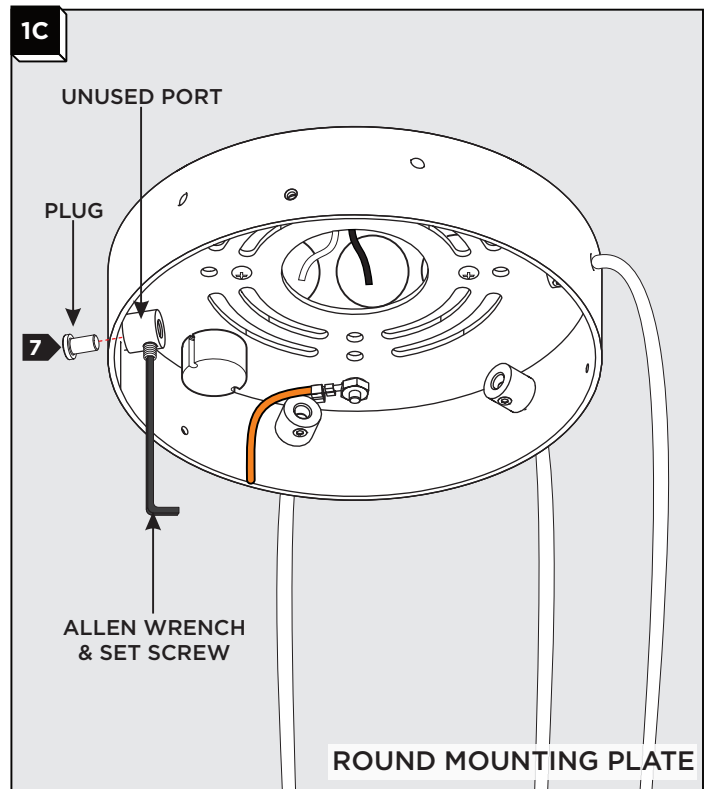
Install the Canopy (4, 6, and 8 Port)



- 1** Remove the canopy plate from the mounting plate by removing the screws around the mounting plate.



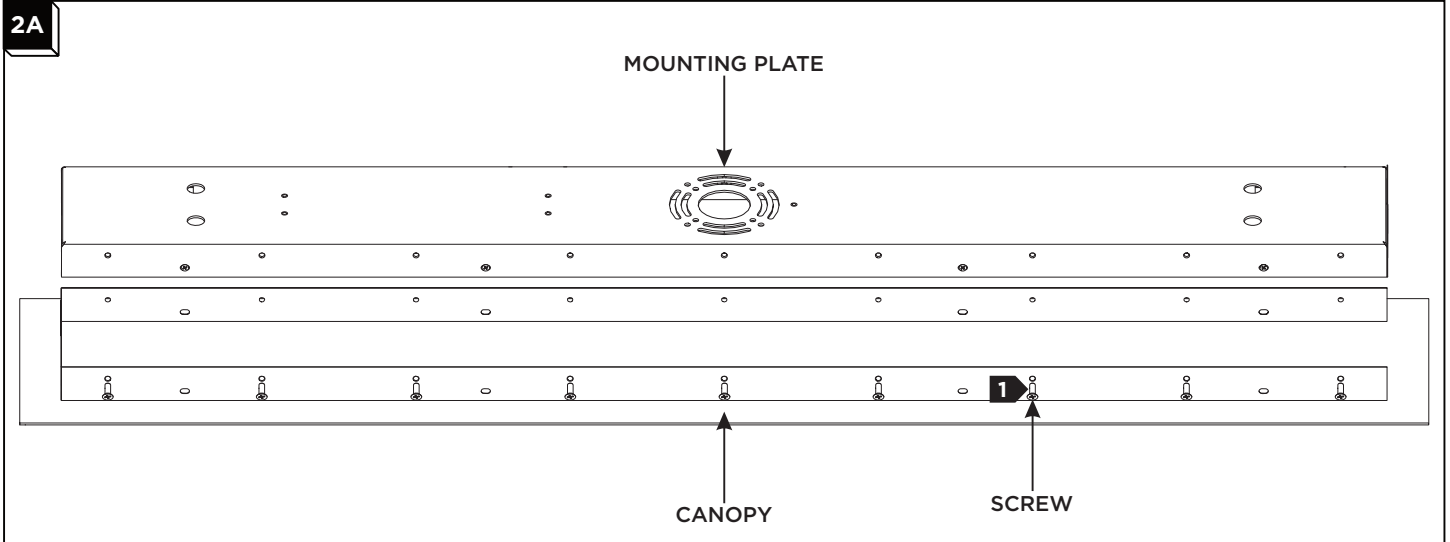
- 2** For rectangular canopies, Skip to step 1D.
- 3** Secure the mounting plate to the junction box with the #8 screws provided. Reposition the drivers inside the canopy if necessary. **Skip to Step 2A.**



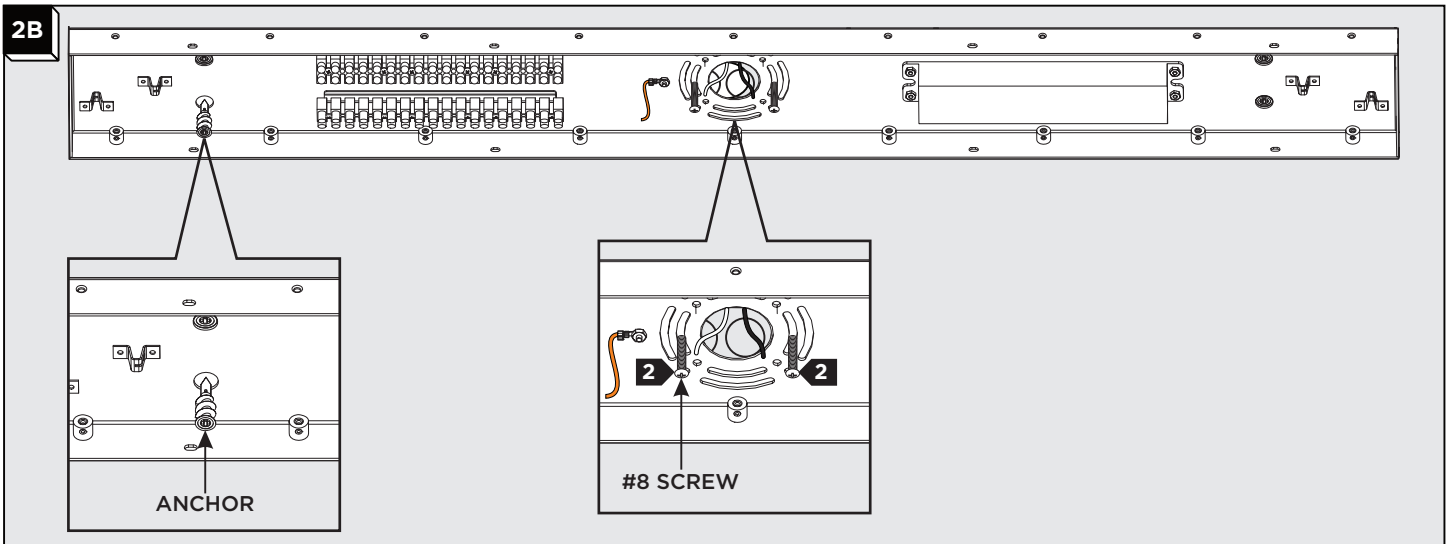
NOTE: Unused ports that will not be connected to a pendant must be capped. Follow the instructions below to properly cap an unused port.

- 4** Loosen the set screw on the port collar.
- 5** Cut the cord short enough to tuck inside the canopy and pull the cord through the collar.
- 6** Cover the end of the cord with electrical tape and tuck inside the canopy.
- 7** Place plug into the port collar flush with the canopy housing and tighten set screw.

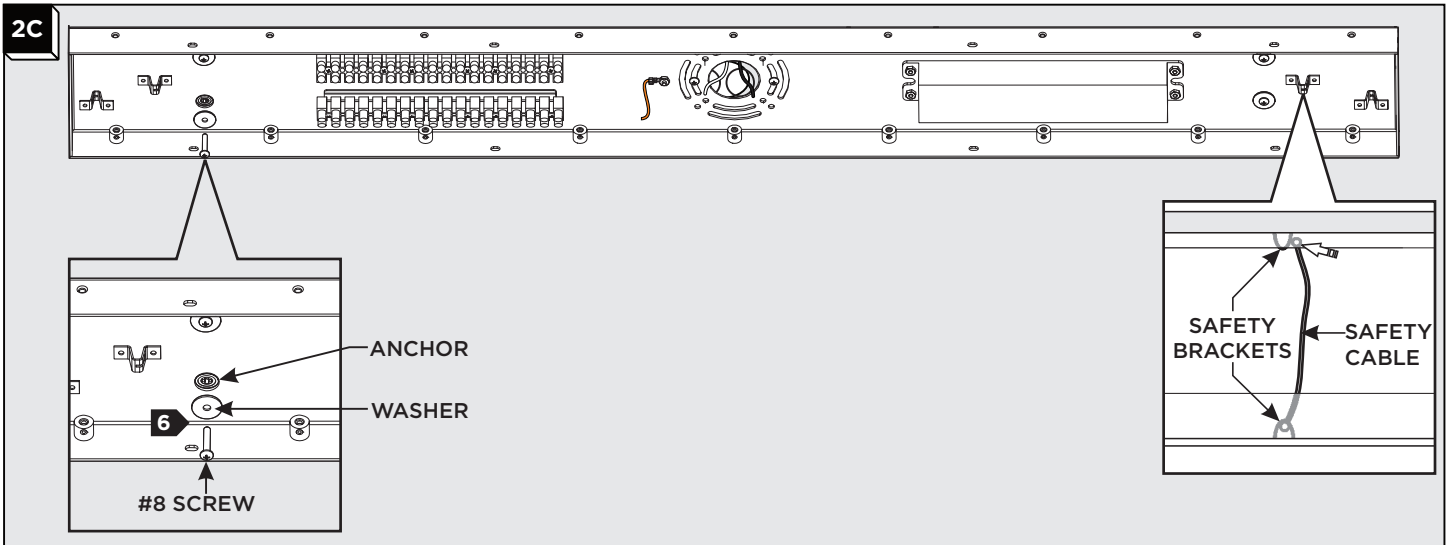
Install the Canopy (18 and 27 Port)



- 1 Remove the mounting plate from the canopy by removing the screws around the canopy.



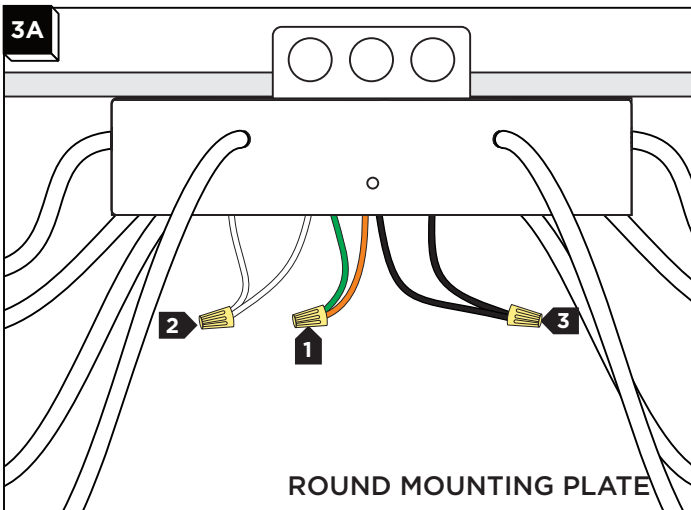
- 2 Secure the mounting plate to the junction box with the #8 screws provided
- 3 Verify that the mounting plate is level before continuing.
- 4 Line up an anchor tip with the center a mounting plate hole, and push the anchor into the ceiling up to the threads.
- 5 Screw the anchors in the rest of the way with a Phillips-head screwdriver.



- 6** Slide a #8 screw through a washer and screw it into an anchor.
- 7** Repeat for the other anchor(s) to secure the mounting plate to the ceiling.
- 8** Unused ports that will not be connected to a pendant must be capped. Follow the instructions on Page 2 to properly cap an unused port.

Note: For rectangular canopies (18 or 27 port), the safety cord can be used to hold the bottom plate to ease installation.

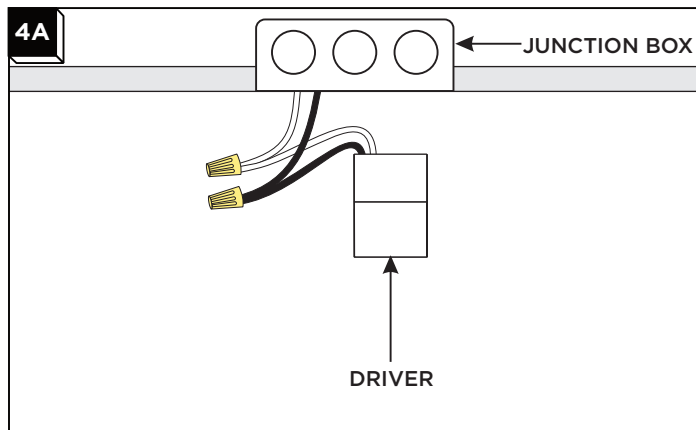
Connect the Power



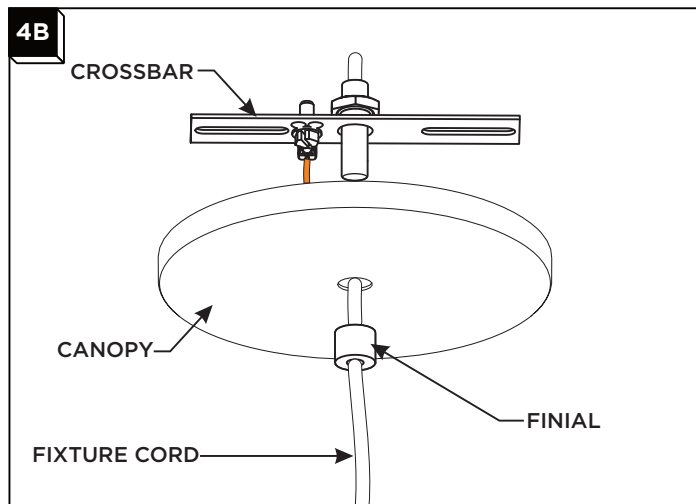
- 1** Connect the fixture to a suitable ground in accordance with local electrical code.
- 2** Connect the hot wire to the black fixture wire using wire nuts.
- 3** Connect the neutral wire to the white fixture wire using wire nuts.
- 4** Neatly tuck the all wires and wire nut connections into the canopy housing and secure the canopy plate to the mounting plate (reversal of step 1A).

NOTE: Do not restore power to the fixture until all pendants have been connected or unused ports have been capped.

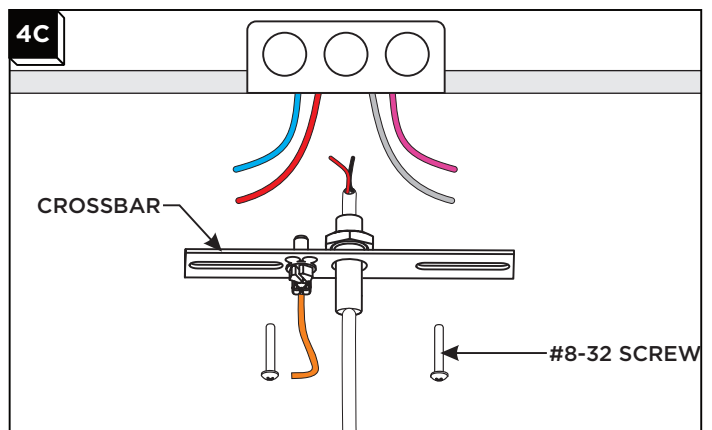
Install the 4" Flush Canopy



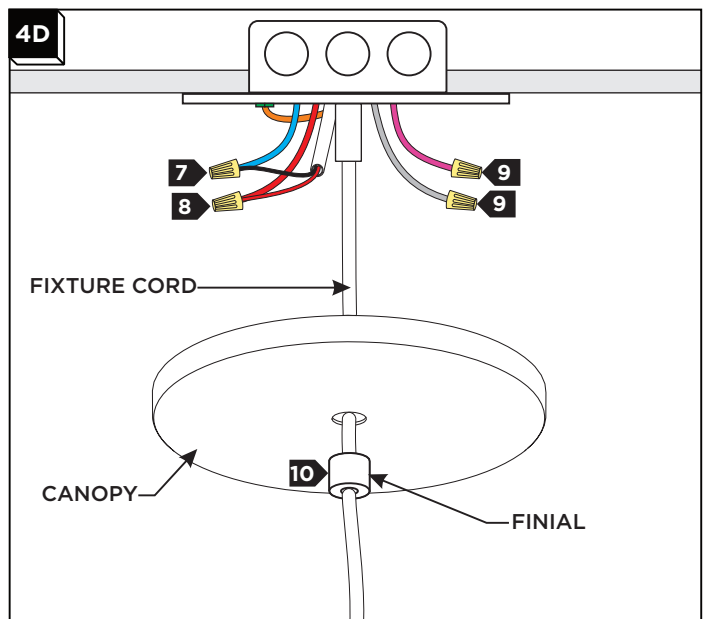
- 1** Connect the white driver wire to the neutral power line with a wire nut.
- 2** Connect the black driver wire to the hot power line with a wire nut.
- 3** Properly place the driver, all wires, and wire nut connections into the junction box



- 4** Unscrew the finial and drop the nut and canopy down along the cord.

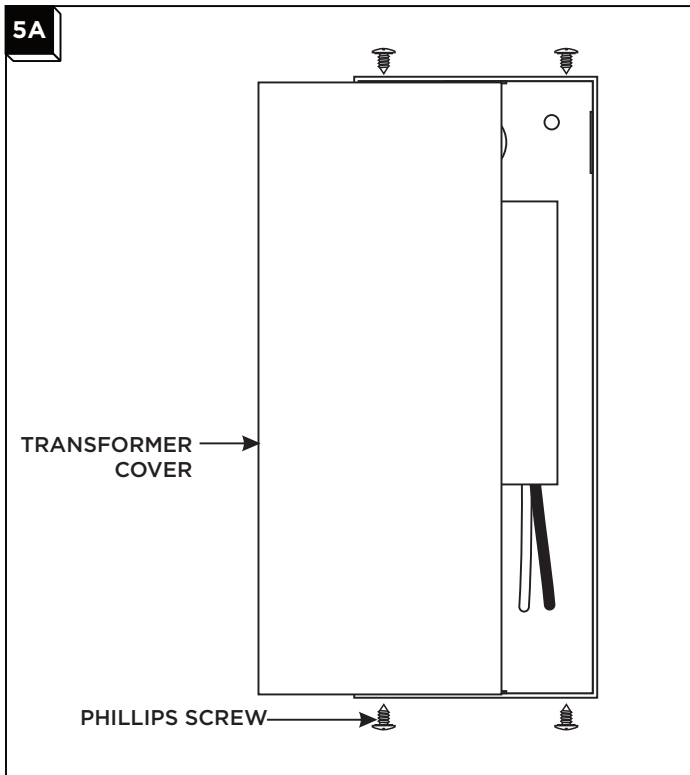


- 5** Secure the crossbar to the junction box with the #8-32 Screws.
- 6** Connect the fixture to a suitable ground in accordance with local electrical codes.



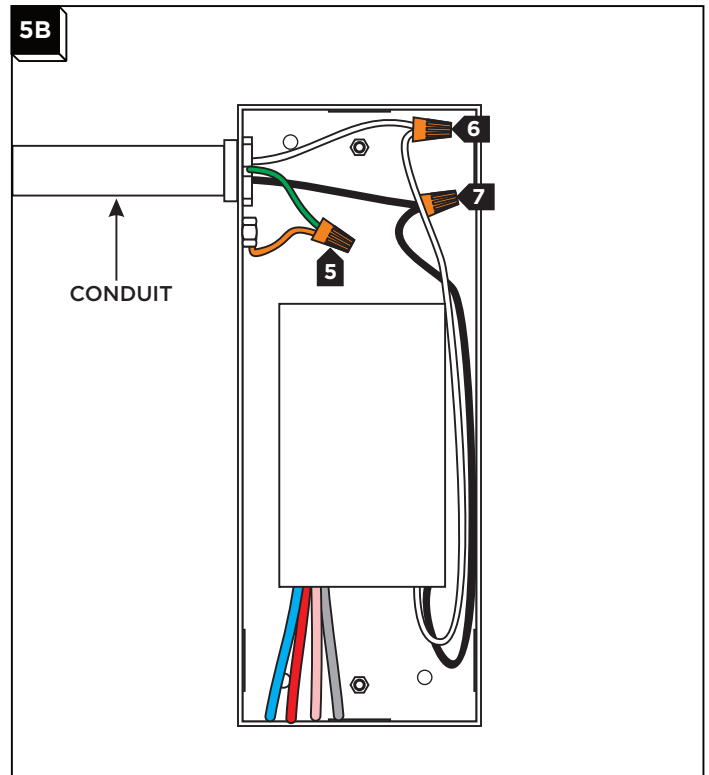
- 7** Connect the blue driver wire to the black fixture wire using a wire nut.
- 8** Connect the red driver wire to the red fixture wire using a wire nut.
- 9** For dimming, use the pink/purple and gray wires to connect to a compatible dimmer. Cap these wires off if not in use.
- 10** Neatly tuck the wire nut connections into the electrical box, slide the canopy plate up along the cord and secure against the ceiling using the finial.

Install the Remote Transformer

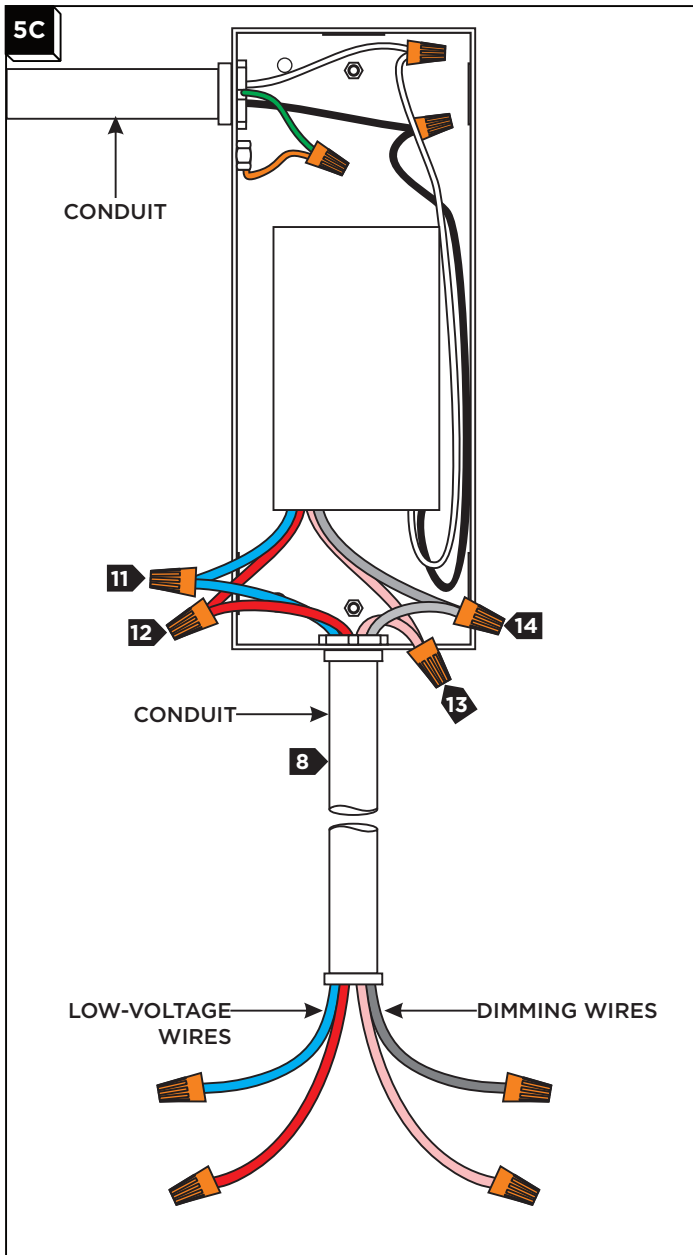


NOTE: For best performance, locate the transformer such that the length of the wiring between the transformer and the fixture does not exceed 500 feet.

- 1 Remove the four Phillips screws to remove the transformer cover.



- 2 Secure the transformer housing in place (hardware not included).
- 3 Install a conduit and power line wires from the panel to the remote transformer.
- 4 Do not connect the power line wires to the panel at this time.
- 5 Make sure the transformer housing is grounded in accordance with local electrical codes.
- 6 Connect the transformer white wire to the neutral power line wire with a wire nut.
- 7 Connect the transformer black wire to the hot power line wire with a wire nut.



- 8** Install a conduit from the transformer to the fixture installation location.
- 9** For best performance, use minimum #14 GA wires, max. length 500 feet

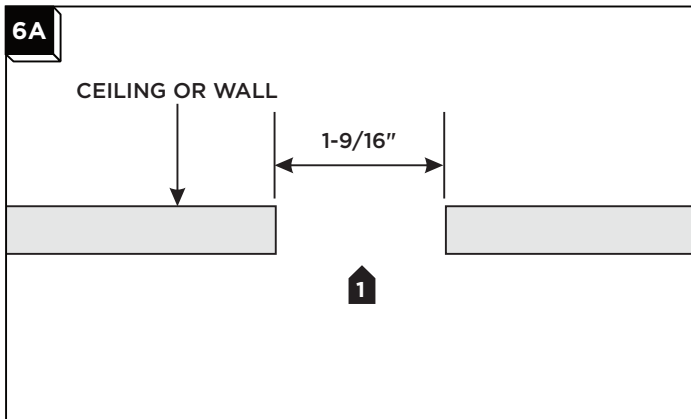
NOTE: Other wire sizes that comply with electrical code can be used, but may result in an increased voltage drop and reduced lamp intensity.

- 10** Install the low-voltage wires from the transformer to the fixture installation location. **If using dimming,** install two additional wires. **If not using dimming,** make sure to cap these wires off.
- 11** Connect the blue transformer wire to the blue low-voltage wire with a wire nut.
- 12** Connect the red transformer wire to the red low-voltage wire with a wire nut.

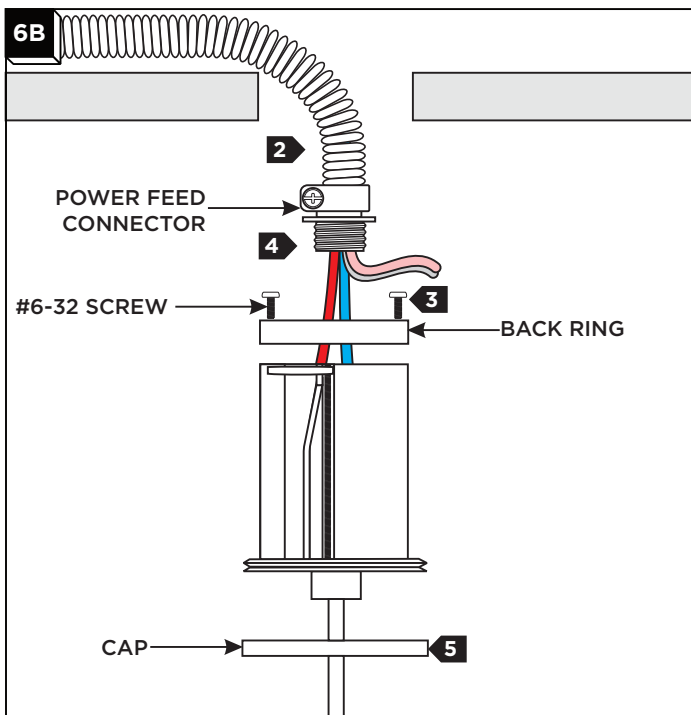
NOTE: If not using dimming, skip to step 15.

- 13** Connect the pink/purple transformer wire to a pink/purple low-voltage wire with a wire nut.
- 14** Connect the gray transformer wire to a gray low-voltage wire with a wire nut.
- 15** Neatly tuck in all the wire connections into the transformer housing and reinstall the transformer cover (reversal of 5A).

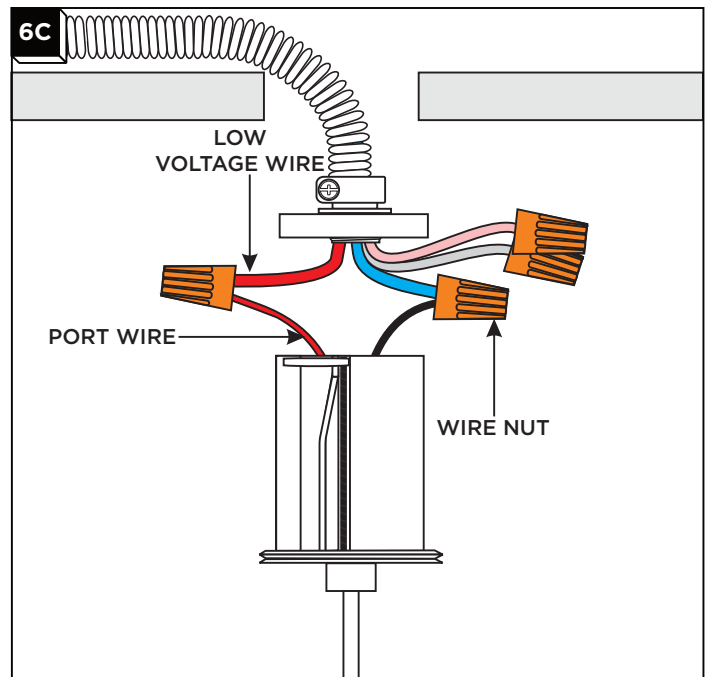
Install the Single Port Alone



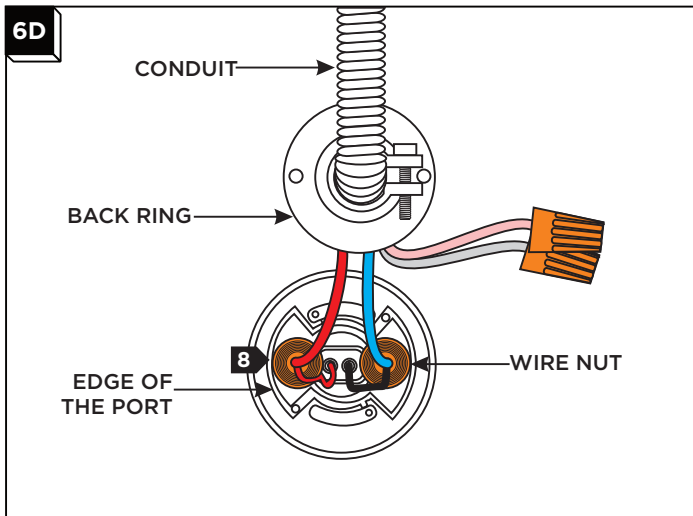
- 1 Use a 1-9/16" hole saw to cut out the ceiling or wall where the ports are going to be installed.



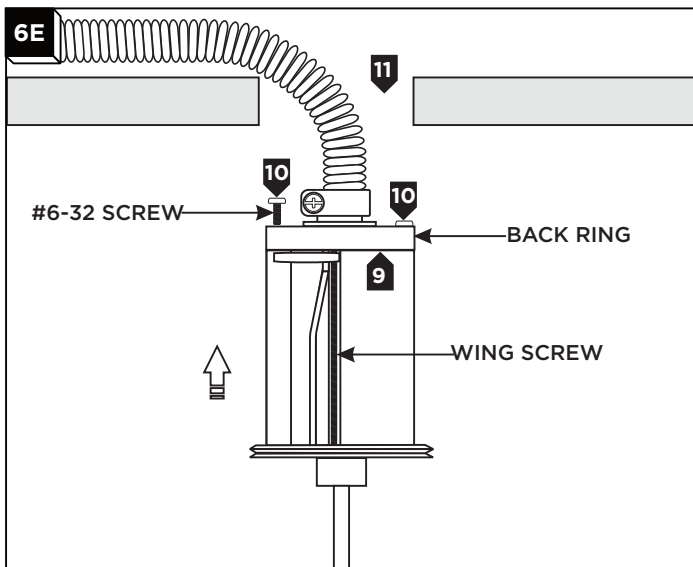
- 2 Bring the low-voltage wires to the ceiling opening.
- 3 Unscrew the #6-32 screws to remove the back ring.
- 4 Screw the back ring (from the face with two holes) to the power feed connector.
- 5 Unscrew the cap from the port.



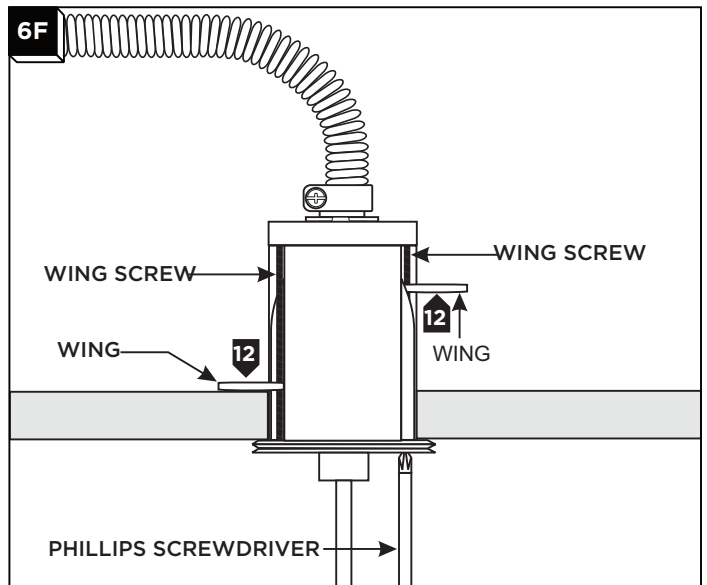
- 6 Cut the port wires so that 1-1/2" of it is exposed and strip the port wires.
- 7 Connect the red low-voltage wire to the red port alone wire with the provided wire nut.
- 8 Connect the blue low-voltage wire to the black port alone wire with the provided wire nut.
- 9 **For dimming**, use the pink/purple and gray wires to connect to a compatible dimmer. **If not using dimming**, make sure to cap these wires off.



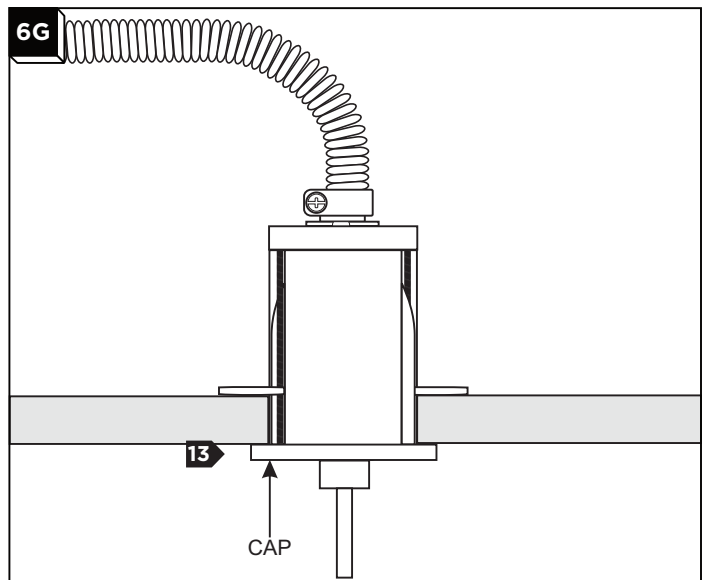
- 8** Place the wire nut connections and the port wires properly inside the port. Make sure that the port and low voltage wires are cleared from the edge of the port.



- 9** Replace the back ring onto the port so that end of the wing screws are properly placed into the two blind holes.
- 10** Replace and tighten the #6-32 set screws to secure the back ring onto the port.
- 11** Push the port completely into the hole.

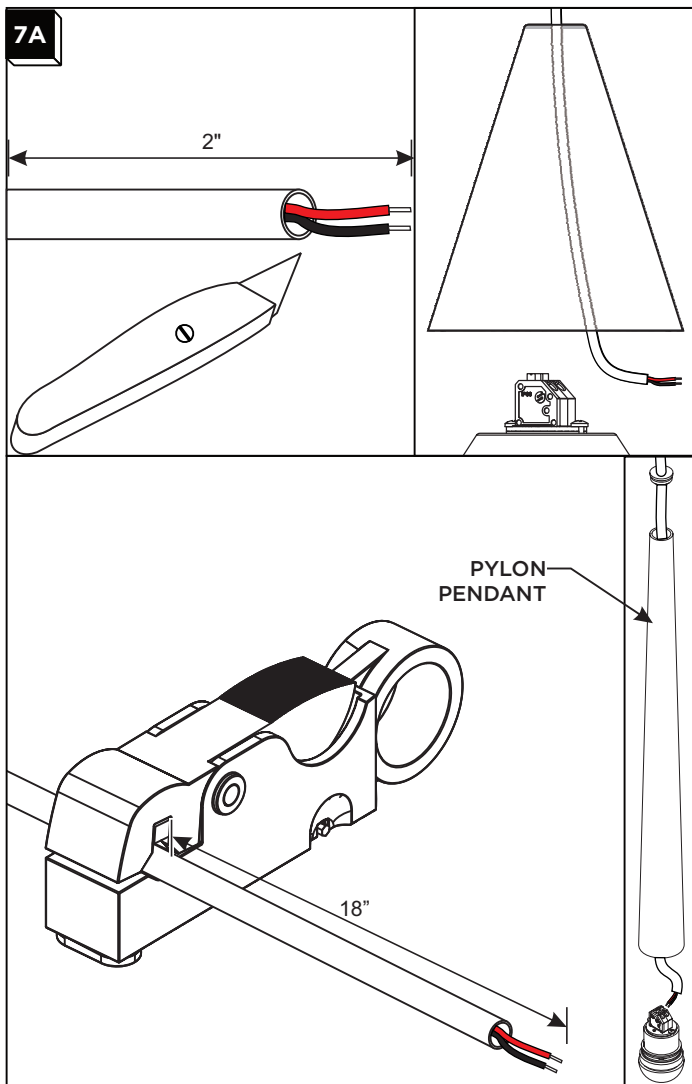


- 12** Tighten the two phillips screws with a Phillips screwdriver (an electrical screwdriver will speed up the process) until the wings secure the port into the hole.



- 13** Replace and tighten the cap.
- 14** Repeat steps 1 through 13 for each port.

Cut the Pendant Cords



- 1 Measure the length of cord required to hang the pendant at the desired height and cut the cord. **For Pylon Series**, leave approximately 18" for internal wiring. **For all other Head Series**, leave approximately 2" extra length for internal wiring.
- 2 Cut the insulation along the length of the cord, starting approximately 2" from the end, then cut the insulation around the diameter of the cord using the provided cable stripper. Remove the insulation and pull out the red and black conductors. Cut away the extra insulation and reinforcing fiber and strip the conductors approx. 3/8" from the ends.

If not using accessories, skip to Section 12 to install the pendant. If using accessories, refer to the appropriate section:

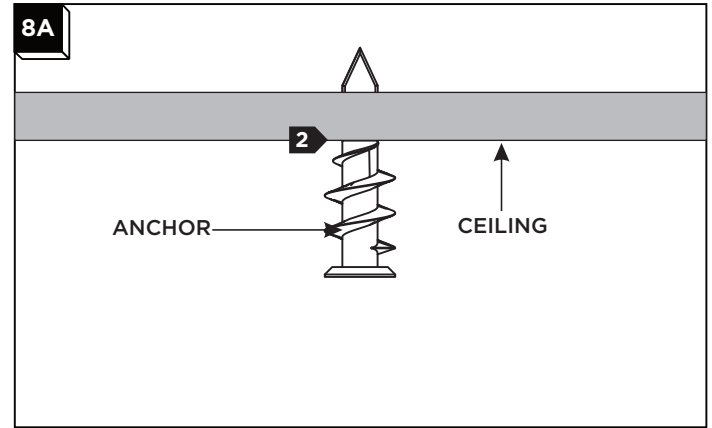
Using the Swag Hook - Section 8A

Using the Bridge Connector - Section 9A

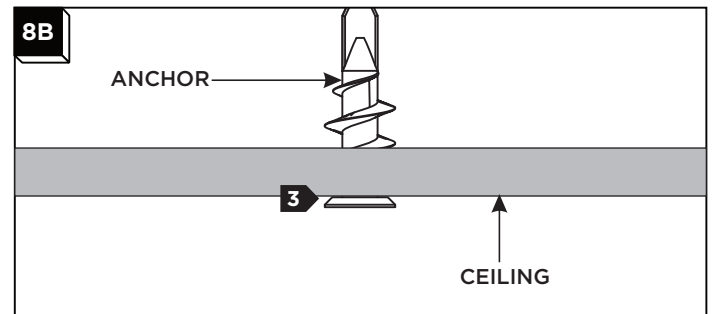
Using the Pendant Accessory - Section 10A

Using the Cord Guides - Section 11A

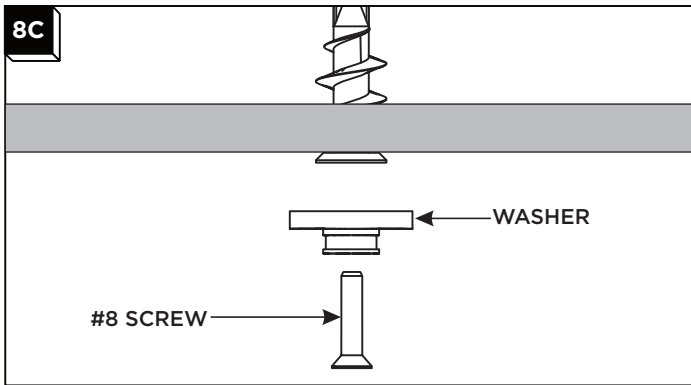
Mount the Swag Hook



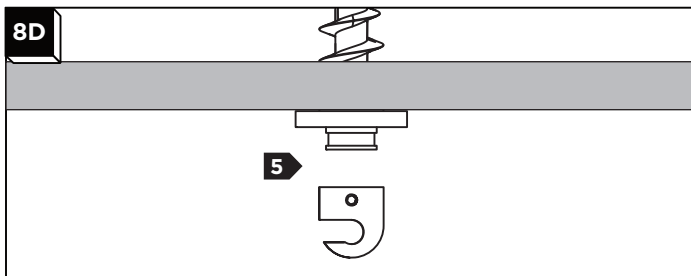
- 1 Mark a point on the ceiling near the pendant fixture where the swag hook is to be mounted.
- 2 Tap the anchor at the marked point into the ceiling up to the threaded portion with a hammer.



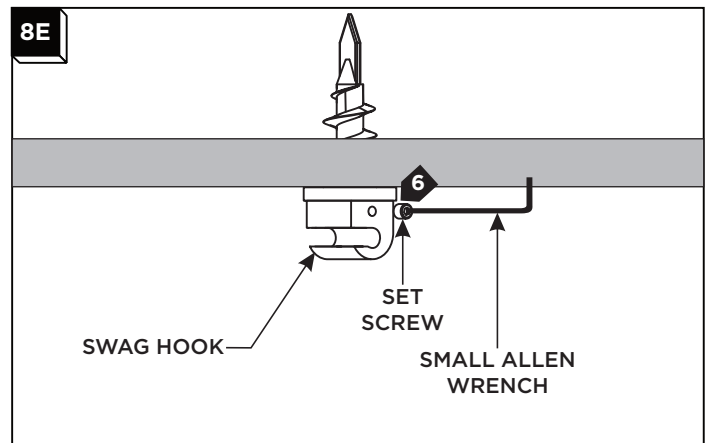
- 3 Screw the anchor in the rest of the way with a Phillips screwdriver.



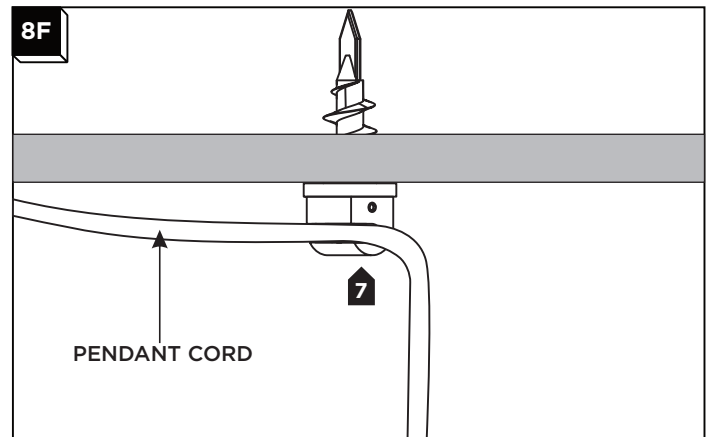
4 Mount the washer to the anchor with the #8 screw.



5 Hold the swag hook onto the washer and rotate it to the desired direction.



6 Secure the swag hook to the washer by tightening the set screw using the provided Allen wrench.



7 Hook the pendant cord into the swag hook and allow the pendant to hang freely.

If not using more accessories, skip to Section 12 to install the pendant. If using accessories, refer to the appropriate section:

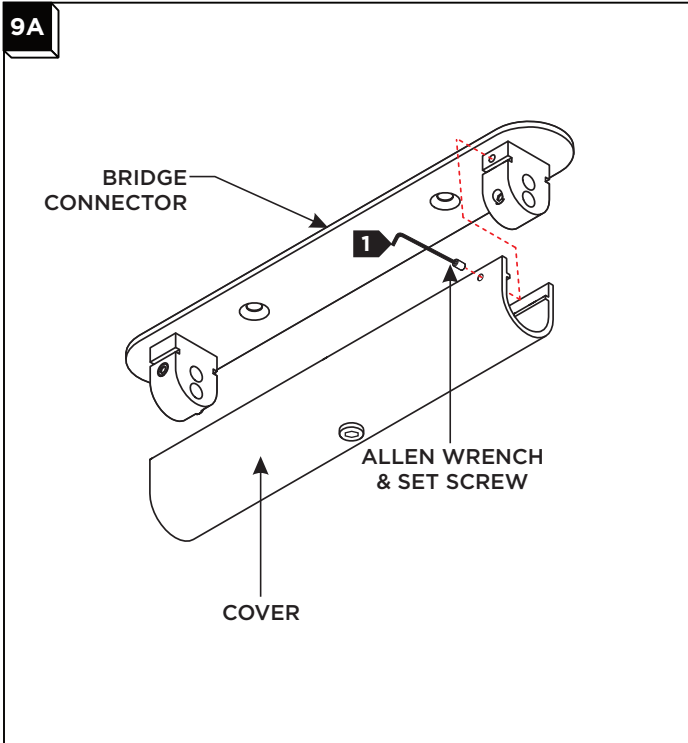
Using the Swag Hook - Section 8A

Using the Bridge Connector - Section 9A

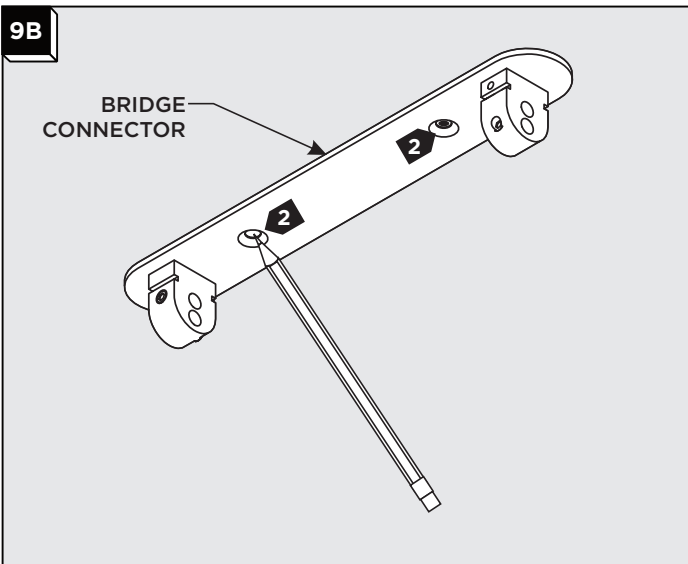
Using the Pendant Accessory - Section 10A

Using the Cord Guides - Section 11A

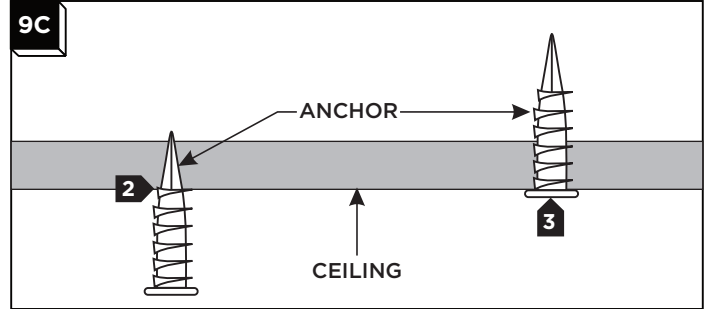
Install the Bridge Connector



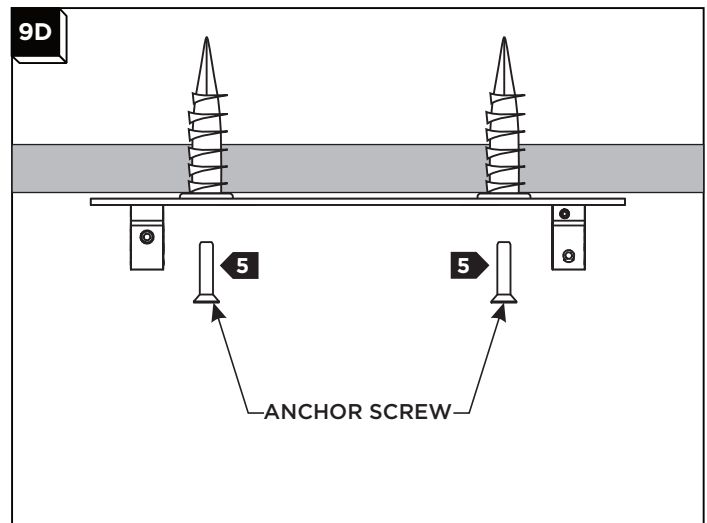
- 1 Remove the cover by unscrewing the Allen screw using the provided Allen wrench.



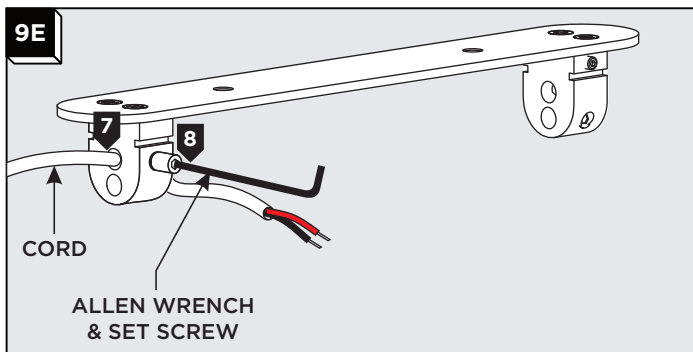
- 2 Mark the anchor points on the ceiling through the holes on the bridge connector near where the bridge connector is to be mounted.



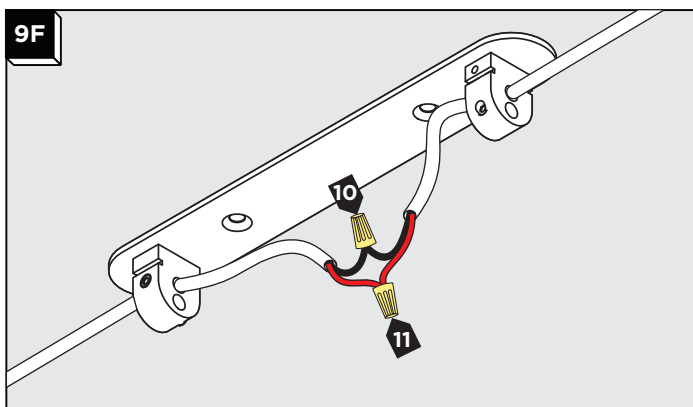
- 3 Tap the anchor at the marked point into the ceiling up to the threaded portion with a hammer.
- 4 Screw the anchor in the rest of the way with a Phillips screwdriver.



- 5 Screw the anchor screws through the bridge connector and into the anchors.
- 6 Cut the insulation along the length of the cord, starting approximately 2" from the end, then cut the insulation around the diameter of the cord. Remove the insulation and pull out the red and black conductors. Cut away the extra insulation and reinforcing fiber and strip the conductors approx. 3/8" from the ends.



- 7** Feed the fixture cord through the top hole leaving enough cord for wire nut connections later. Tighten the set screw against the cord using the provided Allen wrench to secure the cord.
- 8** Tighten the set screw using the provided Allen wrench to secure the cord.
- 9** Repeat steps 6-8 for additional cords. Use the lower holes on the end caps and/or the center hole in the cover (strain relief collar provided) to add additional pendants if desired. **NOTE:** MAX number of pendants is 6 per branch using 30W driver and 18 per branch using 100W driver.



- 10** Connect the black wires together using a wire nut
- 11** Connect the red wires together using a wire nut.
- 12** Neatly tuck all wires into the bridge connector and reinstall the cover (reversal of step 1A).

If not using more accessories, skip to Section 12 to install the pendant. If using accessories, refer to the appropriate section:

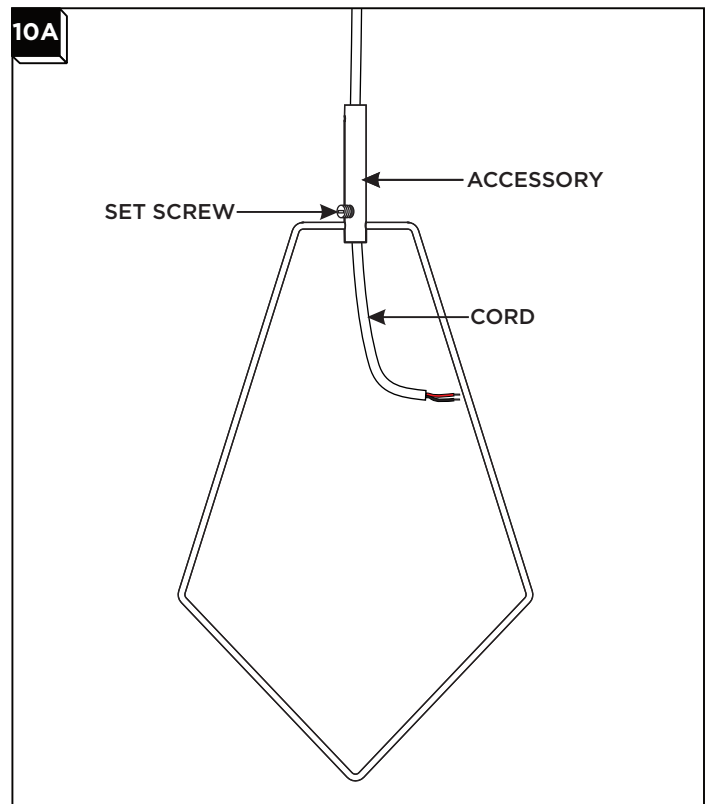
Using the Swag Hook - Section 8A

Using the Bridge Connector - Section 9A

Using the Pendant Accessory - Section 10A

Using the Cord Guides - Section 11A

Install the Pendant Accessory



- 1** Loosen the set screw on the accessory with an Allen wrench.
- 2** Insert the pendant cord through the accessory.
- 3** Feed cord into the accessory until desired appearance is obtained. Adjust as necessary.
- 4** Secure the cord by tightening the set screw.

Note: The accessory must be installed prior to the Trellis pendant head.

If not using more accessories, skip to Section 12 to install the pendant. If using accessories, refer to the appropriate section:

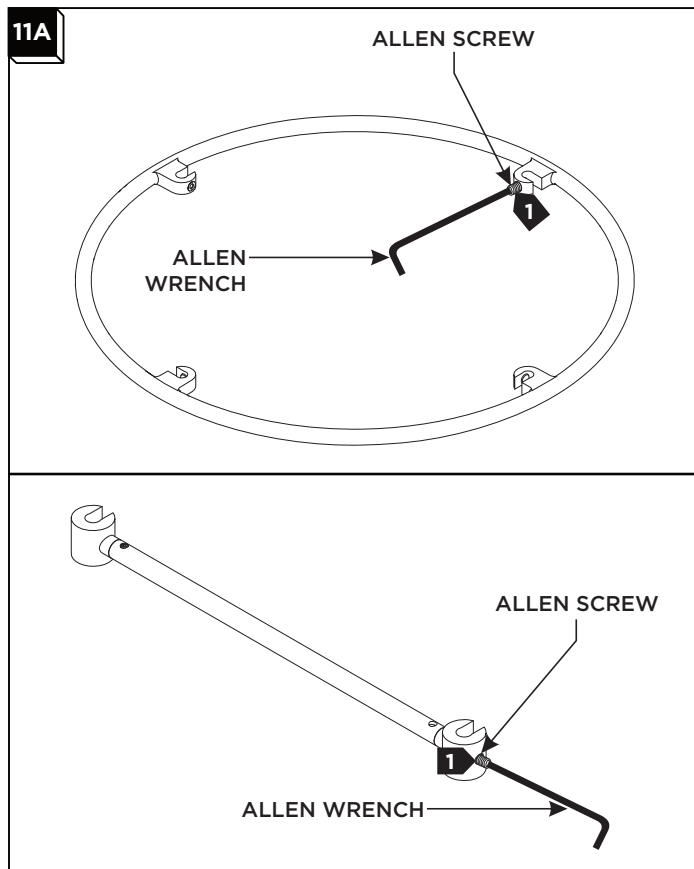
Using the Swag Hook - Section 8A

Using the Bridge Connector - Section 9A

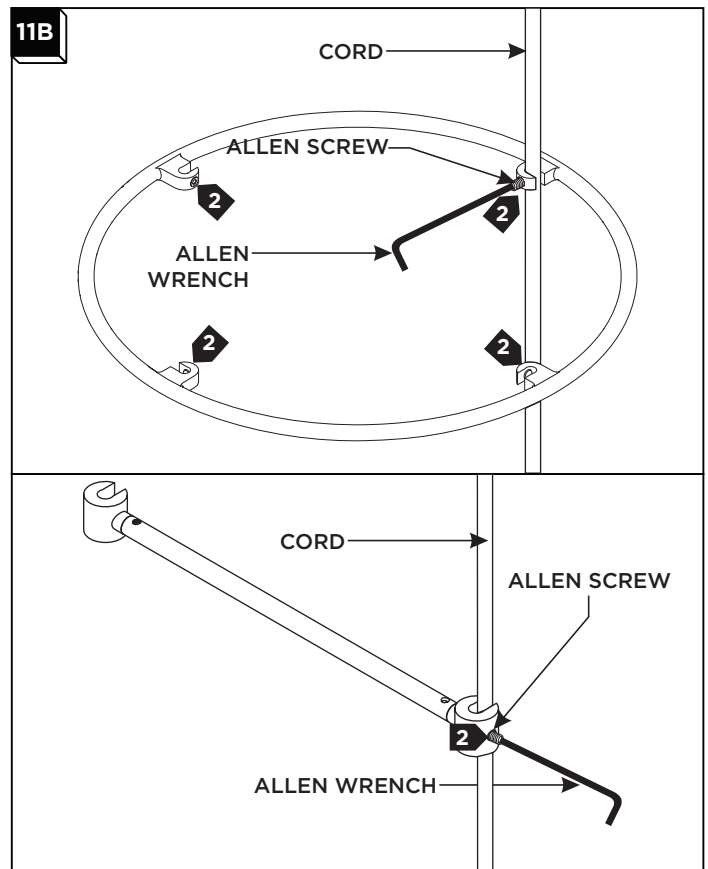
Using the Pendant Accessory - Section 10A

Using the Cord Guides - Section 11A

Install the Cord Guide



- 1 Loosen the set screw on the cord guide using the provided Allen wrench.



- 2 Feed a cord through the cord guide and secure in place by re-tightening the set screw using the provided Allen wrench.
- 3 Repeat steps 1 and 2 for remaining cords.

If not using more accessories, skip to Section 12 to install the pendant. If using accessories, refer to the appropriate section:

Using the Swag Hook - Section 8A

Using the Bridge Connector - Section 9A

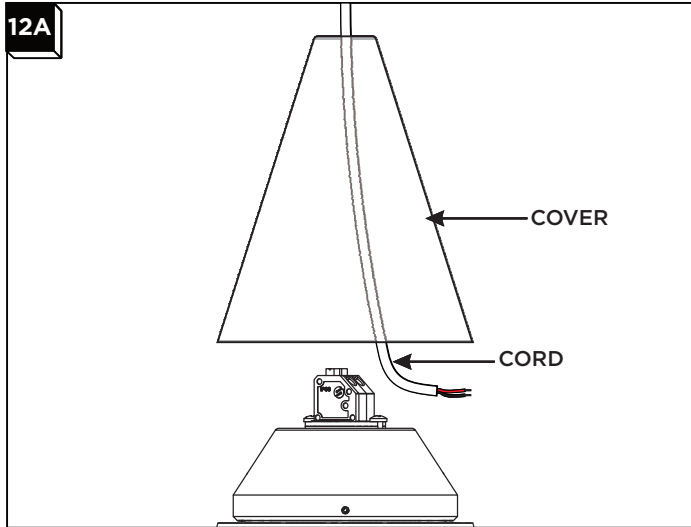
Using the Pendant Accessory - Section 10A

Using the Cord Guides - Section 11A

Install the Pendants

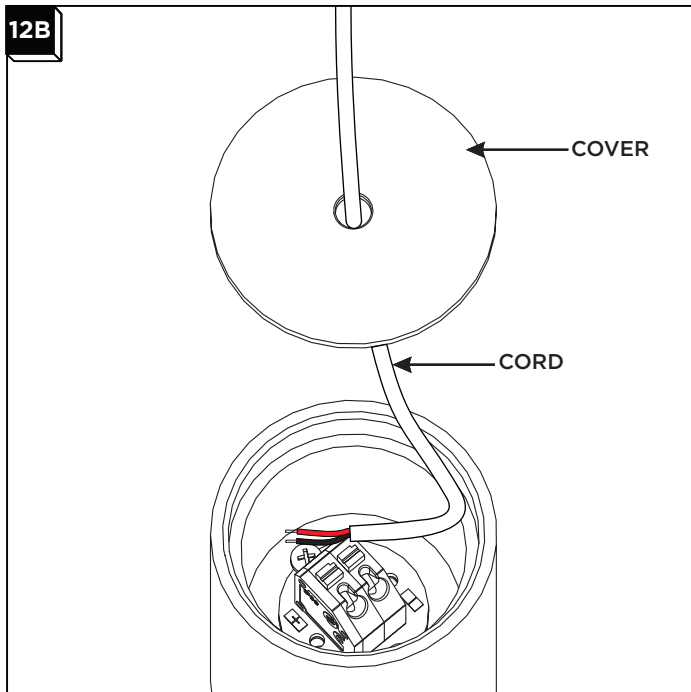
Refer to the step corresponding with your pendant.

Cupola and Turret Pendant



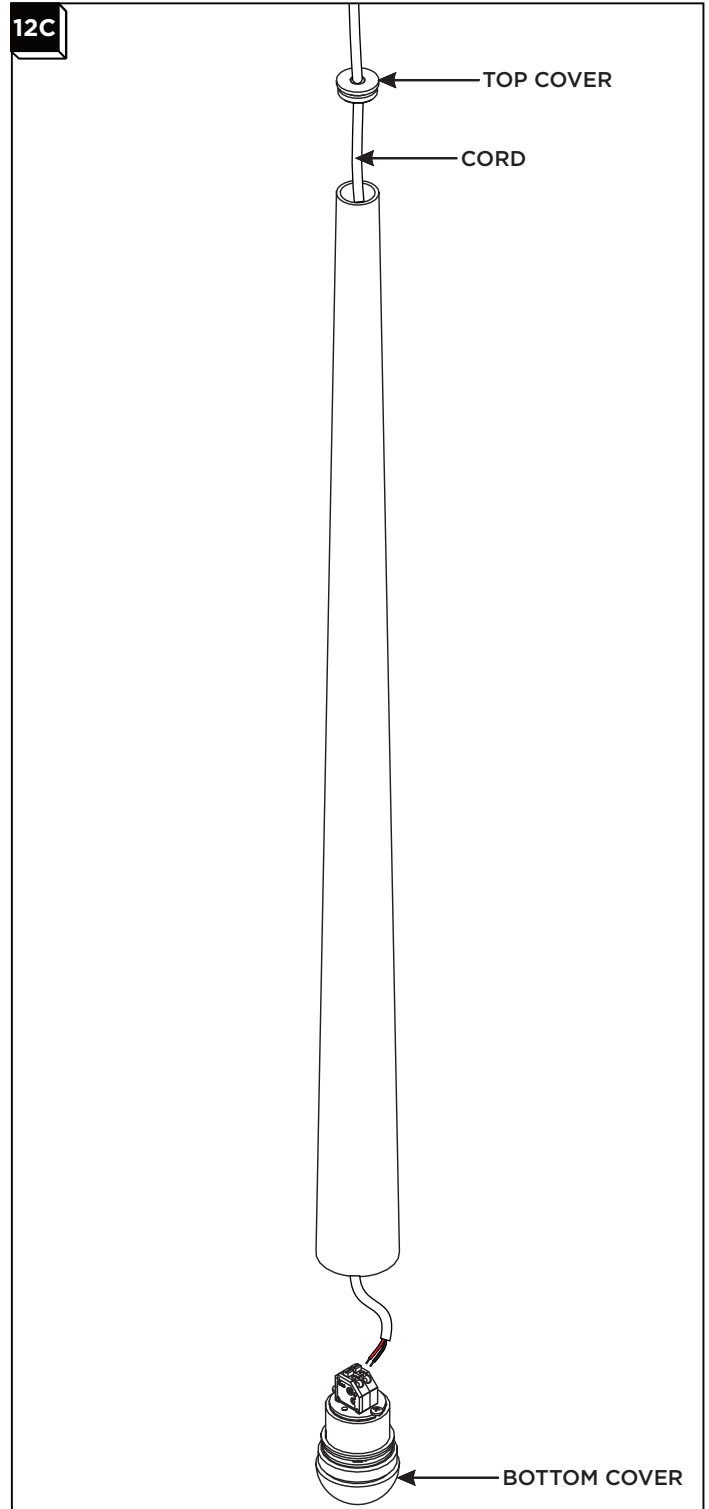
- 1 Unscrew and remove the cover at the top of the pendant, then feed the cord through the cover.
- 2 Skip to step 8E.

Eaves, Gable, and Guyed Pendant

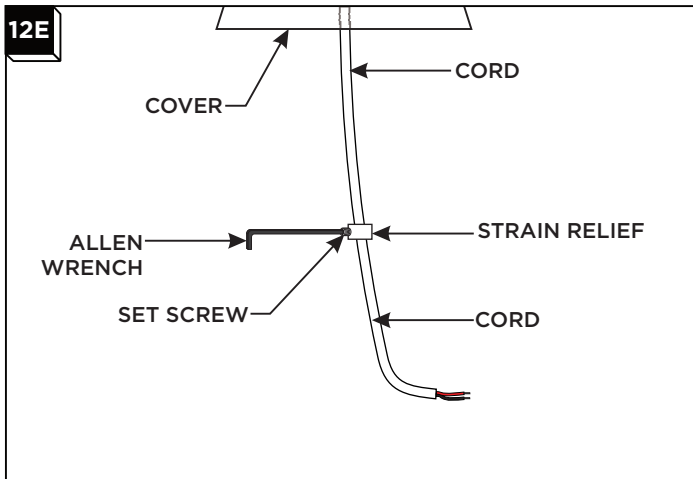


- 3 Unscrew and remove the cover at the top of the pendant, then feed the cord through the cover. **For Guyed Pendants**, the upper decorative sphere may be re-positioned or removed by loosening the set screw.
- 4 Skip to step 12E.

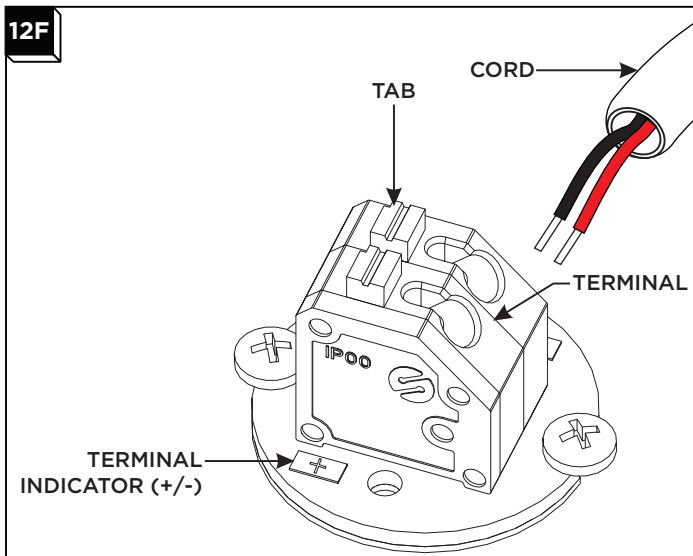
Pylon Pendant



- 5 Unscrew and remove the top cover and the bottom cover from the pendant, then feed the cord through the cover.
- 6 Skip to step 12E.



- 7 Slide the strain relief onto the cord and secure in place with the set screw at the desired position.
- 8 The top of the pendant will rest against the strain relief once installed. **NOTE:** Measure the position of the strain relief accurately for pendants to hang at the same height.



- 9 Use a small flat-head screwdriver to depress the tab on the push-in connector and slide the red wire into the terminal on the "+" side. Slide the black wire into the terminal on the "-" side.
- 10 Screw the cover back onto the pendant and allow the pendant to hang freely on the cord. **For Pylon Pendants**, screw the bottom cover on as well.