

Casen Drum and Wedge Flush Mounts

700FMCAS_-LED 1.1



GENERAL PRODUCT INFORMATION:



These fixtures are intended to be installed utilizing NEC compliant junction boxes.

This product is suitable for damp locations.

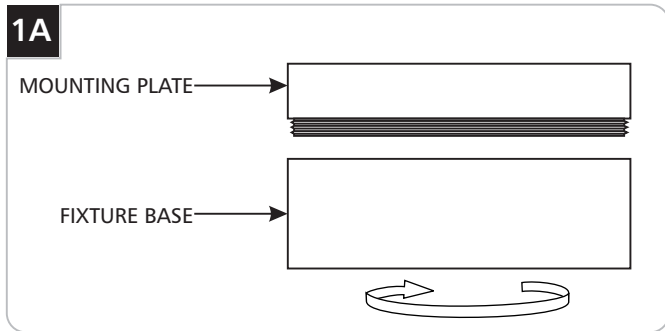
This product can be dimmed with a low-voltage electronic dimmer.

This instruction shows a typical installation.

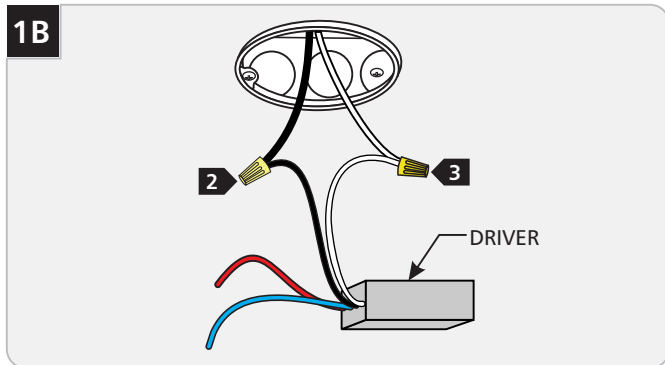


CAUTION - RISK OF FIRE
 This product must be installed in accordance with the applicable installation code by a person familiar with the construction and operation of the product and the hazards involved.
 Use minimum 90°C supply conductors.

Install the Fixture

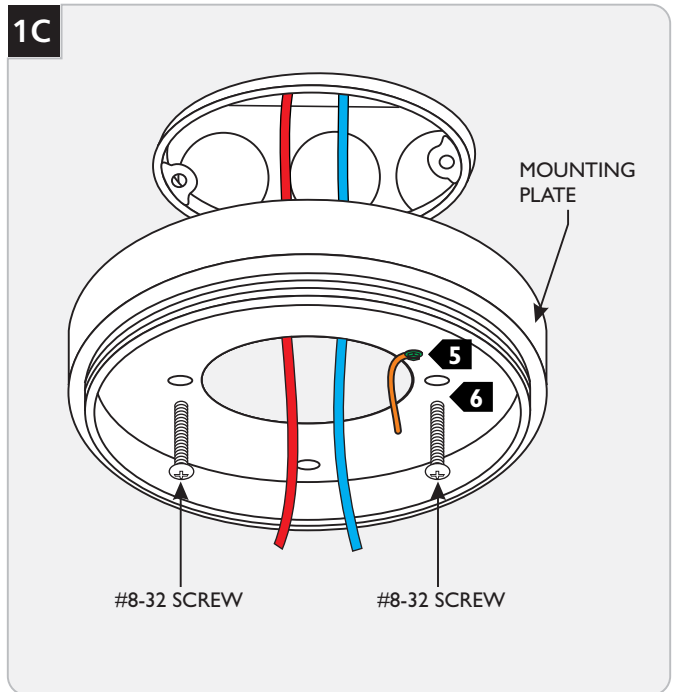


1 Unscrew the mounting plate from the fixture base.



2 Connect the black driver wire to the hot power line wire with a wire nut.

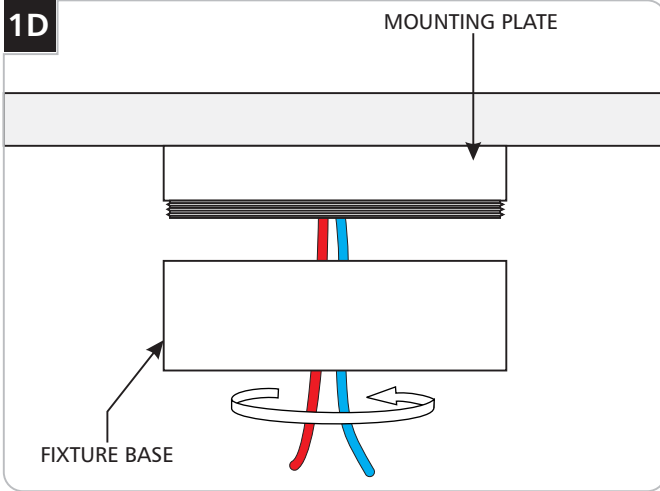
3 Connect the white driver wire to the neutral power line wire with a wire nut.



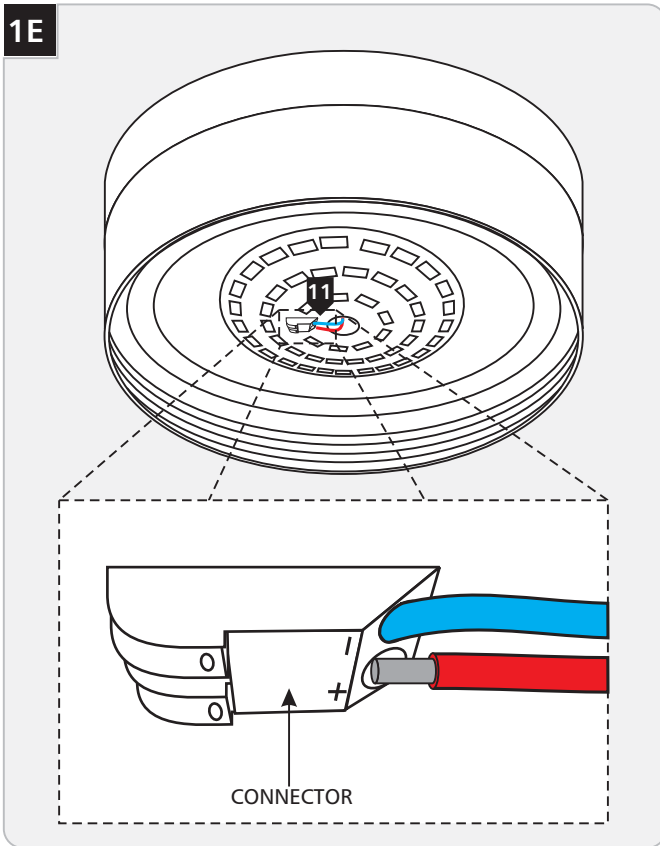
4 Properly place the driver and wire connections into the electrical box.

5 Ground the mounting plate to a suitable ground in accordance with local electrical codes.

6 Secure the mounting plate to the electrical box with 2 #8-32 screws, leaving the low-voltage driver wires accessible.



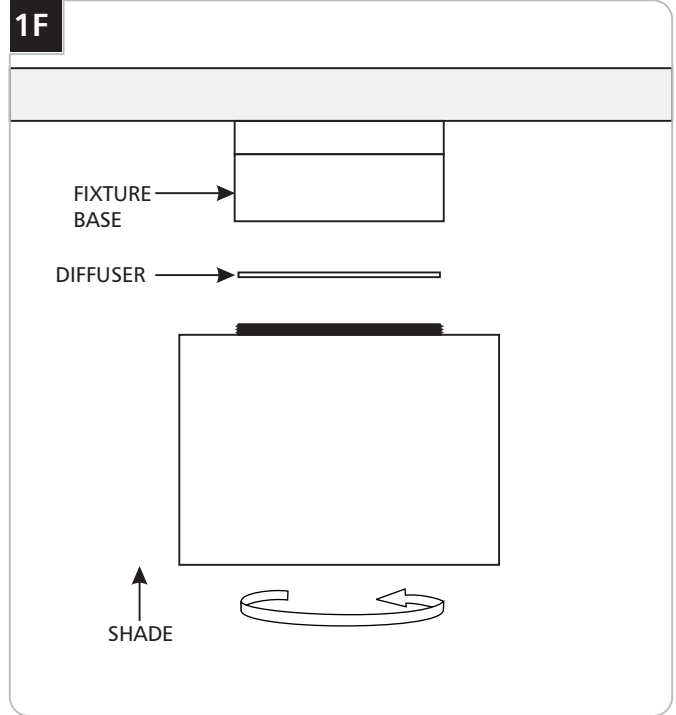
7 Feed the transformer wires through the fixture base and tightly reinstall it onto the mounting plate.



8 Completely install the blue transformer wire to the negative terminal to make a connection.

9 Completely install the red transformer wire to the positive terminal to make a connection.

NOTE: Ensure that the transformer wires have been properly installed by gently tugging on the wire to ensure the connection is firm.



10 Place the diffuser into the fixture base and completely screw the shade into the base.

SAVE THESE INSTRUCTIONS!



7400 Linder Ave, Skokie, IL 60077
847.410.4400

www.techlighting.com

© 2015 Tech Lighting, L.L.C. All rights reserved. The "Tech Lighting" graphic is a registered trademark of Tech Lighting, L.L.C. Tech Lighting reserves the right to change specifications for product improvements without notification.
A Generation Brands Company