

Installation Guide

PLUG-IN PENDANT

Thoughtful lighting, responsibly designed in London.

Thank you for making the switch to Tala.
Discover the full Tala family at us.tala.co.uk

BEFORE STARTING

Please read instructions thoroughly before installation and keep them for future reference. Please take extreme care when dealing with electrical equipment.

IMPORTANT

Bulb must be installed in fixture before turning on.

WARNING

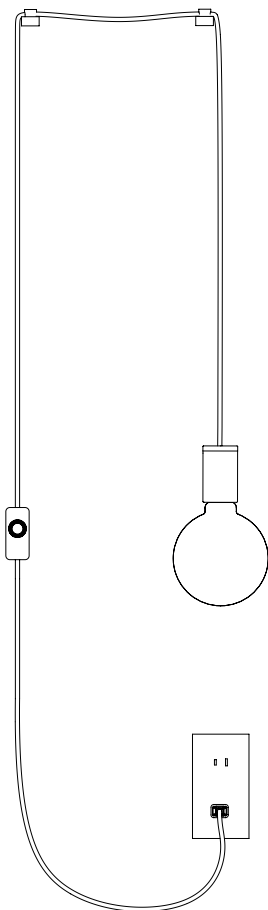
Ensure power is turned OFF before inserting plug.
Incorrect assembly may result in risk of fire or electric shock.

CARE AND CLEANING

We recommend cleaning with a soft dry cloth. Do not use abrasive materials as these will damage the finish of the product.

WARRANTY AND AFTER-CARE

This product has a two-year warranty.
If there appears to be a functional defect with the product during this time, please contact our team at customerservice@tala.co.uk.
Please note, the flexible cable attached to this luminaire cannot be replaced; if the cable is damaged, recycle the luminaire and seek a replacement.



FOR INDOOR USE ONLY

SKU - BRAS-PAP-01-US
SKU - GRAP-PAP-01-US

SKU - WALT-PAP-01-US
SKU - OAK-PAP-01-US



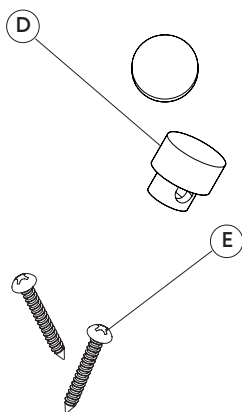
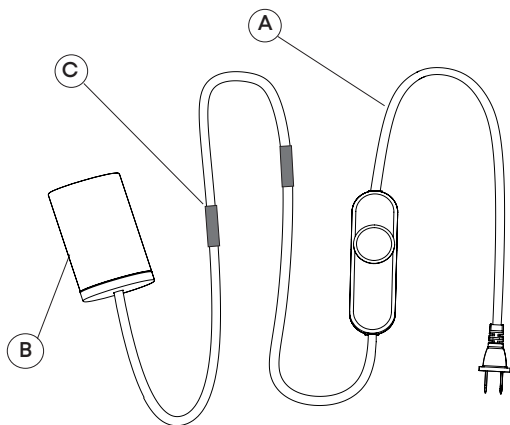
IP20

110 - 120V



Intertek
5018709

Plug-in Pendant - Provided Components



- (A)** x1 Cord with Dimmer Dial and US plug
- (B)** x1 Pre-assembled Tala Pendant Oak, Walnut, Brass or Graphite
- (C)** x2 Insulation tubes Adjustable - position in-line with nodes
- (D)** x2 Ceiling Nodes Consisting of 2 x caps and 2 x bases
- (E)** x1 Fixing Pack (Only use if suitable for ceiling type)

Dimmer to
pendant 13ft

Plug to
dimmer 6.5ft

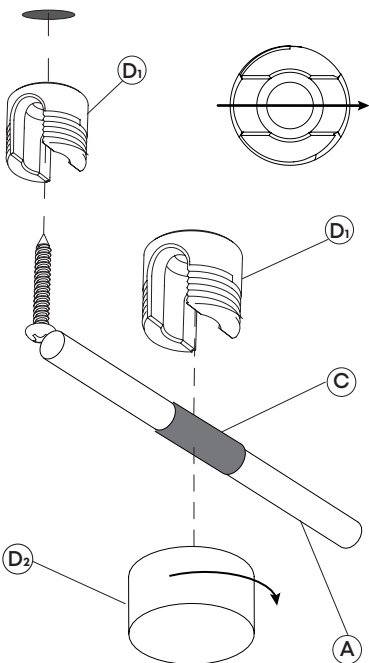
STEP 1

Decide on your layout for the Plug-in pendant, some examples are shown below.

Ensure you have enough cable for your desired layout before setting up the pendant, and the dimmer is always accessible

Layout 1

Layout 2



STEP 2

Attach Node base (D₁) to ceiling. Always choose screws and plugs that are appropriate for the ceiling material.

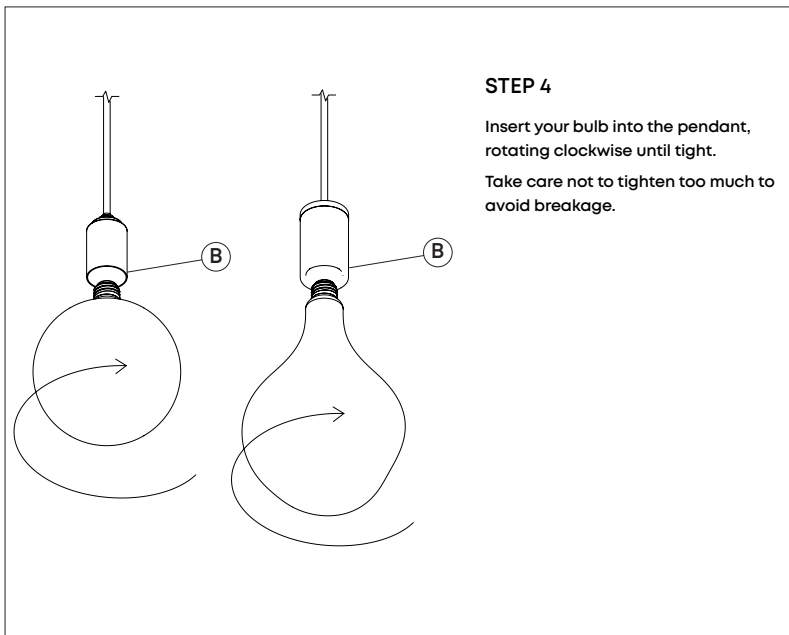
Ensure the Node channel runs parallel with the planned cord direction.

STEP 3

Position the Cord (A) into the Node base (D₁) at the desired points for your layout.

Slide the Insulation Tubes (C) into the centre of the Ceiling Nodes.

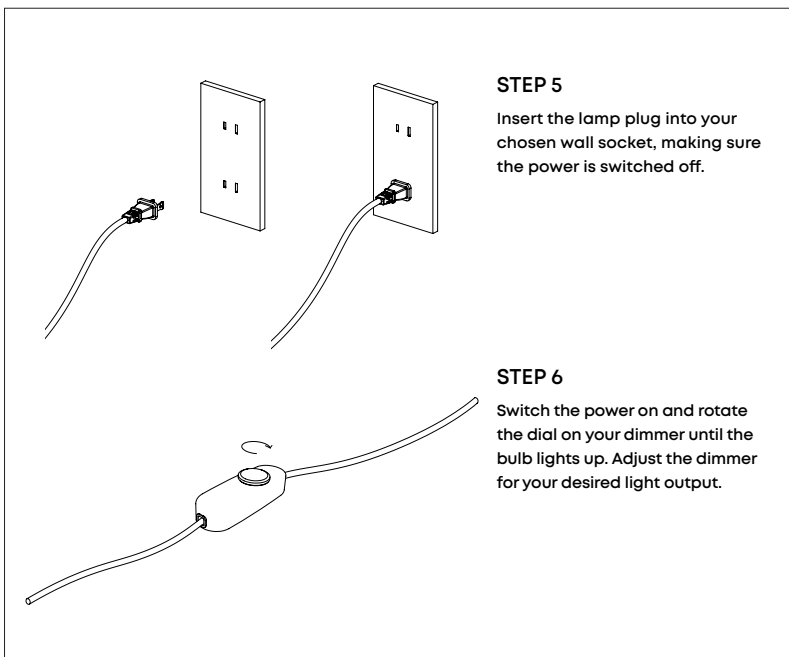
Screw the Node cap (D₂) onto the Node base clockwise until secure. Do not over tighten.



STEP 4

Insert your bulb into the pendant, rotating clockwise until tight.

Take care not to tighten too much to avoid breakage.



STEP 5

Insert the lamp plug into your chosen wall socket, making sure the power is switched off.

STEP 6

Switch the power on and rotate the dial on your dimmer until the bulb lights up. Adjust the dimmer for your desired light output.

Join the Community

hello@tala.co.uk | Instagram: @tala | Facebook: talaHQ | Pinterest: TalaLED | Tag: lighttoliveby

Tala Energy Ltd. 25B Vyner Street, London, E2 9DG

Tala North America, Inc. 2 Research Place, Suite 300, Rockville, MD 20850