

Installation Guide

BRASS, GRAPHITE & KNUCKLE PENDANT

Thoughtful lighting, responsibly designed in London.

Thank you for making the switch to Tala.
Discover the full Tala family at us.tala.co.uk

BEFORE STARTING

We advise the fitting of our ceiling rose and pendant to be performed by a qualified electrician. Please read through these instructions before commencing work, and keep them for future reference. Please take extreme care when carrying out these instructions.

IMPORTANT

This light fitting must be connected to the supply earth. If your lighting circuit does not have an earth, ask a qualified electrician to provide an earth facility. This light fitting is suitable for indoor use only. This fitting operates on 120V mains voltage. Please visit our website to see our recommended dimmers.

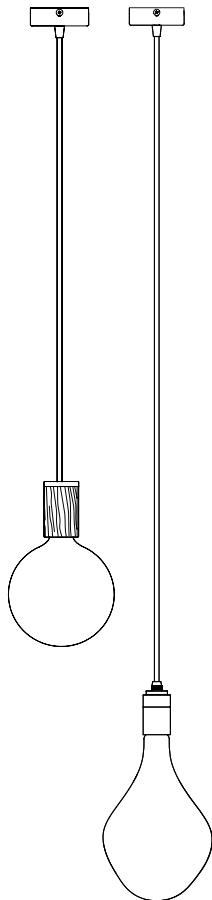
WARNING

Always switch off electricity supply at the mains during installation and maintenance. We recommend that the fuse is withdrawn or the circuit breaker is switched off whilst work is in progress. Do not just turn off at the wall switch. All fittings must be installed in accordance with current NFPA 70, National Electrical Code (NEC).

RECOMMENDED EQUIPMENT

- Screwdriver
- Wire strippers
- Insulation tape

Further equipment may be required for fixing to your ceiling



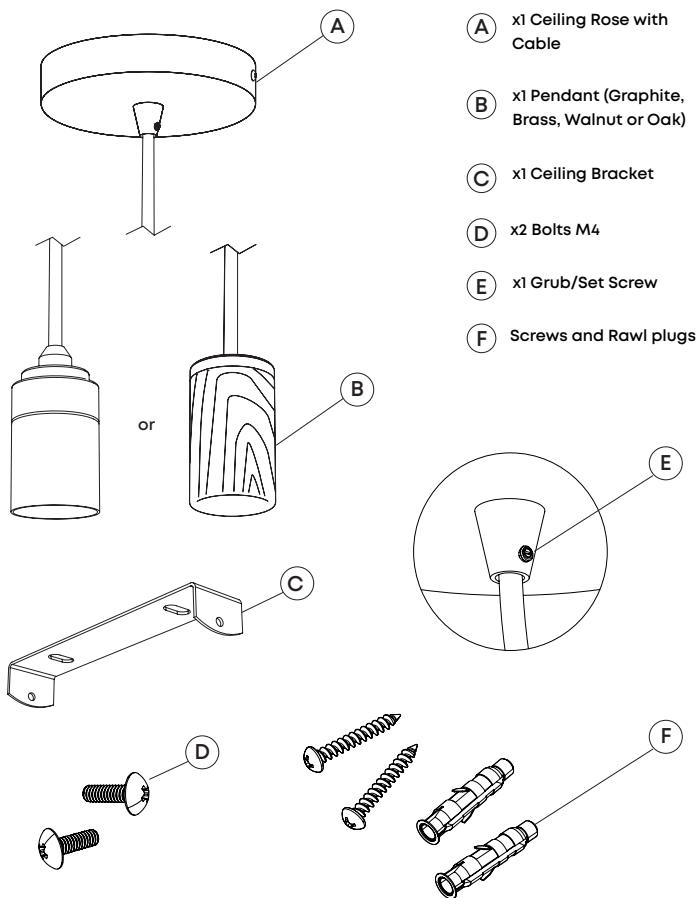
Scan me for more technical help

FOR INDOOR USE ONLY

SKU - OAK-KP-02-US SKU - BRAS-PD-02-US
SKU - WALT-KP-02-US SKU - GRAP-PD-01-US



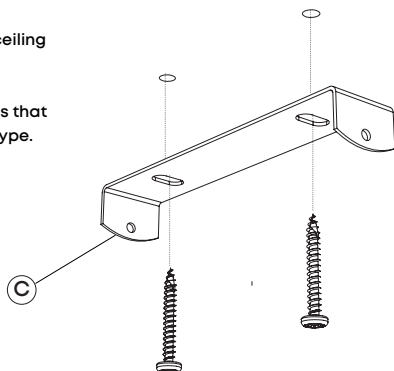
Pendant Components



STEP 1

Attach component **C** to your ceiling using screws and plug.

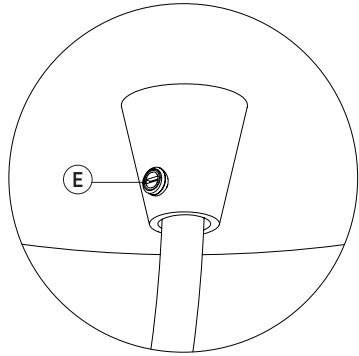
Always choose screws and plugs that are appropriate for the ceiling type.



STEP 2

Adjust the cord to your desired length.
Using a flat head screw driver, tighten
'grub/set screw' (E) .
This will secure the cable in place.

Maintain all double insulation.

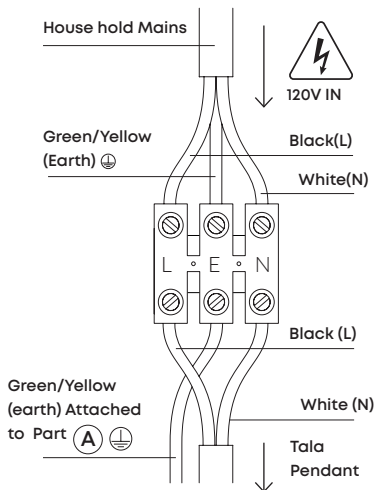


STEP 3

First identify your household wiring
using NFPA 70, National Electrical
Code (NEC).

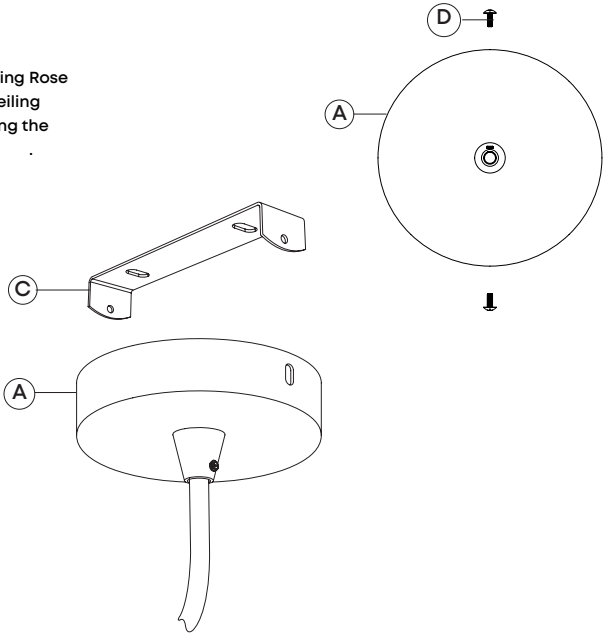
Attach the pendant wiring to your
household supply as shown.

Use an appropriate junction box.



STEP 4

Fasten the Ceiling Rose (A) onto the Ceiling Bracket (C) using the bolts provided.



WARRANTY AND AFTER-CARE

This product has a two-year warranty. If there appears to be a functional defect with the product during this time, please contact our team at customerservice@tala.co.uk.

Please note, the flexible cable attached to this luminaire cannot be replaced; if the cable is damaged, recycle the luminaire and seek a replacement.

Join the Community

hello@tala.co.uk | Instagram: @tala | Facebook: talaHQ | Pinterest: TalaLED | Tag: lighttoliveby

Tala Energy Ltd. 25B Vyner Street, London, E2 9DG

Tala North America, Inc. 2 Research Place, Suite 300, Rockville, MD 20850