

# Syrma & Syrma Grande Pendant

700TDSYRP\_ , 700TDSYRGP\_

1.2



## PENDANTS

### GENERAL PRODUCT INFORMATION:



This fixture is intended to be installed utilizing NEC compliant junction boxes.

This product is suitable for damp locations.

This product may be dimmed with a low-voltage electronic dimmer or a 0-10V dimmer depending on the wiring configuration.

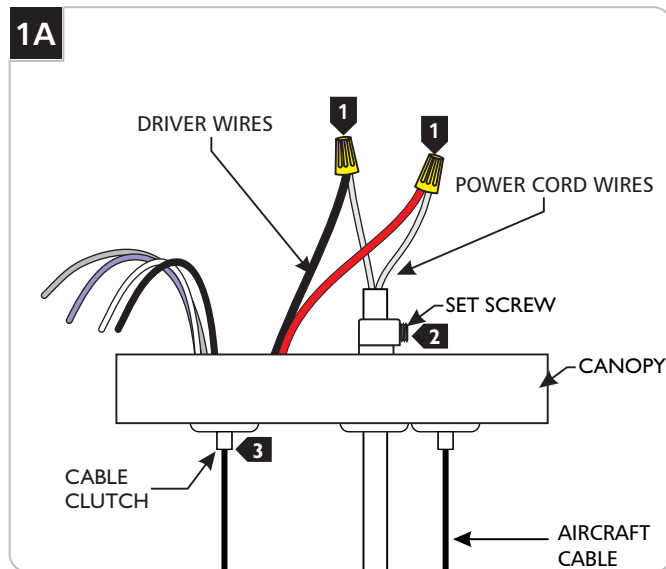
#### CAUTION - RISK OF FIRE

This product must be installed in accordance with the applicable installation code by a person familiar with the construction and operation of the product and the hazards involved.

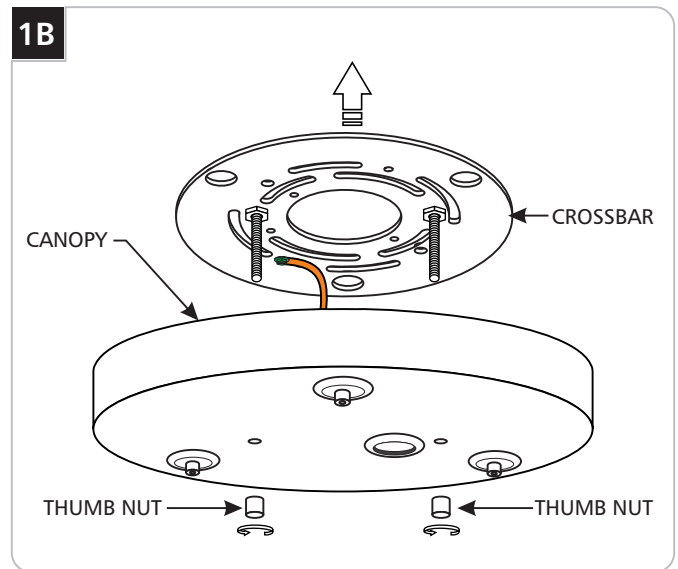
Use minimum 90°C supply conductors.



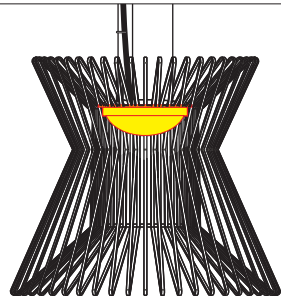
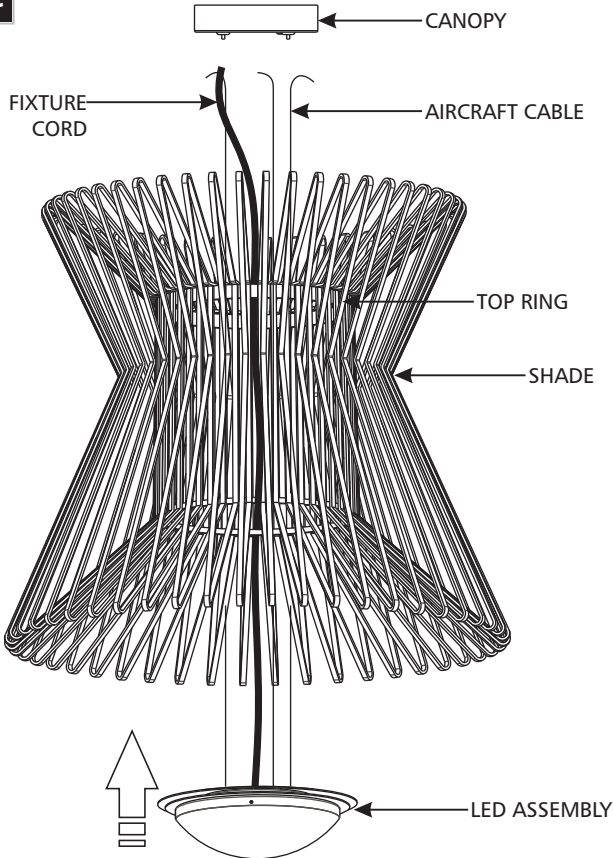
## Assemble the Fixture



- 1** Take note of the wire connections and remove the wire nuts to disconnect the power cord wires from the driver wires.
- 2** Loosen (**do not remove**) the set screw on the strain relief and carefully pull the power cord out of the canopy.
- 3** Push the cable clutches in and carefully pull the aircraft cables out of the canopy.



- 4** Remove the crossbar from the assembly by unscrewing the two thumb nuts.

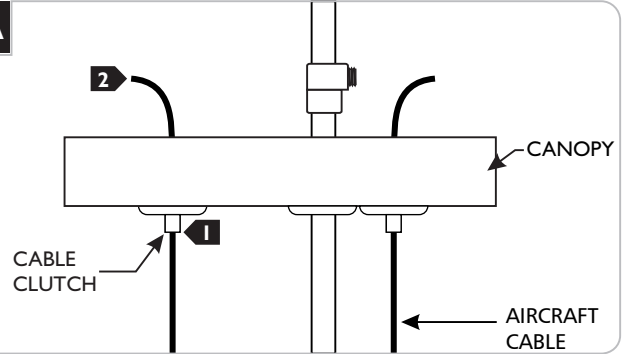
**1C**

NOTE: The LED assembly must rest inside the shade on the top ring.

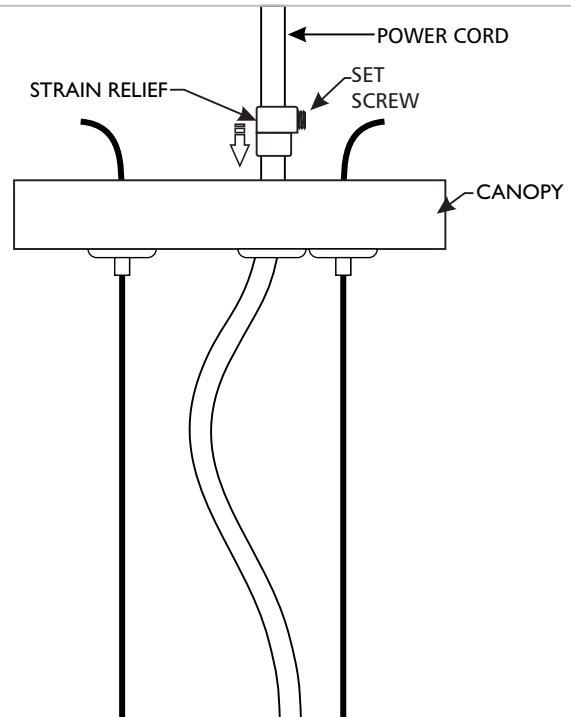
- 1** Feed the aircraft cables and power cord through the shade until the LED assembly rests on the top ring, then reinstall the aircraft cables and power cord to the canopy.
- 2** If shortening the fixture, do not reconnect the power cord wires at this time. Continue to Step 2A.
- 3** If not shortening the fixture, reconnect the power cord wires to their original connections (reversal of Step 1A). Skip to Step 3A.

## Shorten the Fixture (Optional)

NOTE: Make sure to support the fixture while adjusting the aircraft cables. An assistant is recommended to complete the remaining steps.

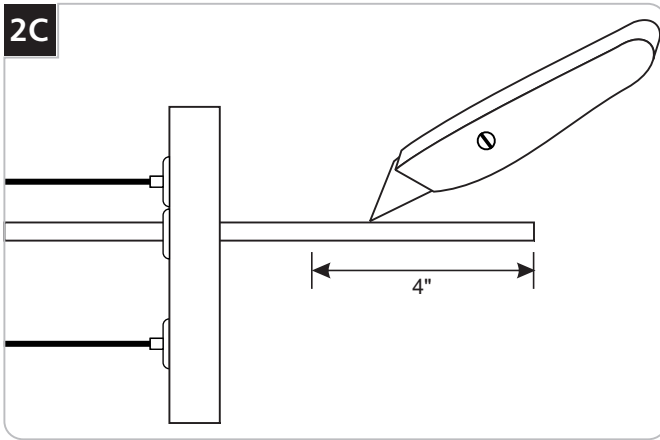
**2A**

- 1** Evenly pull the aircraft cables up through the canopy to raise the fixture to the desired length.
- 2** Cut off the excess aircraft cable leaving enough for fine leveling later.

**2B**

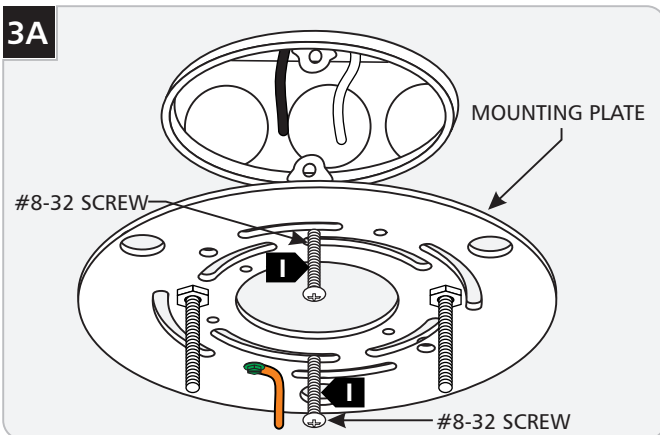
NOTE: The power cord does not support the fixture. For a casual "lazy cord" look, cut the power cord several inches longer than the drop height of the fixture.

- 3** Pull the cord through the canopy until the desired look is achieved. Loosen the set screw in the strain relief, slide the strain relief down the power cord towards the canopy, then re-tighten the set screw.

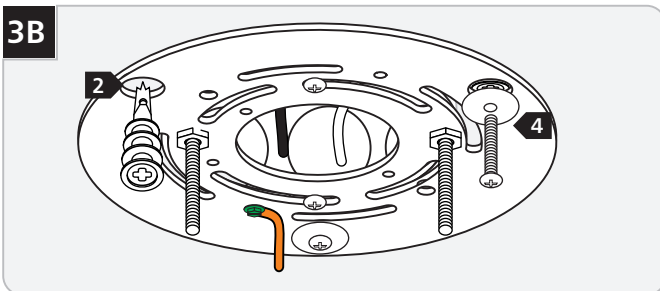


- 4 Leave 6" of the cord behind the canopy for power connections. Cut the excess cord.
- 5 From the end of the cord, strip the insulation 4" using a sharp knife. **Make sure not to nick the inner wires.**
- 6 Strip the end of the wires.

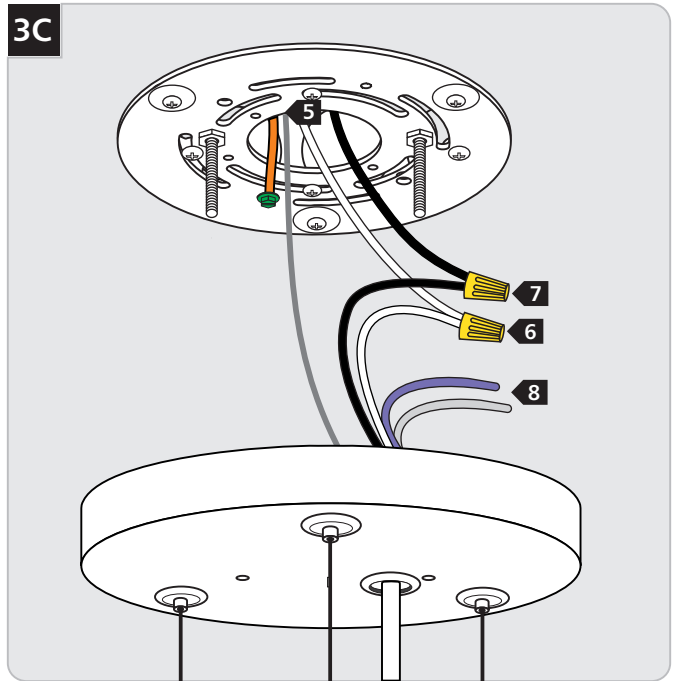
## Install the Fixture



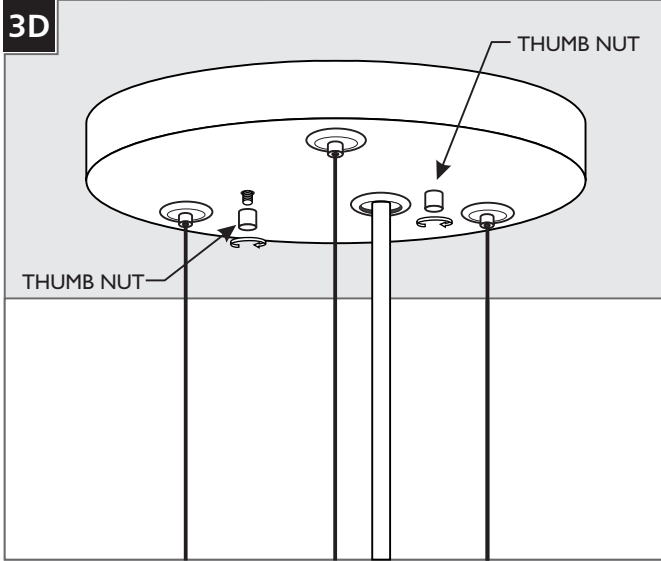
- 1 Secure the mounting plate to the electrical box with 2 #8-32 screws.



- 2 Line the anchor tips with the center of the anchor holes, and push the anchors into the wall up to the threads.
- 3 Screw the anchors in the rest of the way with a Phillips-head screwdriver.
- 4 Slide each #8 screw through a washer, and screw them into the anchors to secure the mounting plate.



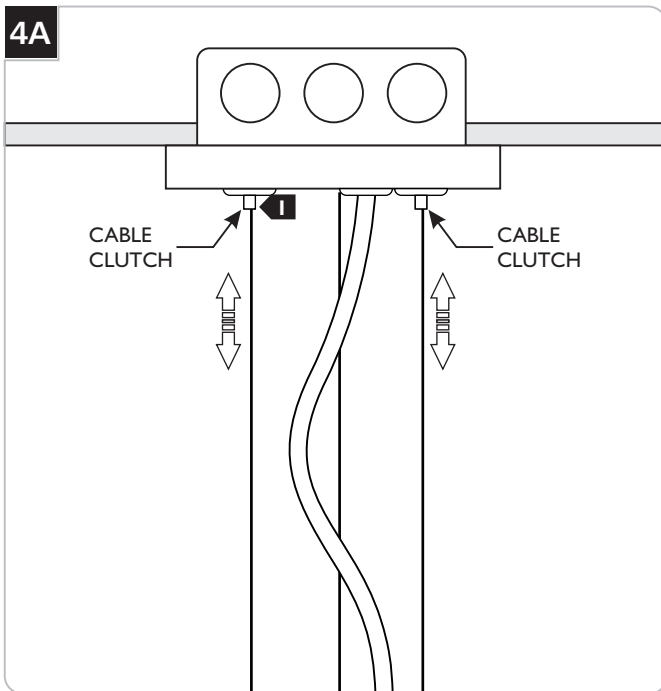
- 5 Connect the fixture and the crossbar ground wire to a suitable ground in accordance with local electrical codes.
- 6 Connect the white driver wire to the neutral power line wire.
- 7 Connect the black driver wire to the hot power line wire.
- 8 Use the gray and purple dimming wires for 0-10v dimming application (if not in use, make sure to cap these wires off).



**NOTE:** It is recommended that one person hold the fixture while the electrician finishes the installation.

- 9 Place all wires, wire nut connections, driver, and the secondary strain relief properly inside the canopy.
- 10 Install the canopy onto to crossbar as secure it tightly with the two thumb nuts.

## Adjust the Suspension Cables



- 1 If necessary, adjust the aircraft cables until the fixture is level; feed the cable into the cable clutch to raise the fixture and push in on the cable clutch nipple to release the cable and lower the fixture.

**SAVE THESE INSTRUCTIONS!**



**TECH LIGHTING®**

7400 Linder Ave, Skokie, IL 60077

847.410.4400

[www.techlighting.com](http://www.techlighting.com)

© 2019 Tech Lighting, L.L.C. All rights reserved. The "Tech Lighting" graphic is a registered trademark of Tech Lighting, L.L.C. Tech Lighting reserves the right to change specifications for product improvements without notification.  
A Generation Brands Company