

INSTALLATION INSTRUCTION

Symmetrical Recessed Channel

LED-T-RCH1-WT

WAC LIGHTING

Responsible Lighting®

SAFETY INSTRUCTION

IMPORTANT: NEVER attempt any work without shutting off the electricity.

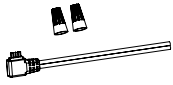
- Read all instructions before installing.
- Always turn off power at fuse box prior to installation to prevent electrical shock.
- Intended for indoor use. Dry and damp locations.
- For installation by a qualified electrician.
- System is intended for installation in accordance with National Electric Code, and local regulations.
- Consult with local inspector to assure compliance.

Instruction de sécurité

IMPORTANT: NE JAMAIS tenter tout travail sans couper l'électricité.

- Lisez toutes les instructions avant d'installer.
- Toujours couper l'alimentation électrique à la boîte à fusibles avant l'installation pour éviter les chocs électriques.
- Destiné à une utilisation en intérieur, endroits secs et humides.
- Pour l'installation par un électricien qualifié.
- Le système est destiné à être installé conformément au Code national de l'électricité, et les réglementations locales.
- Consultez l'inspecteur local pour assurer la conformité.

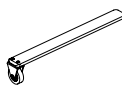
COMPONENTS:



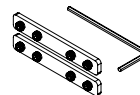
LED-TC-B-2L



LED-T-CH-PER



LED-T-CH-INS



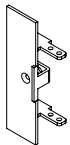
LED-T-CH-JOIN



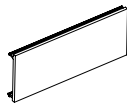
LED-T-CH-BIT



LED-T-CH-SINK



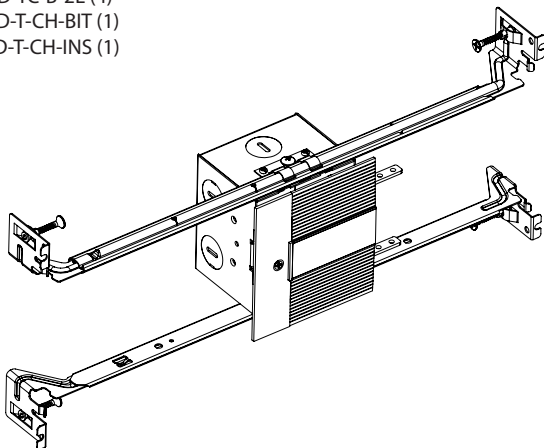
LED-T-CH-END1-WT



LED-T-RCH1-COV

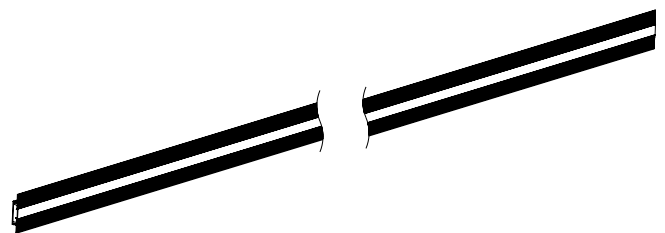
LED-T-RBOX1-WT (sold separately)

- LED-T-CH-END1-WT (2) INSTALLED
- LED-T-CH-JOIN (1)
- LED-T-CH-SINK (1)
- LED-TC-B-2L (4)
- LED-T-CH-BIT (1)
- LED-T-CH-INS (1)



LED-T-RCH1-WT

- LED-T-CH-PER (8)
- LED-T-CH-JOIN (1)



waclighting.com
Phone (800) 526.2588
Fax (800) 526.2585

Headquarters/Eastern Factory
44 Harbor Park Drive
Port Washington, NY 11050

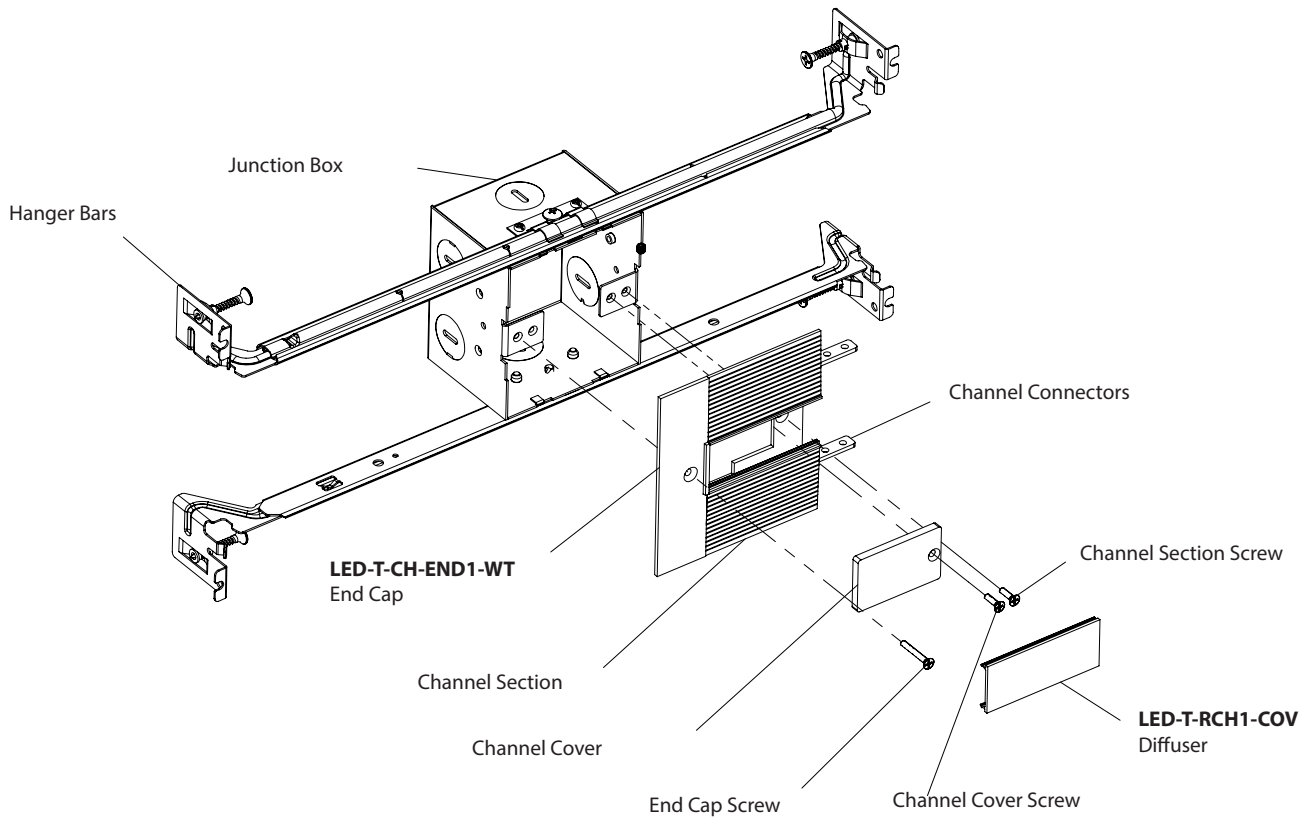
Central Factory
1600 Distribution Ct
Lithia Springs, GA 30122

Western Factory
1750 Archibald Avenue
Ontario, CA 91760

INSTALLATION INSTRUCTION
Symmetrical Recessed Channel
LED-T-RCH1-WT

INSTALLATION:

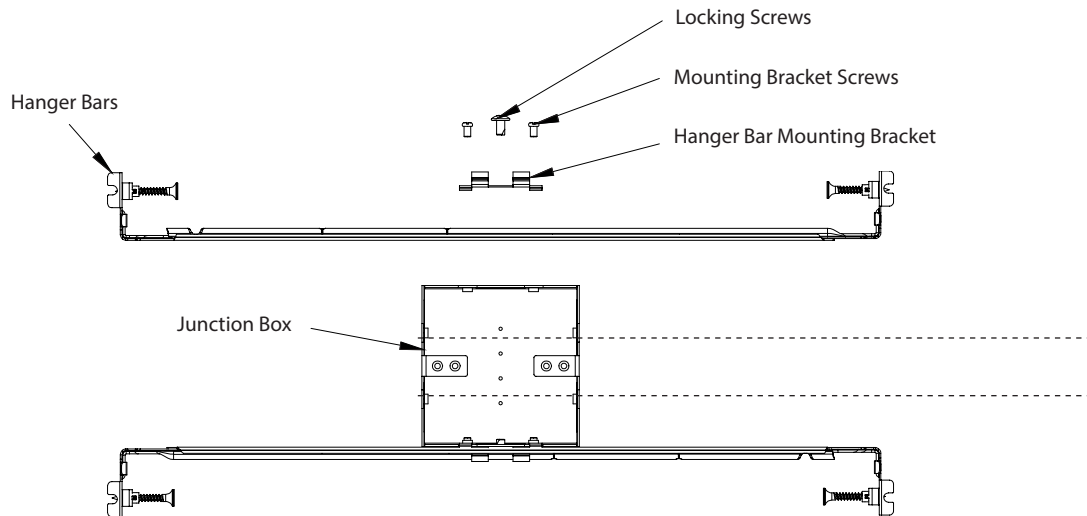
1. Disassemble the Junction Box & Hanger Bars from LED-T-RBOX1-WT
(Keep all of the components and screws for later installation.)



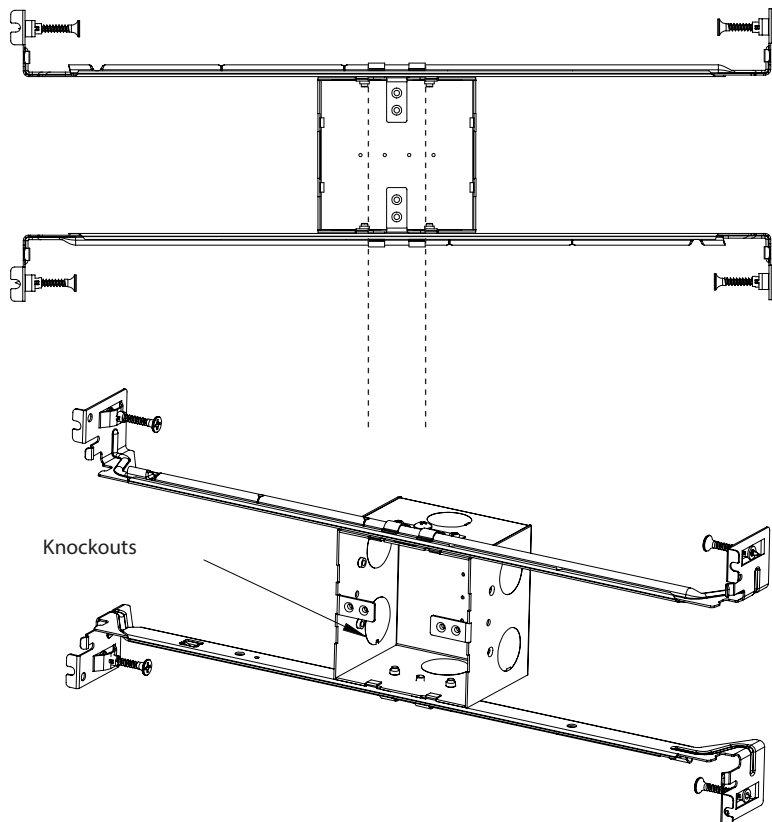
INSTALLATION INSTRUCTION
Symmetrical Recessed Channel
LED-T-RCH1-WT

2. Junction Box can be mounted horizontally or vertically by using the Mounting Brackets & Screws depending on the orientation of the channel. Junction Box can be slid along the Hanger Bars by loosening and fastening the Locking Screws on both top and bottom. Remove Knockouts on the Junction Box as necessary before mounting it.

If channel is desired to be mounted horizontally:

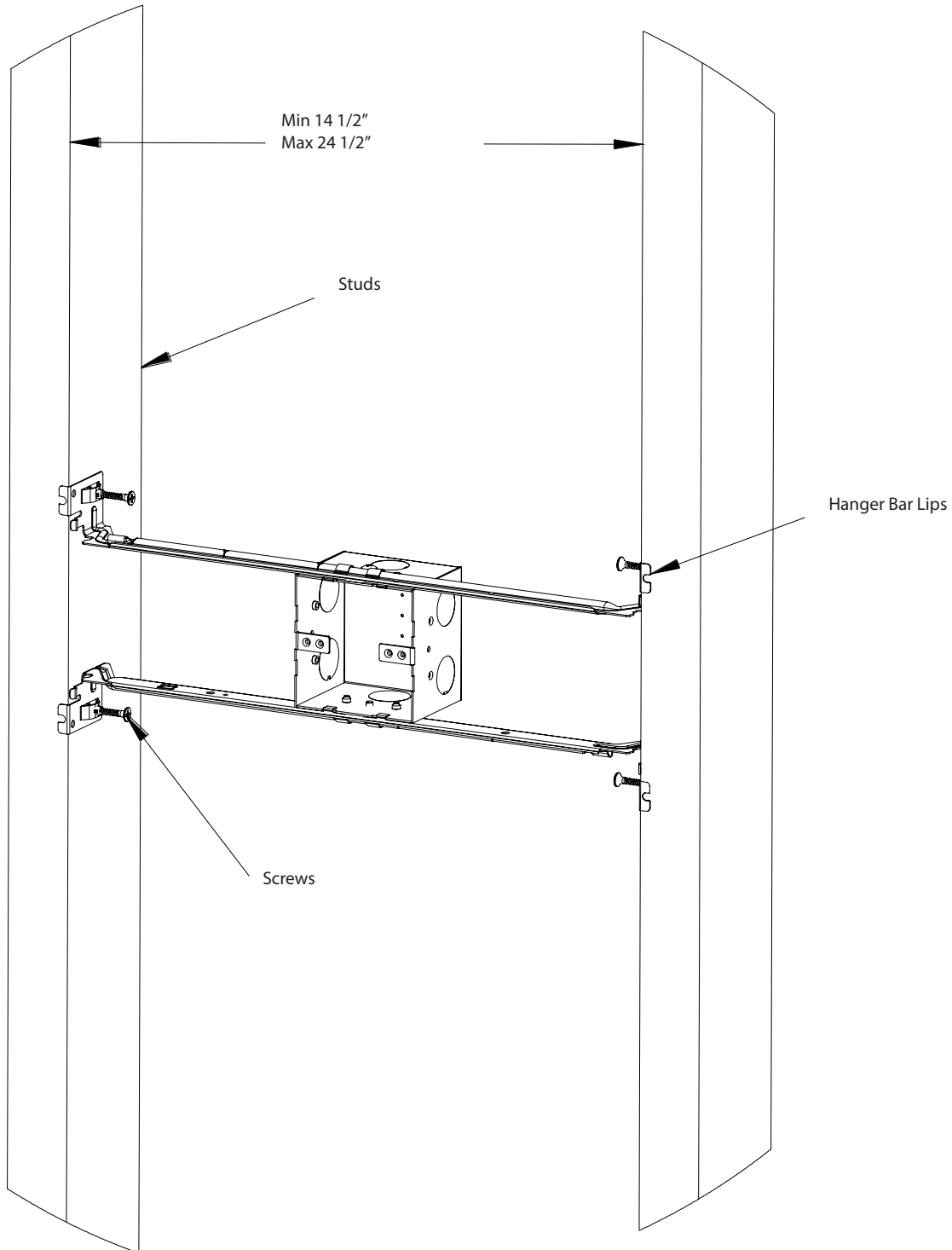


If channel is desired to be mounted vertically:



INSTALLATION INSTRUCTION
Symmetrical Recessed Channel
LED-T-RCH1-WT

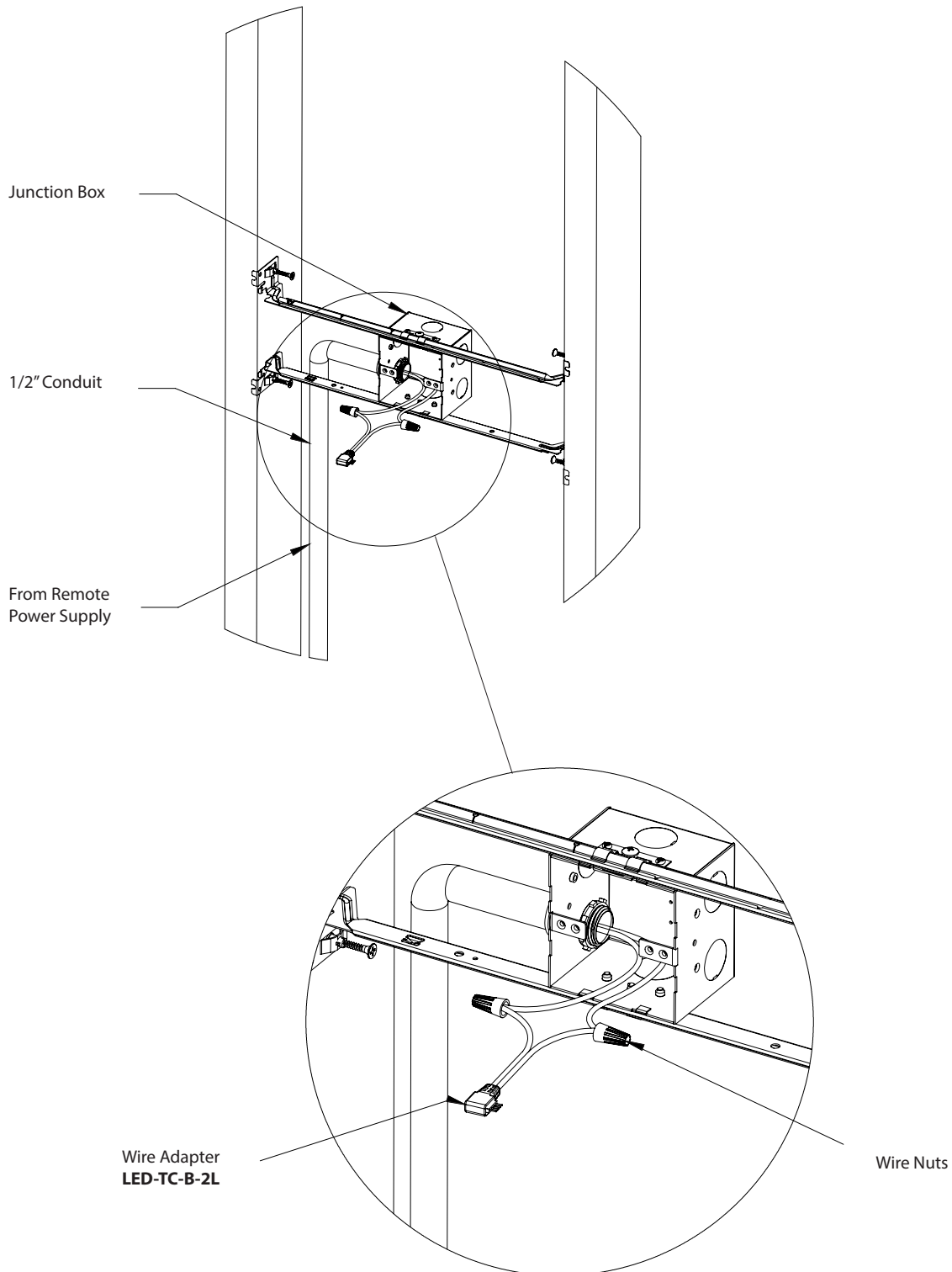
3. Select the location between two Studs for the Junction Box to be mounted.
Place the adjustable Hanger Bars between the Studs (14 1/2" to 24 1/2"). Make sure the lips on the Hanger Bars are against the Studs.
Use supplied Screws to secure the Hanger Bars at desired position.



INSTALLATION INSTRUCTION
Symmetrical Recessed Channel
LED-T-RCH1-WT

WAC LIGHTING
Responsible Lighting®

4. Install the conduit and run the low voltage 24V DC Power Wires.
Connect the 24V DC power wires to the Wire Adapter LED-TC-B-2L with the provided wire nuts.
Tuck all wires into the Junction Box for later use.



waclighting.com
Phone (800) 526.2588
Fax (800) 526.2585

Headquarters/Eastern Factory
44 Harbor Park Drive
Port Washington, NY 11050

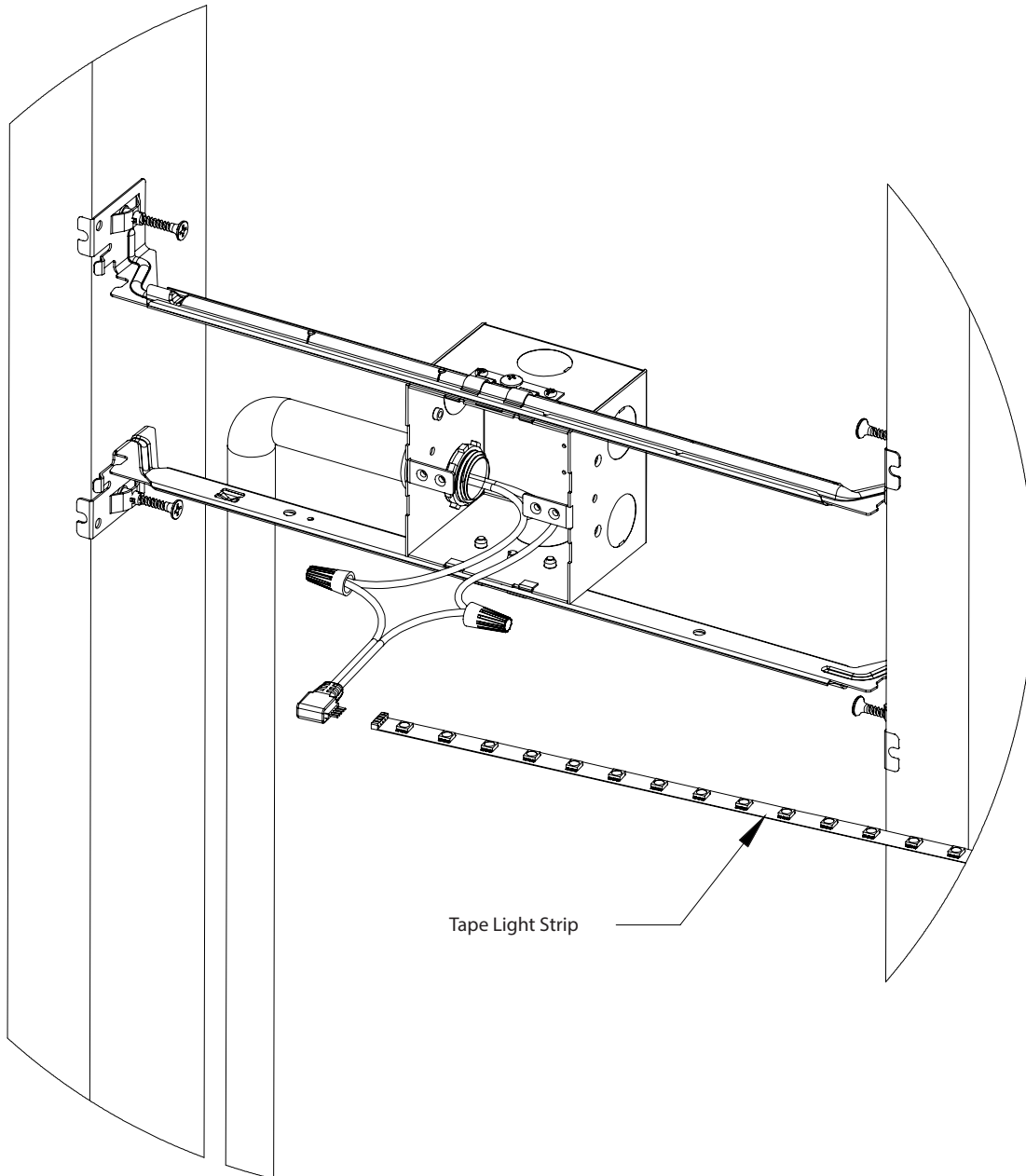
Central Factory
1600 Distribution Ct
Lithia Springs, GA 30122

Western Factory
1750 Archibald Avenue
Ontario, CA 91760

INSTALLATION INSTRUCTION
Symmetrical Recessed Channel
LED-T-RCH1-WT

WAC LIGHTING
Responsible Lighting®

5. Check all wiring connections and make sure all wiring is done as instructed.
Plug in the Tape Light Strip and turn on the power to ensure the lights are working properly.
Remove the tape light strip for later use if it is powered properly.



waclighting.com
Phone (800) 526.2588
Fax (800) 526.2585

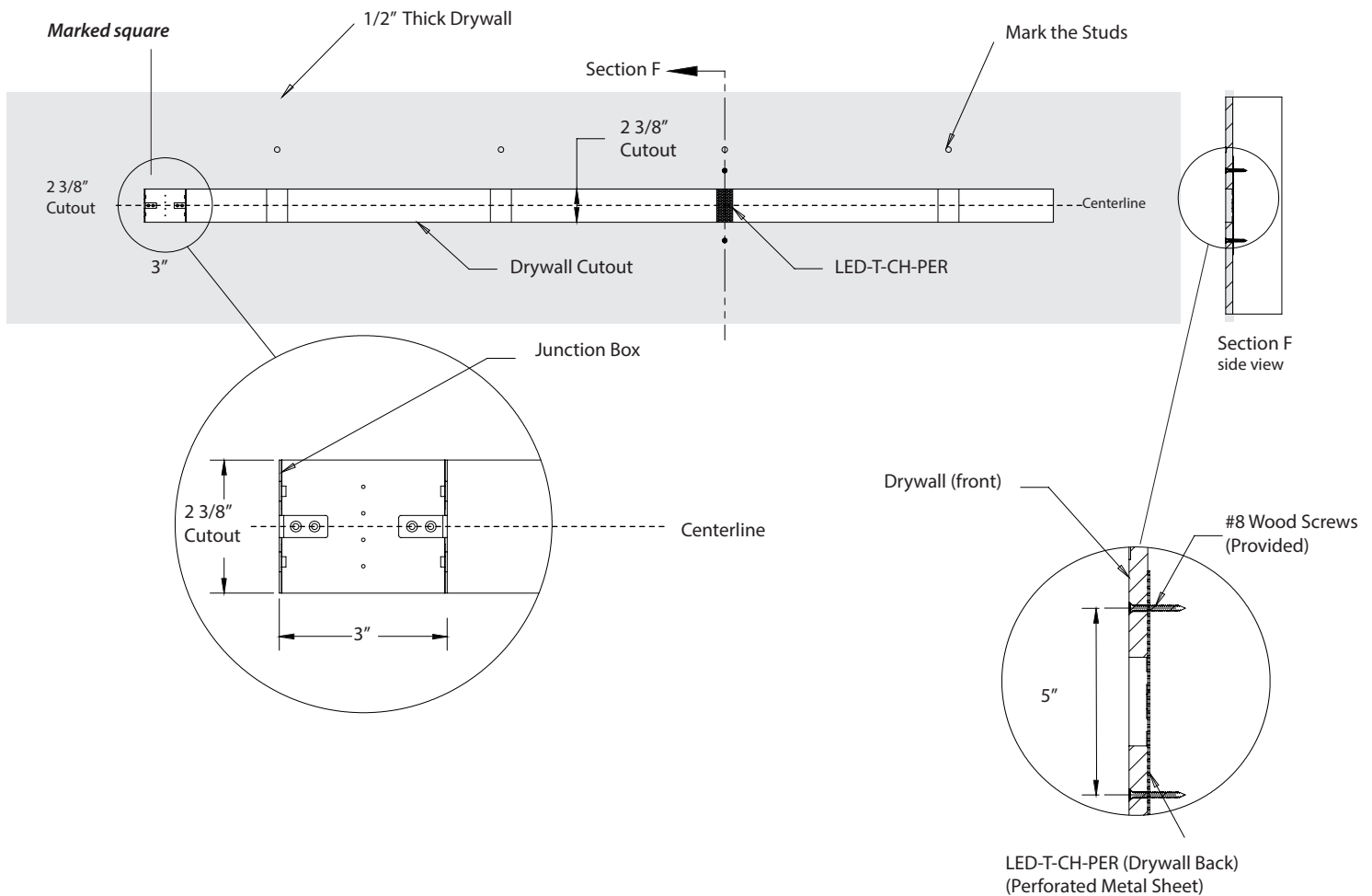
Headquarters/Eastern Factory
44 Harbor Park Drive
Port Washington, NY 11050

Central Factory
1600 Distribution Ct
Lithia Springs, GA 30122

Western Factory
1750 Archibald Avenue
Ontario, CA 91760

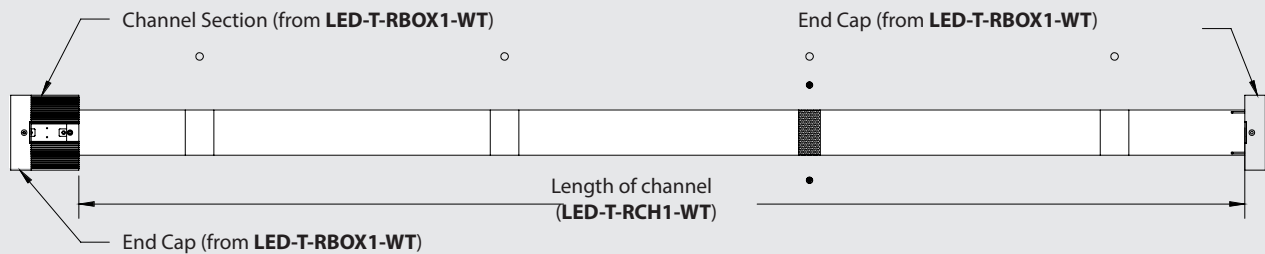
INSTALLATION INSTRUCTION
Symmetrical Recessed Channel
LED-T-RCH1-WT

6. Mark a 2 3/8" x 3" square on the drywall where the junction box will be located.
Cut out the **marked square** using a jabsaw or "Rotozip" tool.
Mount the drywall to the studs.
Using the drywall opening as reference, mark 2 3/8" wide lines and cut the desired length of the channel along the drywall.
Mark the location of the Stud for later use.
In any cases where no stud/joist is present, **LED-T-CH-PER** may be used to secure the channel to the dry wall.
Mount LED-T-CH-PER with two #8 Wood Screws 5" apart centered around the cutout. **LED-T-CH-PER** should be spaced in 2 feet.

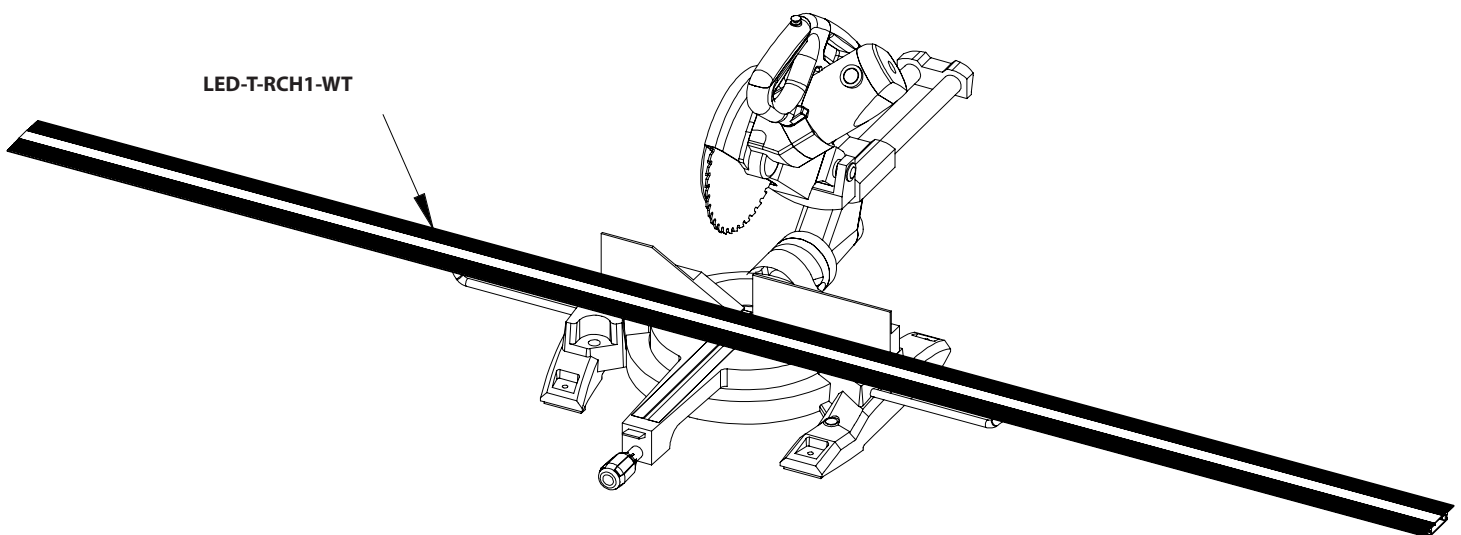


INSTALLATION INSTRUCTION
Symmetrical Recessed Channel
LED-T-RCH1-WT

7. Insert the End Cap & Channel Section from LED-T-RBOX1-WT to the power feed side & insert one End Cap from **LED-T-RBOX1-WT** to the opposite side temporarily. Measure the LENGTH OF CHANNEL in between precisely. Write the number down on a paper. Remove the End Caps and Channel Section from the drywall.



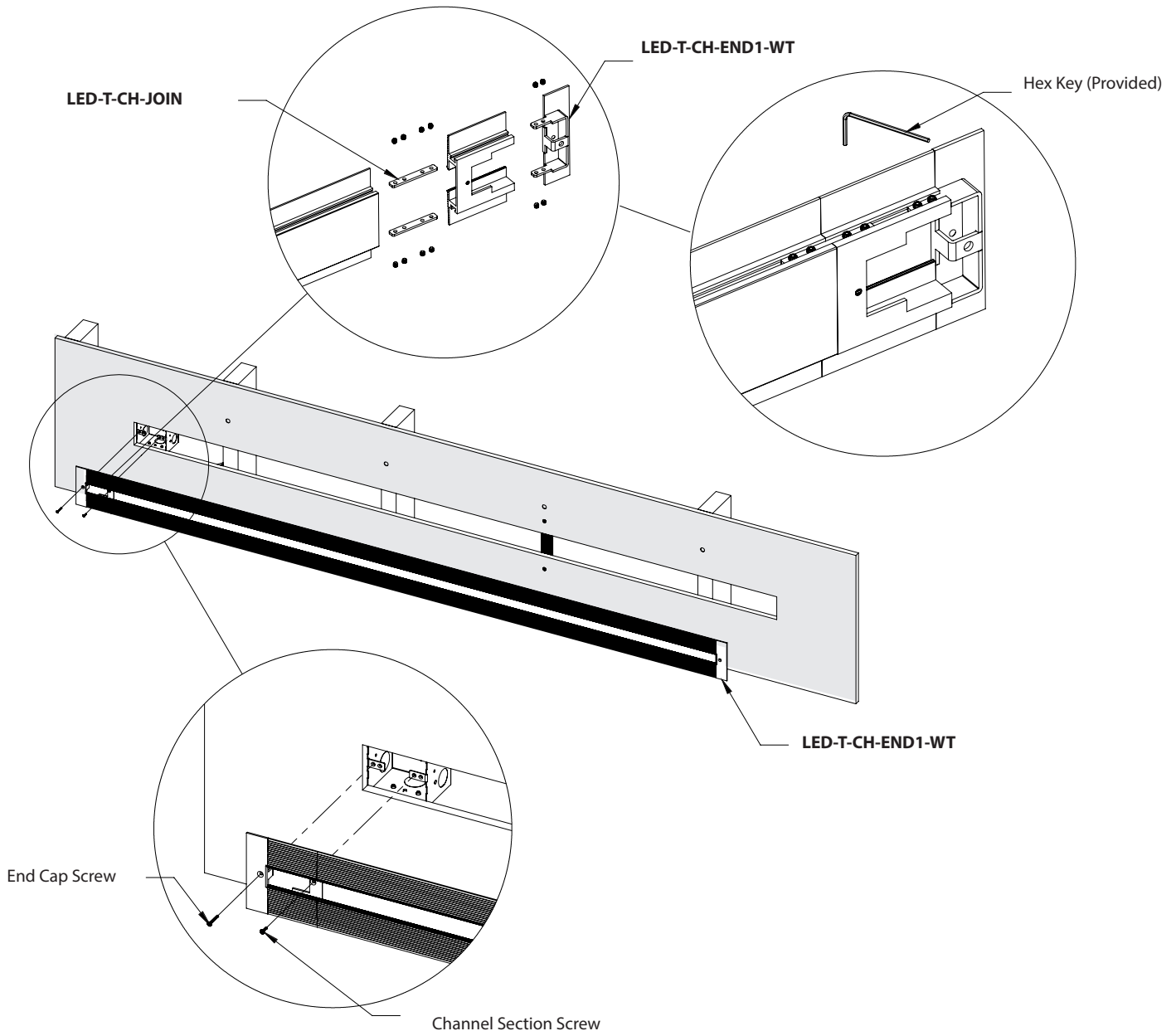
8. If required for installation, cut down **LED-T-RCH1-WT** to measured/desired length with hacksaw or miter saw that has an appropriate blade for cutting aluminum. Always wear safety goggles when cutting. (Note: Channel should be cut together with the diffuser to ensure proper fitting.)



INSTALLATION INSTRUCTION
Symmetrical Recessed Channel
LED-T-RCH1-WT

WAC LIGHTING
Responsible Lighting®

9. Insert **LED-T-CH-JOIN** half way into the slots of each channel end and butt the channels against each other. Lock the channels tightly together and secure them with the provide hex key. Mount the **LED-T-CH-END1-WT** to the end of the channel. Push the whole channel assembly into the drywall cutout. Mount the channel assembly to the Junction Box with End Cap Screw and Channel Section Screw.



waclighting.com
Phone (800) 526.2588
Fax (800) 526.2585

Headquarters/Eastern Factory
44 Harbor Park Drive
Port Washington, NY 11050

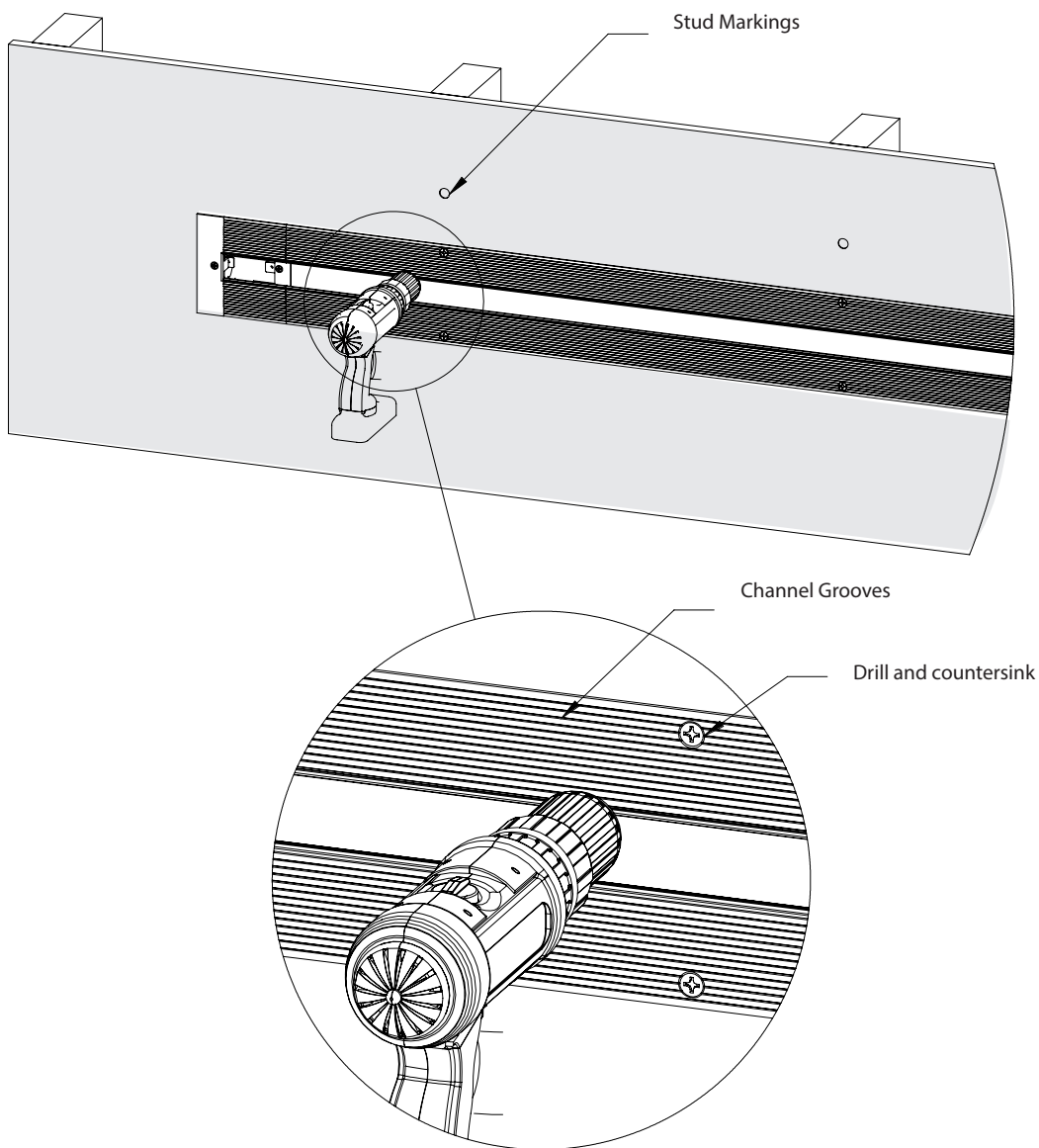
Central Factory
1600 Distribution Ct
Lithia Springs, GA 30122

Western Factory
1750 Archibald Avenue
Ontario, CA 91760

INSTALLATION INSTRUCTION
Symmetrical Recessed Channel
LED-T-RCH1-WT

WAC LIGHTING
Responsible Lighting®

10. Make sure channel is aligned straight using a laser level.
Use the Marked Stud Locations on the drywall and the Channel Grooves, carefully drill (**LED-T-CH-BIT**) and countersink (**LED-T-CH-SINK**) the channel.
Properly secure the channel to the drywall using drywall screws.
Make sure all screw heads are flush with the channel surface for plaster work later.



waclighting.com
Phone (800) 526.2588
Fax (800) 526.2585

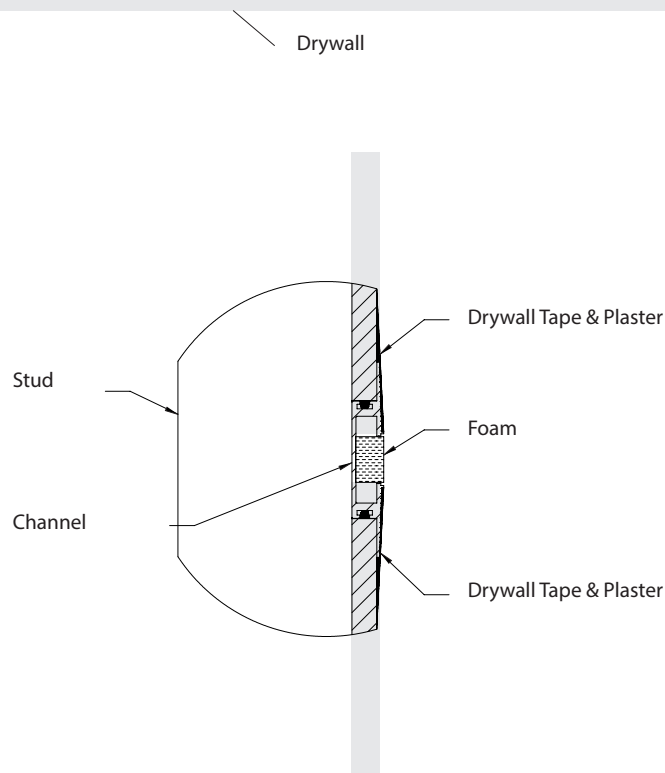
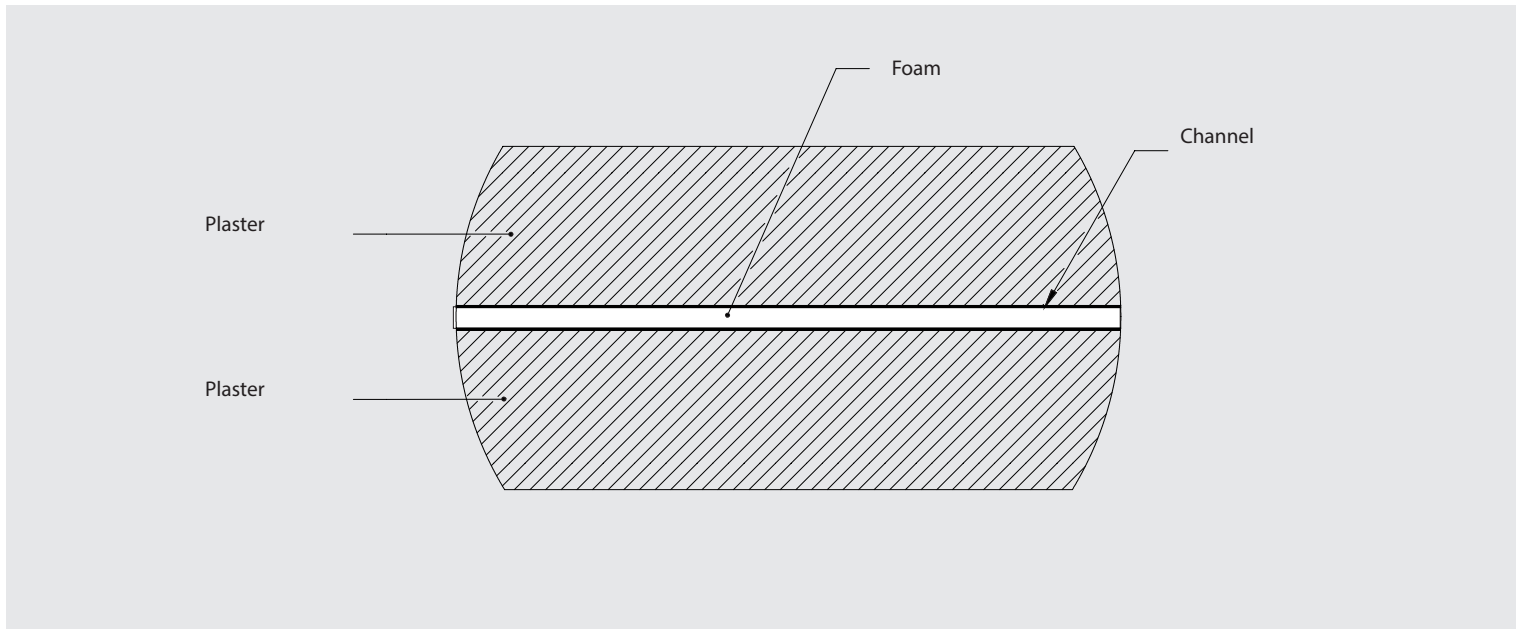
Headquarters/Eastern Factory
44 Harbor Park Drive
Port Washington, NY 11050

Central Factory
1600 Distribution Ct
Lithia Springs, GA 30122

Western Factory
1750 Archibald Avenue
Ontario, CA 91760

INSTALLATION INSTRUCTION
Symmetrical Recessed Channel
LED-T-RCH1-WT

11. Cover up the opening section of the channel with the provided Foam to prevent plaster and dust entering the channel. Apply ultra-thin drywall tape along edges of the channel to prevent cracking of plaster after installation.
Note: Do not overlap drywall tapes.
Plaster the channel edges to the drywall. Sand and paint the wall properly.
After the plaster cures, remove the Foam and clean the inside of the channel before installing the LED Tape Light Strip.



INSTALLATION INSTRUCTION
Symmetrical Recessed Channel
LED-T-RCH1-WT

12. Pull out the LED-TC-B-2L from Junction Box.

Plug the Tape Light Strip into the Wire Connector.

Tuck the wire connector back to the junction box.

Removing the backing from the tape light strip and install it inside the channel by using your fingers or the provided tool **LED-T-CH-INS**.

Make sure to push the connector as close to the end of the channel as possible to eliminate dark spot at the beginning of the run.

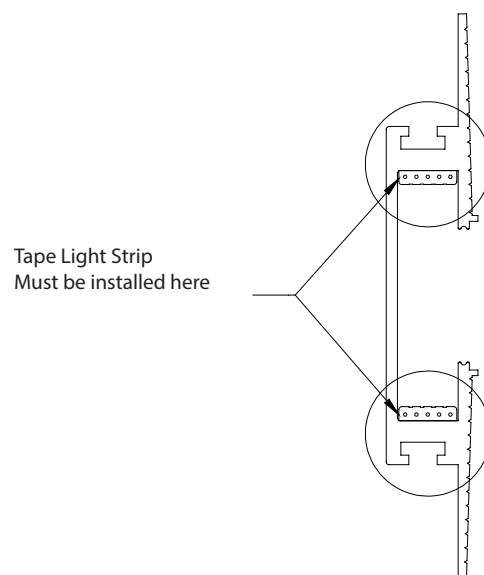
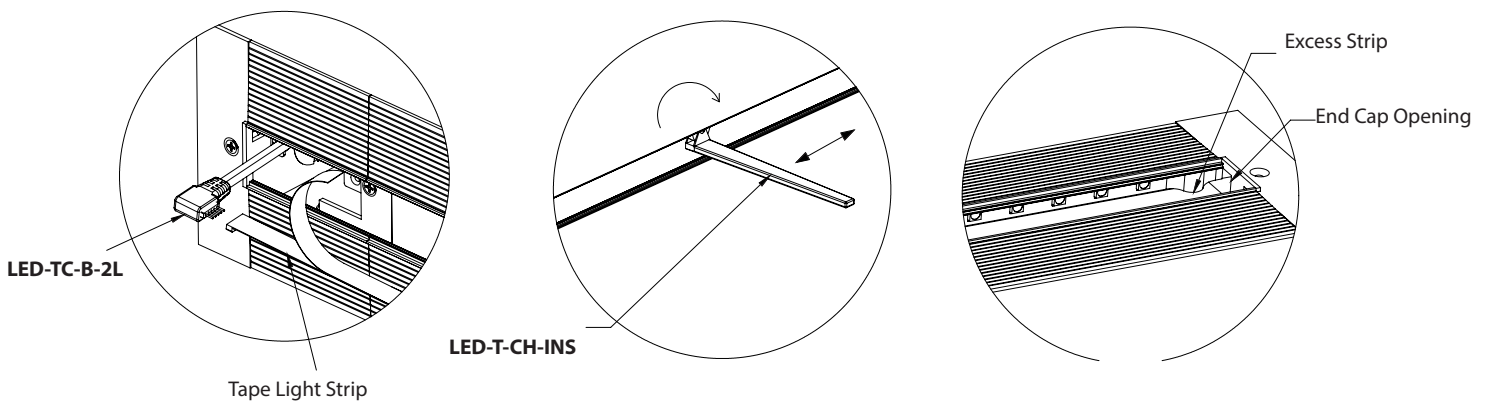
Make sure that the tape light strip is firmly attached to the channel.

Note: There are two positions for installing the tape light strips.

Tape light strips can be installed at either position.

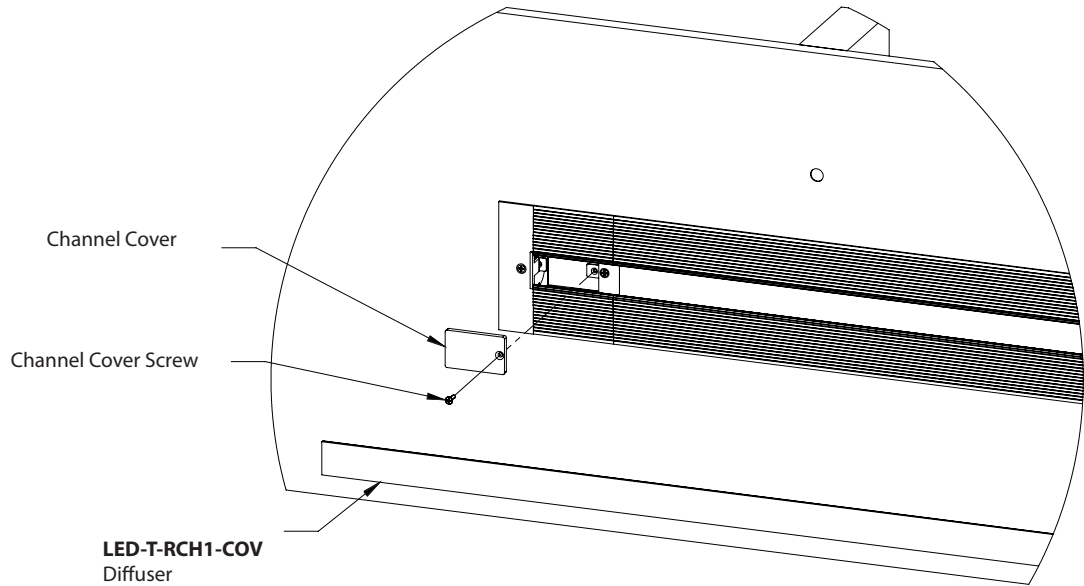
Or two strips can be installed at the same time.

After trimming the tape light strip on cuttable section, place the excess strip behind the drywall through the End Cap Opening.

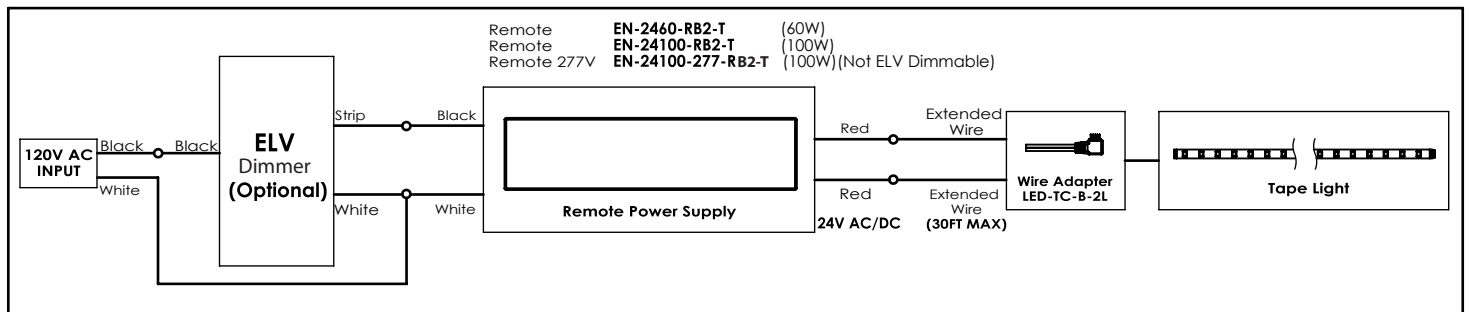


INSTALLATION INSTRUCTION
Symmetrical Recessed Channel
LED-T-RCH1-WT

13. Screw the Channel Cover back to the channel.
 Push the Diffuser **LED-T-RCH1-COV** onto the channel
 Turn on the power and the installation is finished.



14. General Wiring Diagram



INSTALLATION INSTRUCTION
Symmetrical Recessed Channel
LED-T-RCH1-WT

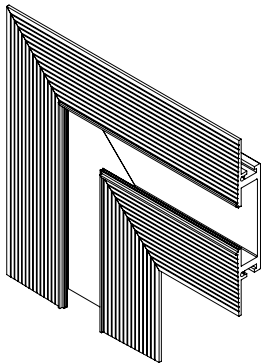
WAC LIGHTING
Responsible Lighting®

LED-T-RCH1-WT Installation Instructions For Angled Configurations

Optional Components Offered:

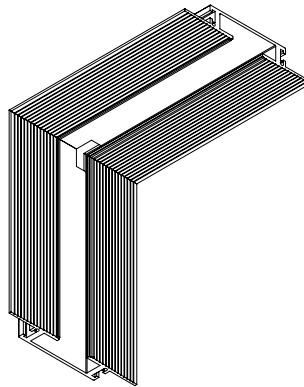
LED-T-CTC1-WT

- Includes:
a) LED-T-CH-PER (2)
b) LED-T-CH-JOIN (1)



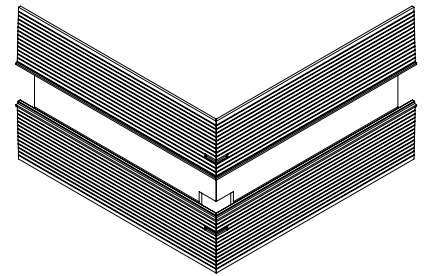
LED-T-WTW1-WT

- Includes:
a) LED-T-CH-PER (2)
b) LED-T-CH-JOIN (1)



LED-T-WTC1-WT

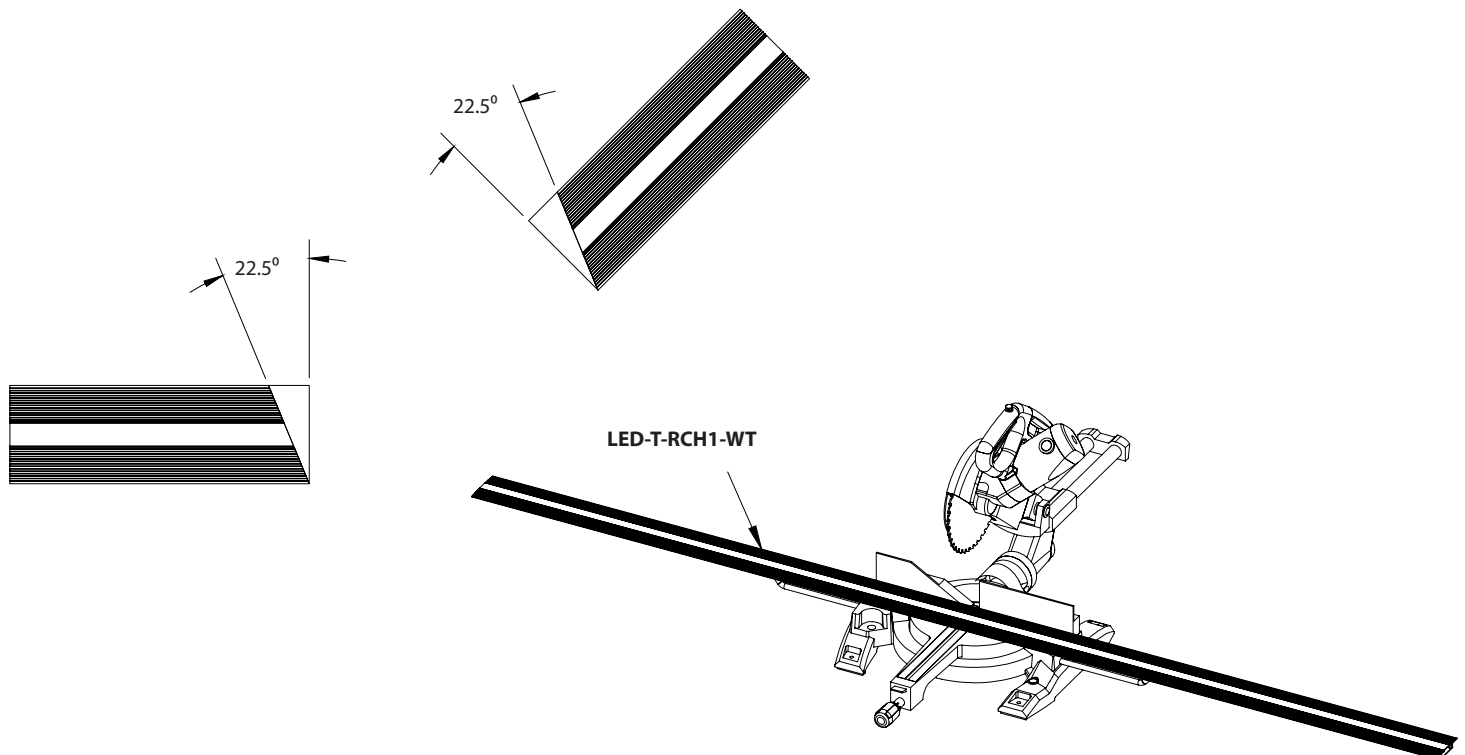
- Includes:
a) LED-T-CH-PER (2)
b) LED-T-CH-JOIN (1)



Miter cut channel sections to match installation angle.

Channel should be cut together with the diffuser to ensure proper fitting. (For example, 45° miter = 22.5° cut for each channel.)

Note: make sure the cut is oriented at the right direction.



wacighting.com
Phone (800) 526.2588
Fax (800) 526.2585

Headquarters/Eastern Factory
44 Harbor Park Drive
Port Washington, NY 11050

Central Factory
1600 Distribution Ct
Lithia Springs, GA 30122

Western Factory
1750 Archibald Avenue
Ontario, CA 91760