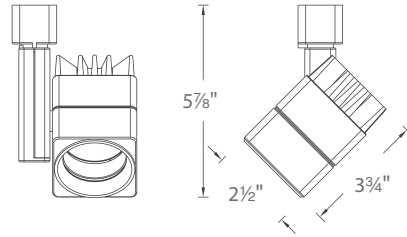
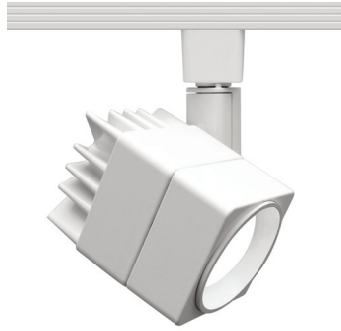


# Model: H/L/J-LED207

## AC LED Track Luminaire

# WAC LIGHTING

Responsible Lighting®



Fixture Type:

Catalog Number:

Project:

Location:

### PRODUCT DESCRIPTION

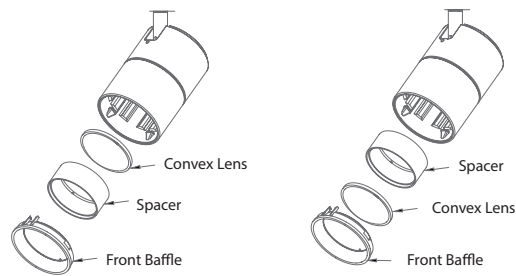
LED207 track luminaire offers driverless AC LED technology and easy change of beam angles in field. Superior light output in a small, unobtrusive design. The high output LEDs outperform halogen 50W MR16. Developed for upscale residential and commercial environments.

### FEATURES

- Driverless AC LED technology
- Compact integrated design
- Easy change of beam angles in field
- Outperforms halogen 50W MR16
- Consistent high quality beam pattern
- Accommodates 1 lens accessory
- 360° horizontal and 90° vertical aiming
- 50,000 hour rated life
- 5 year WAC Lighting product warranty

### BEAMSHIFT™ TECHNOLOGY

LED207 track luminaires come with BeamShift™, allowing in-field change of beam angle simply by changing the location of the lens with a simple flat-head screwdriver.



Flood 40° Configuration  
Convex Lens located behind the spacer

Spot 15° Configuration  
Convex Lens located in front of the spacer.

### SPECIFICATIONS

**Construction:** Die-cast aluminum with removable PC lens cap for easy change of lenses or accessories

**Finish:** Black (BK) and White (WT) powder coat paint.

**Driver:** Input voltage: 120VAC 50/60Hz.

**Light Source:** High Voltage AC LED module.

**Dimming:** Dims to 10%-100% with electronic low voltage (ELV) dimmer. Reference dimming report on website for compatibility.

**Standards:** ETL & cETL Listed.

### ORDER NUMBER

Track System	Model	Finish	Voltage	Color Temp	Power	CRI	Beam	Lumens	Efficacy
H H Track L L Track J J/J2 Track	LED207-30	BK Black	120V	3000K	15W	90	15°	600	40 Lm/W
WT White		40°					750	50 Lm/W	

### FINISHES



- **LED207-30** -

Example: H-LED207-30-WT

### LENSES & ACCESSORIES

Model	Color
LENS-16 Color Lens	AMB Amber
	BLU Blue
	GRN Green
	RED Red
	YEL Yellow

WAC Lighting  
www.waclighting.com  
Phone (800) 526.2588 • Fax (800) 526.2585

Headquarters/Eastern Distribution Center  
44 Harbor Park Drive • Port Washington, NY 11050  
Phone (516) 515.5000 • Fax (516) 515.5050

Western Distribution Center  
1750 Archibald Avenue • Ontario, CA 91760  
Phone (800) 526.2588 • Fax (800) 526.2585

# Model: H/L/J-LED207

## AC LED Track Luminaire

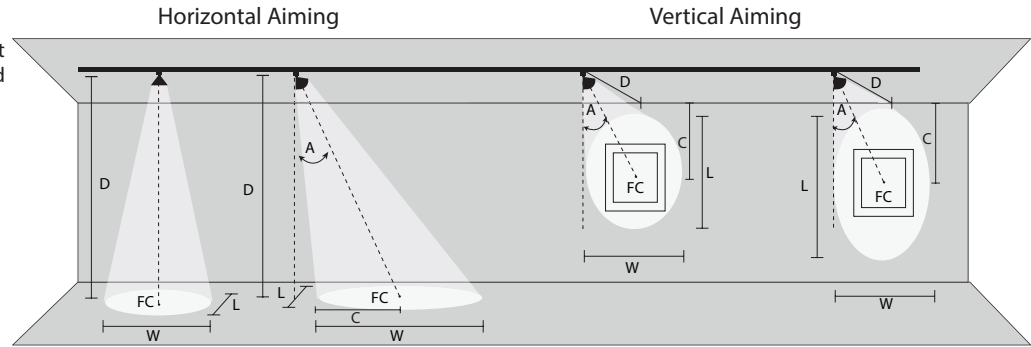
# WAC LIGHTING

Responsible Lighting®

### Application Performance

Beam represents the angle at which light intensity is 50% of CBCP and is measured by **L** and **W**. Footcandle (**FC**) levels are observed at the beam's center and depend on mounting distance (**D**) and aiming angle (**A**).

- D** Distance (ft)
- C** Distance to Beam Center (ft)
- FC** Footcandles
- L** Beam Length (ft)
- W** Beam Width (ft)
- A** Aiming Angle
- CBCP** Center Beam Candle Power



Model	Beam	CBCP	Horizontal A = 0°				Horizontal A = 30°					Vertical A = 30°					Vertical A = 45°				
			D	FC	L	W	D	FC	L	W	C	D	FC	L	W	C	D	FC	L	W	C
<b>LED207-30</b>	15°	3525	6'	98	1.6'	1.6'	6'	64	1.8'	2.1'	3.5'	2'	110	2.2'	1.1'	3.5'	2'	312	1.1'	0.7'	2'
			7'	72	1.8'	1.8'	7'	47	2.1'	2.5'	4'	2.5'	71	2.8'	1.3'	4.3'	2.5'	199	1.3'	0.9'	2.5'
			8'	55	2.1'	2.1'	8'	36	2.4'	2.8'	4.6'	3'	49	3.3'	1.6'	5.2'	3'	138	1.6'	1.1'	3'
			9'	44	2.4'	2.4'	9'	28	2.7'	3.2'	5.2'	3.5'	36	3.9'	1.8'	6.1'	3.5'	102	1.9'	1.3'	3.5'
			10'	35	2.6'	2.6'	10'	23	3'	3.5'	5.8'	4'	28	4.4'	2.1'	6.9'	4'	78	2.1'	1.5'	4'
<b>LED207-30</b>	40°	1620	6'	45	4.4'	4.4'	6'	29	5'	6.1'	3.5'	2'	51	9.7'	2.9'	3.5'	2'	143	3.4'	2.1'	2'
			7'	33	5.1'	5.1'	7'	21	5.9'	7.1'	4'	2.5'	32	12.1'	3.6'	4.3'	2.5'	92	4.2'	2.6'	2.5'
			8'	25	5.8'	5.8'	8'	16	6.7'	8.1'	4.6'	3'	23	14.5'	4.4'	5.2'	3'	64	5'	3.1'	3'
			9'	20	6.6'	6.6'	9'	13	7.6'	9.1'	5.2'	3.5'	17	16.9'	5.1'	6.1'	3.5'	47	5.9'	3.6'	3.5'
			10'	16	7.3'	7.3'	10'	11	8.4'	10.2'	5.8'	4'	13	19.3'	5.8'	6.9'	4'	36	6.7'	4.1'	4'

WAC Lighting  
 www.waclighting.com  
 Phone (800) 526.2588 • Fax (800) 526.2585

Headquarters/Eastern Distribution Center  
 44 Harbor Park Drive • Port Washington, NY 11050  
 Phone (516) 515.5000 • Fax (516) 515.5050

Western Distribution Center  
 1750 Archibald Avenue • Ontario, CA 91760  
 Phone (800) 526.2588 • Fax (800) 526.2585