

INSTALLATION INSTRUCTION

LED201/202/207/208 - AC LED Track Luminaires

H/L/J-LED201, H/L/J-LED202, H/L/J-LED207, H/L/J-LED208

WAC LIGHTING

Responsible Lighting®

WARNING

IMPORTANT: NEVER attempt any work without shutting off the electricity.

- Read all instructions before installing.
- System is intended for installation by a qualified electrician in accordance with the National Electrical Code and local regulations.
- Place the wall switch in the "OFF" position.
- Go to the main fuse box, or circuit breaker. Place the main power switch in the "OFF" position and unscrew the fuse(s) or switch "OFF" the circuit breaker switch(es) that control the power to the fixture or room that you are working on.

AVERTISSEMENT

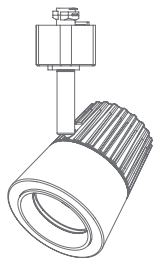
IMPORTANT : Coupez l'électricité avant TOUTE manipulation.

- Lisez toutes les instructions avant d'installer.
- Système est destiné à être installé par un électricien qualifié en conformité avec le code national de l'électricité et les règlements locaux.
- Placez l'interrupteur mural en position d'arrêt (« OFF »).
- Accédez au panneau central de disjoncteurs ou de fusibles de votre demeure et placez l'interrupteur principal en position d'arrêt (« OFF »).

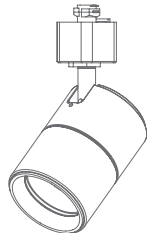
OVERVIEW:

Fixtures are designed for use on WAC Lighting's track systems.

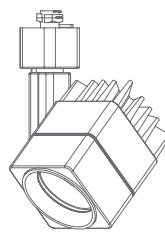
LED TRACK FIXTURE	TRACK SYSTEMS
H-LED201, H-LED202, H-LED207 and H-LED208 Series	H Track
L-LED201, L-LED202, L-LED207 and L-LED208 Series	L Track
J-LED201, J-LED202, J-LED207 and J-LED208 Series	J and J2 Track



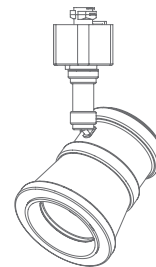
LED201



LED202



LED207



LED208

Note: All parts must be used as indicated in these instructions. Do not substitute any parts, leave parts out, or use any parts that are worn out or broken. Failure to follow this instruction could invalidate the ETL/CETL listing of this fixture.

WAC Lighting
www.waclighting.com
Phone (800) 526.2588 • Fax (800) 526.2585

Headquarters/Eastern Distribution Center
44 Harbor Park Drive • Port Washington, NY 11050
Phone (516) 515.5000 • Fax (516) 515.5050

Western Distribution Center
1750 Archibald Ave • Ontario, CA 91761
Phone (800) 526.2588 • Fax (800) 526.2585

INSTALLATION INSTRUCTION

LED201 - AC LED Track Luminaires

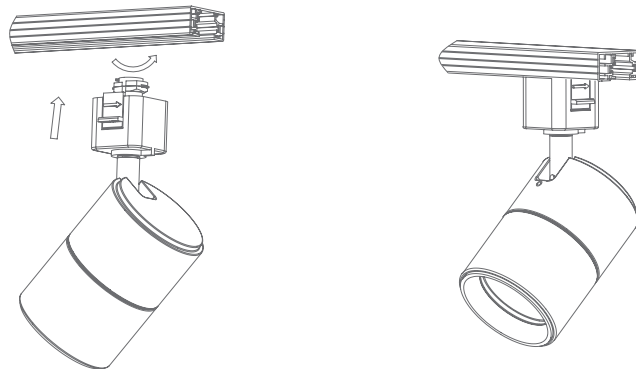
H/L/J-LED201, H/L/J-LED202, H/L/J-LED207, H/L/J-LED208

WAC LIGHTING

Responsible Lighting®

FIXTURE INSTALLATION:

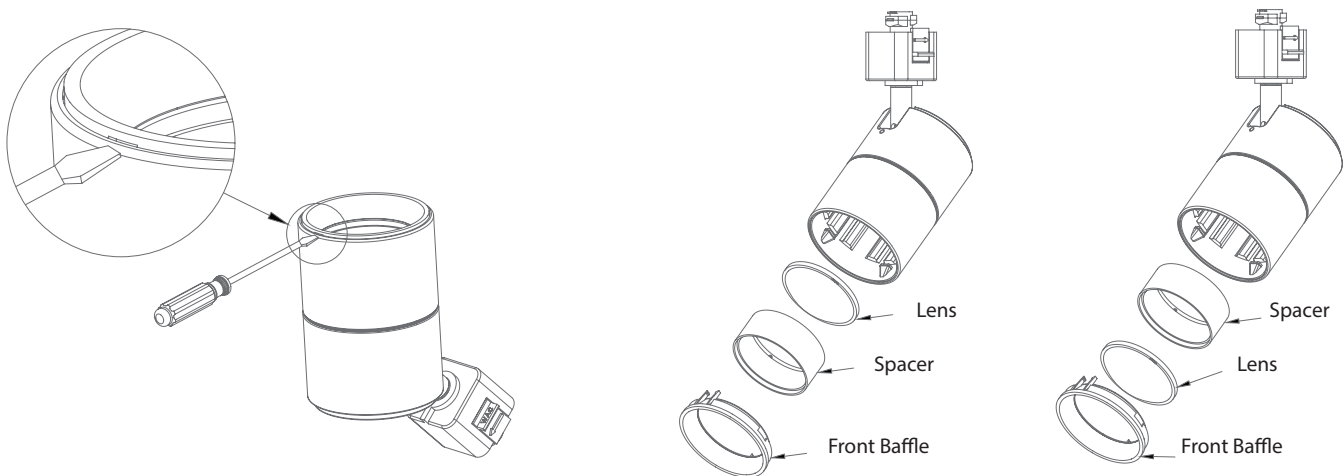
1. The track has a groove running its length to indicate polarity and the locking tab has an arrow indicating locking direction.
2. Insert adapter into track slot. The arrow should point to the grooved side of the track.
3. Push up and rotate the adapter into the lock position.
4. Reverse procedure to remove. The fixture may be positioned anywhere along the track.



BEAM ANGLE SELECT:

The fixture has two beam angles to be selected: flood and spot.

1. Remove the front baffle with a proper tool.
2. In order to get the flood beam angle; place the lens and spacer into the fixture consecutively.
3. In order to get the spot beam angle; place the spacer and lens into the fixture consecutively.
4. Snap the front baffle back into the fixture.



Flood Light

Spot Light

WAC Lighting
www.waclighting.com
Phone (800) 526.2588 • Fax (800) 526.2585

Headquarters/Eastern Distribution Center
44 Harbor Park Drive • Port Washington, NY 11050
Phone (516) 515.5000 • Fax (516) 515.5050

Western Distribution Center
1750 Archibald Ave • Ontario, CA 91761
Phone (800) 526.2588 • Fax (800) 526.2585

INSTALLATION INSTRUCTION

LED201 - AC LED Track Luminaires

H/L/J-LED201, H/L/J-LED202, H/L/J-LED207, H/L/J-LED208

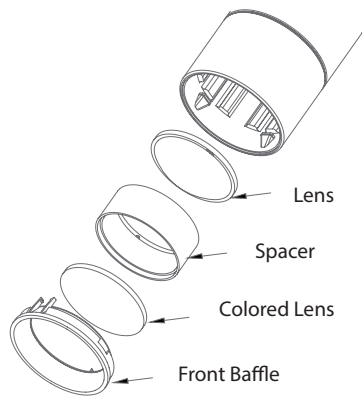
WAC LIGHTING

Responsible Lighting®

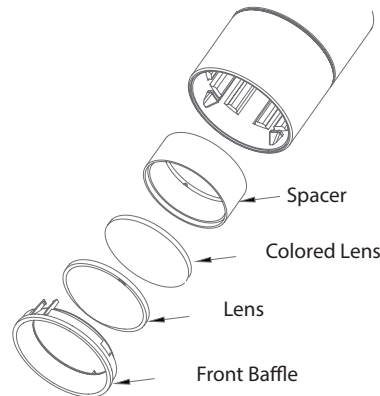
ACCESSORIES (Order separately):

The fixtures can accommodate colored glasses as accessories. The colored glasses can be installed in two ways depending on the desired beam angle.

1. Remove the front baffle with a proper tool.
2. In order to get the flood beam angle in color; place the lens, spacer and colored glass into the fixture consecutively.
3. In order to get the spot beam angle in color; place the spacer, colored glass and lens into the fixture consecutively.
4. Snap the front baffle back into the fixture.



Flood Light



Spot Light