

Stratos 24 and 30 Chandelier

700STR_ 1.3



GENERAL PRODUCT INFORMATION:

These fixtures are intended to be installed utilizing NEC compliant junction boxes.

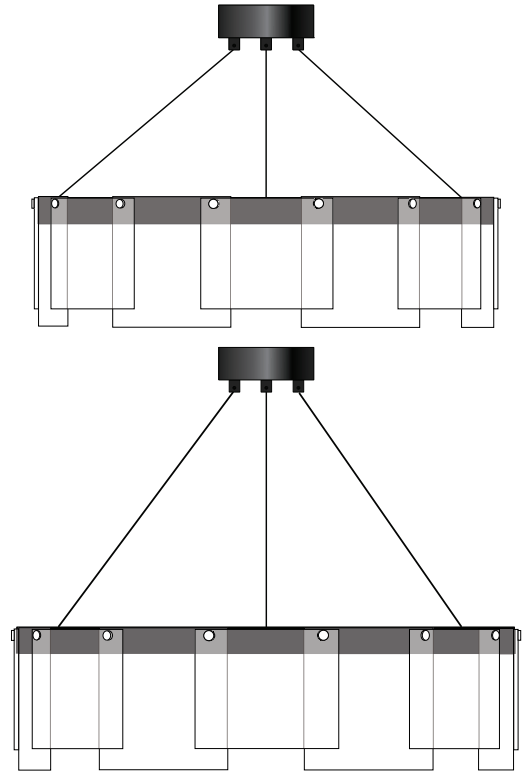


This product is suitable for damp locations.

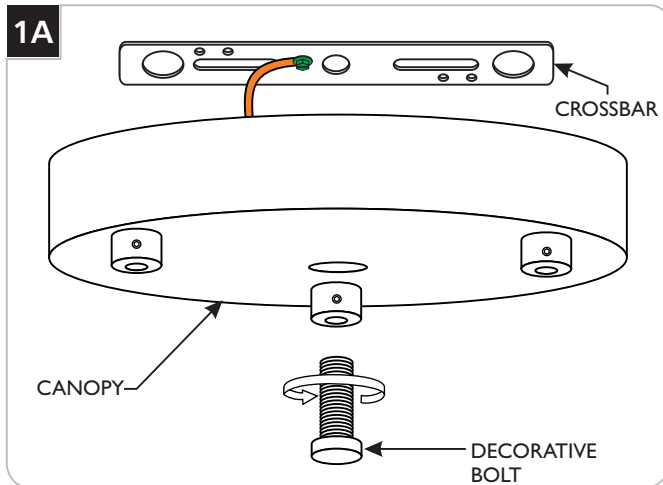
This product can be dimmed with a TRIAC, low-voltage electronic or 0-10V dimmer.

CAUTION - RISK OF FIRE
 This product must be installed in accordance with the applicable installation code by a person familiar with the construction and operation of the product and the hazards involved.
Use minimum 90°C supply conductors.

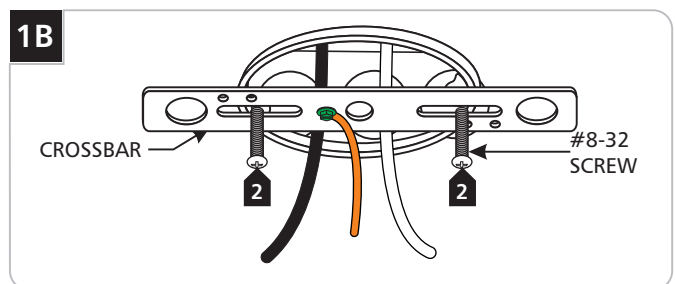
SAVE THESE INSTRUCTIONS!



Prepare the Canopy

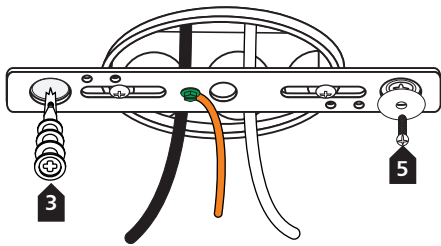


1 Remove the crossbar from the canopy by completely unscrewing the decorative bolt.



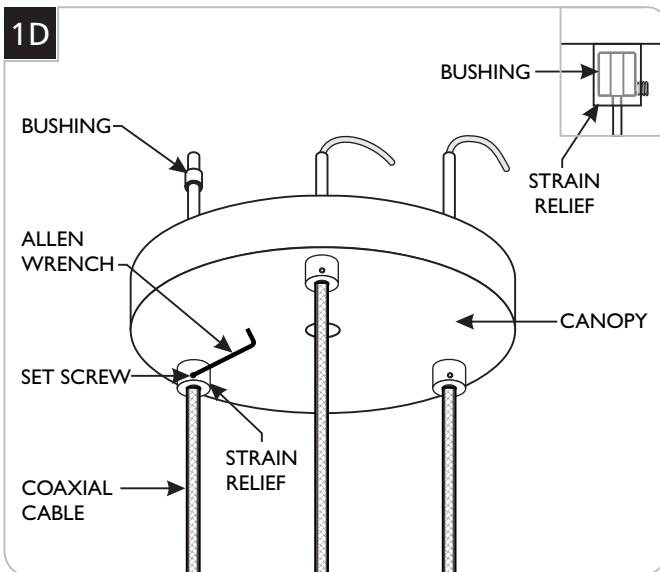
2 Mount the crossbar assembly to the electrical box with the two provided #8-32 screws.

1C



- 3 Line an anchor tip with the center of an anchor holes, and push the anchors into the wall up to the threads.
- 4 Screw the anchors in the rest of the way with a Phillips-head screwdriver.
- 5 Slide each #8 screw through a washer, and screw them into the anchors to secure the mounting plate.

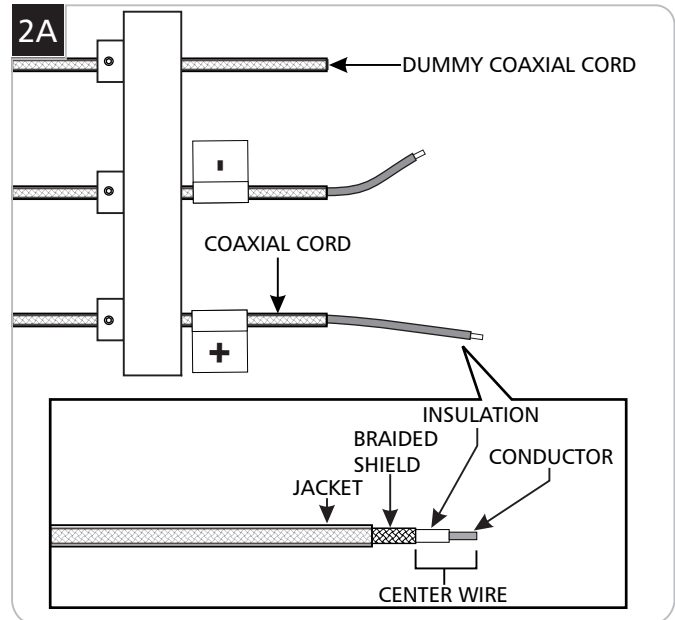
1D



- 3 Using the provided Allen wrench, loosen (**Do Not Remove**) the set screw on each strain relief.
- 4 Place the fixture on a level surface.
- 5 Evenly pull the three coaxial cables through the canopy until it reaches the length desired.
- 6 Install the inner bushings onto each coaxial cord and slide them down and into the strain reliefs.
- 7 Ensure that the canopy is level and re-tighten the set screws on the strain reliefs.

Shorten the Cords (Optional)

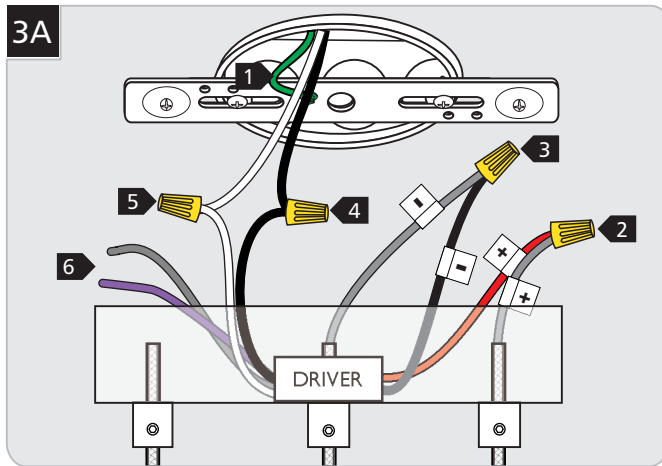
2A



NOTE: If shortening is necessary, ensure that the cable identifiers are not removed during installation. If no shortening is necessary, skip to section 3A.

- 1 Leave 8" behind for wire connections, cut off the excess cord. **NOTE: This fixture contains one dummy coaxial cable.**
- 2 From the end of the cord, strip the jacket and braided shield 4" using a sharp knife. **Make sure not to nick the center wire.**
- 3 Strip the insulation from the end of the center wire to expose the conductor.

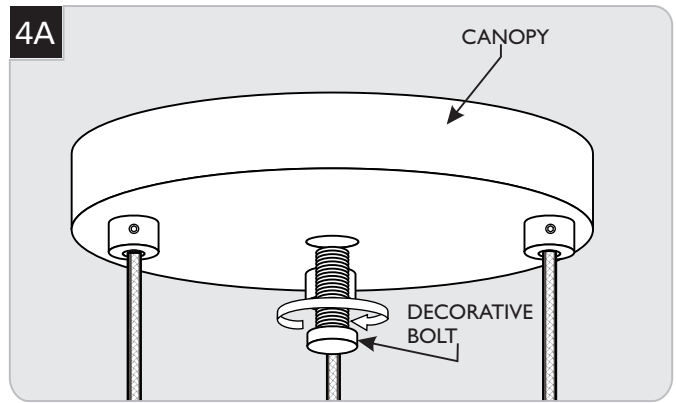
Wire the Fixture



- 1 Connect the fixture ground wire to a suitable ground in accordance with local electrical codes.
- 2 Connect the red driver wire labeled "+" (positive) to the fixture wire labeled "+" (positive) with a wire nut **NOTE: Ensure that the inner conductor is being connected, not the braided coaxial shield (see diagram in 2A).**
- 3 Connect the black driver wire labeled "-" (negative) to the fixture wire labeled "-" (negative) with a wire nut **NOTE: Ensure that the inner conductor is being connected, not the braided coaxial shield (see diagram in 2A).**
- 4 Connect the black 120V input to the hot power line wire with a wire nut.
- 5 Connect the white 120V input to the neutral power line wire with a wire nut.
- 6 Connect the purple and grey wires for a 0-10V dimming application.

NOTE: The purple and gray wires are only used for 0-10v dimming. For all other applications, use wire nuts to cap off and do not use the purple and grey wires.

Complete Installation

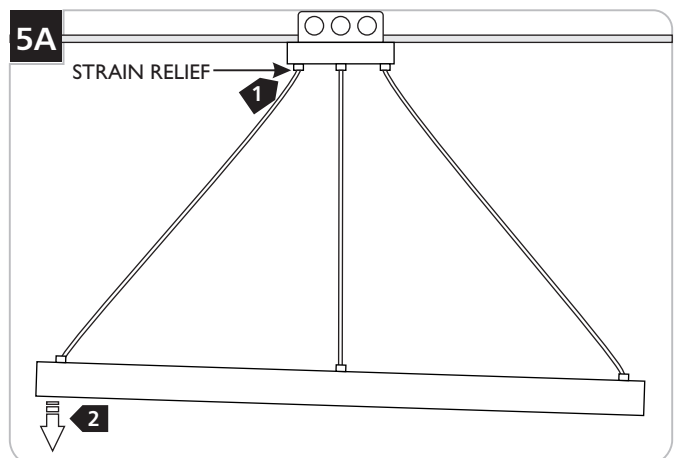


- 1 Place all wires and wire nut connections properly inside the canopy.
- 2 Align the canopy center hole with the crossbar center hole.
- 3 Slide the canopy up against the ceiling and secure it in place by tightening the decorative bolt.

Additional Leveling (optional)

NOTE: If necessary, minor leveling adjustments to the fixture may be needed. It is recommended that one person hold the fixture straight with the use of a level while the other adjusts the coaxial cable.

CAUTION: Only pull out extra cable for leveling if enough cord was left behind the canopy. Minimal amounts of cord should be pulled out for fine leveling.

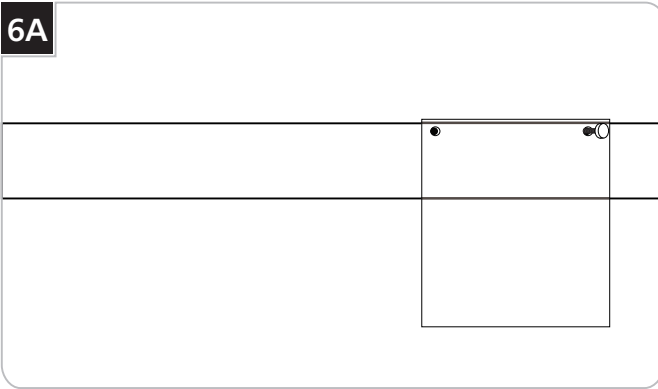


CAUTION: Make sure to support the fixture if fine leveling is necessary.

- 1 Loosen (do not remove) the set screws on the canopy strain relief on the side which needs adjusting.
- 2 Evenly and gently pull out the coaxial cable, in very small increments, through the strain relief to adjust whichever side to level the fixture.
- 3 Ensure that the fixture is level and re-tighten the set screw on the strain relief.

Install Glass Panels

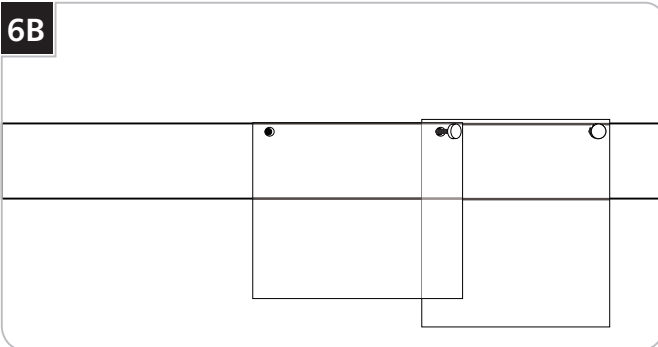
6A



NOTE: It is recommended that two people complete the following steps to ensure the glass is installed safely.

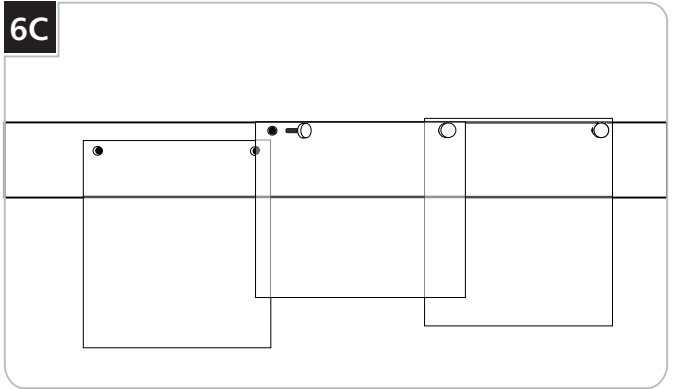
- 1 Start with one of the large glass panels and secure one side of it by using a provided thumb screw. (**Do Not Over-Tighten Thumb Screws.**)
- 2 Have an assistant continue to support other end of the glass by hand.

6B



- 3 While continuing to support the first glass panel take one of the small glass panels and lay it over the large piece and align the holes.
- 4 Secure both pieces in place by using a provided thumb screw.
- 5 Support the other side of the small glass panel as done for the large panel in step 2.

6C



- 6 Take a large panel and slide it under the small panel installed in the last step, align the mounting holes and secure in place with a provided thumb screw.
- 7 Continue this process until you have install all glass panels.

NOTE: The first thumb screw will have to be removed and reinstalled at the end of this

 **TECH LIGHTING**

7400 Linder Ave., Skokie, IL 60077
T 847.410.4400 | F 847.410.4500
www.techlighting.com