



Project: _____

Location: _____

Fixture Type: _____

Catalog Number: _____

AVAILABLE FINISHES:



Step Light

SL-LED200

PRODUCT DESCRIPTION

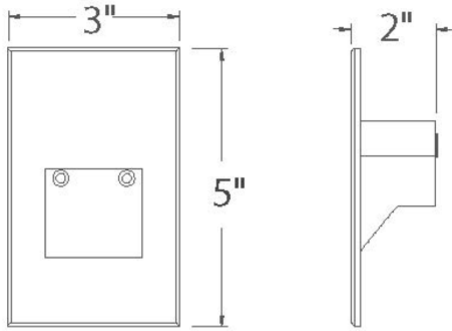
Elevate your design and step up to a minimalist aesthetic that highlights a low profile style that flush mounts for a clean look. Ideal lighting for safety and security. A frosted lens delivers beautiful balanced illumination that is shadow free with little glare. Wet listed for both interior and exterior application on stairs and walls.

FEATURES

- ACLED driverless technology
- Low profile, flush to wall aesthetics with no visible hardware
- Frosted lens
- "Fits into 2" x 4" J-Box with minimum inside dimensions of 3" L x 2" W x 2" H. Includes bracket for J-Box mount."

SPECIFICATIONS

Rated Life	54000 Hours
Standards	ETL, cETL, Wet Location Listed, IP66, Title 24 JA8: 2019 Compliant
Input	120 VAC, 50/60Hz
Dimming	ELV
Mounting	Can be mounted on wall in all orientations
Color Temp	3000K
CRI	90
Construction	Die cast aluminum, 316 Marine grade stainless steel



SL-LED200

Model & Size	Color Temp	Finish	LED Watts	LED Lumens	Delivered Lumens
SL-LED200 5"	3000K	BK Black	3.2W	228	19
	3000K	SS Stainless Steel	3.2W	228	30
	3000K	WT White	3.2W	228	56

Example: **SL-LED200-30-WT**

For custom requests please contact customs@modernforms.com