

## PRODUCT FEATURES

- From the brand formerly known as Tech Lighting
- Creates a visual canopy and brings human scale to spaces with taller ceilings
- This item is made of natural brass. It is a living finish that will patina and warm with age which adds richness. If it gets an uneven patina or spots, a brass cleaner can restore the finish
- Provides up and down light that are powered by two separate drivers. Can be independently used with two switches.
- Includes (8) 6" and (16) 12" rigid stems in coordinating finish.
- Fully dimmable integrated LED lamp. Driver is remote.



## LAMPING

Includes 140 watts, 10800 total delivered lumens, 2700K LED module. 120V Dimmable with most LED compatible ELV and TRIAC dimmers. 277V dimmable 0-10V dimmers. Ships with (16) 12" and (8) 6" rigid stems in coordinating finish. 120V or 277V. Up and downlight.

Black



Black

Natural Brass

## ORDERING INFORMATION

| 700LSSTG | LENGTH (A) | FINISH             | LAMP   |
|----------|------------|--------------------|--|
|          | 84 84"     | NB NATURAL BRASS   | -LED927 INTEGRATED LED 90 CRI 2700K 120V     |
|          |            | B NIGHTSHADE BLACK | -LED927-277 INTEGRATED LED 90 CRI 2700K 277V |

700LSSTG \_\_\_\_\_

JOB NAME \_\_\_\_\_

NOTES \_\_\_\_\_

\_\_\_\_\_

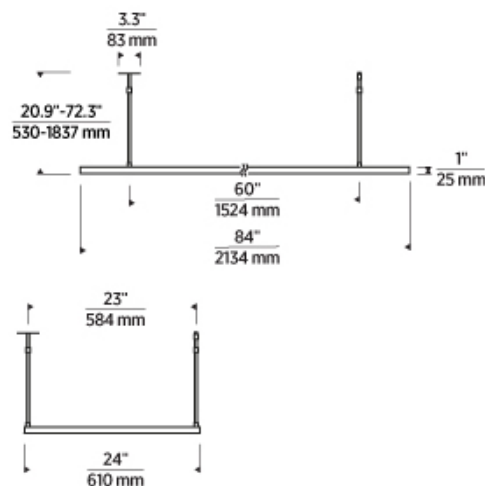


# STAGGER HALO 84 LINEAR SUSPENSION

VISUAL COMFORT & Co.

## SPECIFICATIONS

|                               |                                    |
|-------------------------------|------------------------------------|
| PRIMARY MATERIAL              | Aluminum, Stainless Steel or Brass |
| SHADE MATERIAL                | Acrylic                            |
| NET WEIGHT                    | 38 lbs                             |
| HEIGHT                        | 1in                                |
| WIDTH                         | 24in                               |
| LENGTH                        | 84in                               |
| UP LIGHT / DOWN LIGHT / BOTH? |                                    |
| WET LISTED                    |                                    |
| DAMP LISTED                   |                                    |
| DRY LISTED                    |                                    |
| MIN. HANGING HEIGHT           | 16.7in                             |
| MAX HANGING HEIGHT            | 72.3in                             |
| TOTAL CORD LENGTH             |                                    |
| TOTAL STEM LENGTH             | Up to 240in                        |
| STEM QTY                      | 24                                 |
| SLOPED CEILING ADAPTABLE?     | No                                 |
| GENERAL LISTING               | ETL Listed                         |
| INCLUDES                      |                                    |



## LAMPING SPECIFICATIONS

|                       | LED LAMP | INTEGRATED LED                | NON LED | NO LAMP |
|-----------------------|----------|-------------------------------|---------|---------|
| DELIVERED LUMENS      |          | 10800                         |         |         |
| WATTS                 |          | 140                           |         |         |
| MAX WATTAGE PER BULB  |          | 140W                          |         |         |
|                       |          | 120V ELV, TRIAC<br>277V 0-10V |         |         |
| CCT                   |          | 2700K                         |         |         |
| CRI                   |          | 90 CRI                        |         |         |
| LED LIFETIME          |          |                               |         |         |
| L70                   |          | >50000                        |         |         |
| AVERAGE BULB HOURS    |          |                               |         |         |
| FIELD SERVICEABLE LED |          |                               |         |         |
| LAMP BASE             |          | Integrated LED                |         |         |
| LAMP SHAPE            |          | Integrated LED                |         |         |
| LAMP INCLUDED?        |          | True                          |         |         |
| WARRANTY**            |          | 5 Years                       |         |         |

\* Dimming information available at [www.techlighting.com/Downloads#dimming](http://www.techlighting.com/Downloads#dimming)

\*\* Visit [techlighting.com](http://techlighting.com) for specific warranty limitations and details.

## T20 / T24 / JA8 INFORMATION

|   | Integrated LED | Replacement LED Lamp | No Lamp * |
|---|----------------|----------------------|-----------|
| This product can be used to comply with California Building Energy Efficiency Standards 2016 Title 24 Part 6 / JA8.                           | Yes            |                      |           |
| This product can be used to comply with California Appliance Efficiency Standards 2016 Title 20 and may be shipped to and sold in California. | N/A            |                      |           |

\* If a light fixture or component does not include a lamp or light source, it is the responsibility of the customer to select a lamp that meets the T24 and T20 requirements.

