

# Sprocket

700FJSP\_

1.6



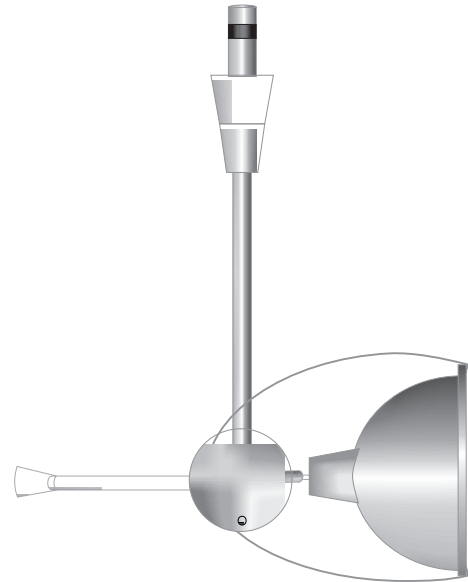
HEADS-LOW VOLTAGE

## GENERAL PRODUCT INFORMATION:



This product is ETL listed and suitable only for indoor dry locations and approved for use at any height above the finished floor.

Wild Thing, Sun Louver Lens Holder, Flight Paper, MR16 Snout, Barndoors, Snap Barndoors, Backlight Shield, Louver Lens Holder, Eggcrate Louver, Glass Lens, Shy, Spy, Jazz Handle, and Steel Wheel are the compatible accessories.

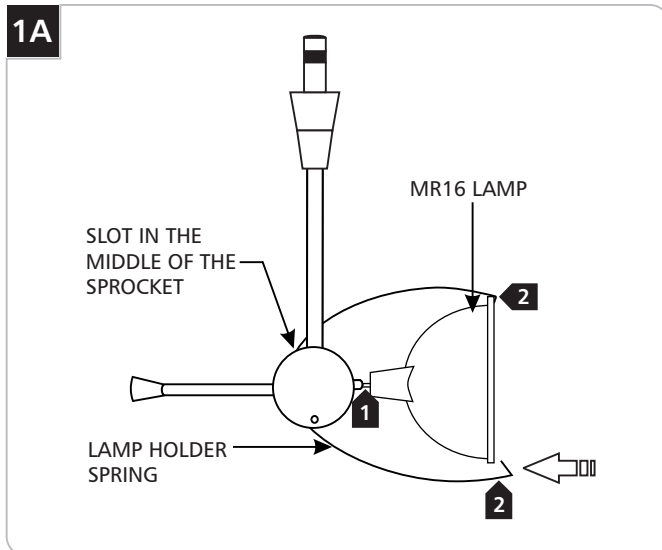


**CAUTION:** To reduce the risk of a burn or electric shock during relamping, disconnect the power to the fixture.

Use **MAX 75 Watt**, MR16 Front Cover Halogen Lamp.

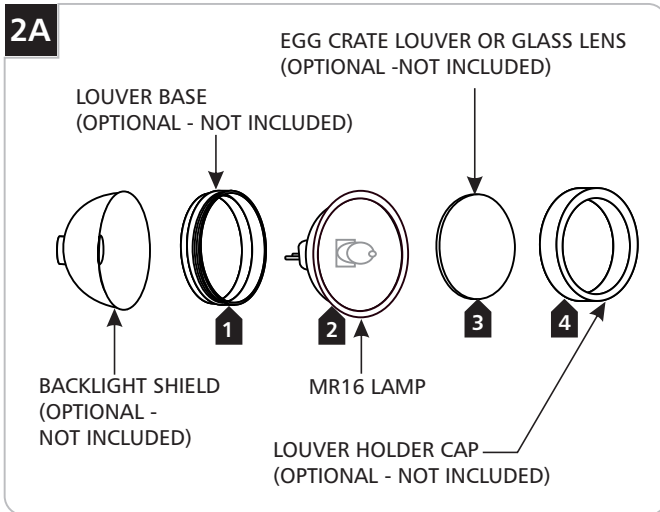


## Lamp Installation Without an Accessory

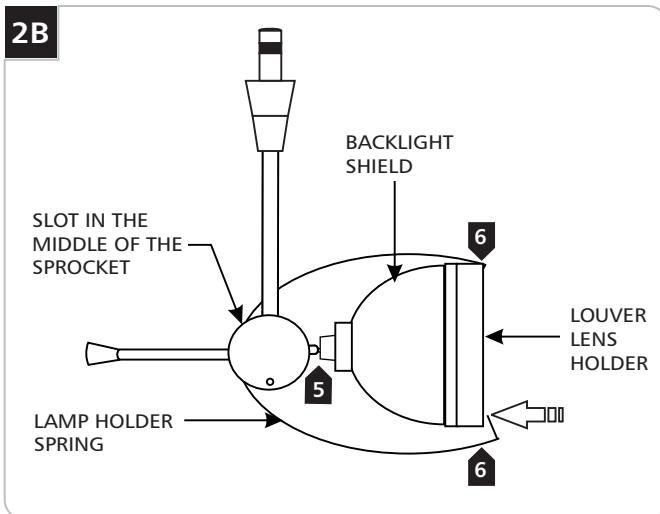


- 1** Line the lamp pins up with the socket and insert the lamp pins all the way into the socket holes.
- 2** Hook one end of the Sprocket lamp holder spring (the small one) on front of the MR16 lamp. Wrap the spring through the slot in the middle of the Sprocket and hook the other end onto the front of the MR16 lamp.

## Lamp Installation With Typical Backlight Shield & Louver Holder Accessory



- 1** Push the louver base (optional-not included) into the backlight shield (optional-not included).
- 2** Insert the MR16 lamp into the louver base with the backlight shield.
- 3** Place the louver (optional-not included) into the louver cap (optional-not included).
- 4** Screw the louver cap onto the louver base.



- 5** Line the lamp pins up with the socket pins and insert the lamp pins all the way into the socket holes.
- 6** Hook one end of the Sprocket louver holder spring (large one) onto the front of the louver holder. Wrap the spring over the slot in the middle of the Sprocket and hook the other end on front of the louver holder.

## IMPORTANT SAFETY INSTRUCTIONS

*To reduce the risk of fire, electrical shock, exposure to excessive UV radiation, or injury to person:*

- Use this fixture indoors only.
- Do not look directly at the lighted lamp.
- Do not remain in light if skin feels warm.
- Risk of fire: Use only the type of lamp and maximum wattage indicated in this instruction manual.
- Never cover the halogen lamp with anything other than a Tech Lighting lamp shield and never place flammable material close to your fixture.
- Never turn the fixture on and off by connecting and disconnecting the halogen lamp.
- Do not touch the fixture shades or lamp shield while the fixture is on. These surfaces may be HOT.

## Halogen Lamp General Information

- A new halogen lamp may smoke slightly when it is used for the first time. This is perfectly normal; the protective coating is simply being vaporized.

## Two Tips For Prolonging Halogen Lamp Life

- First avoid touching the lamp with bare hands during installation. Any contaminant, even the oil from your hands can deteriorate the lamp. Rubbing alcohol can be used to remove any contaminant.
- Second, do not run the lamps at full power when you do not need to. However, if dimming the fixture for an extended period of time, occasionally bring the light up to full brightness for a few minutes to complete the halogen cycle.

**SAVE THESE INSTRUCTIONS!**



7400 Linder Ave, Skokie, IL 60077  
847.410.4400

[www.techlighting.com](http://www.techlighting.com)

© 2008 Tech Lighting, L.L.C. All rights reserved. The "Tech Lighting" graphic is a registered trademark of Tech Lighting, L.L.C. Tech Lighting reserves the right to change specifications for product improvements without notification.  
A Generation Brands Company