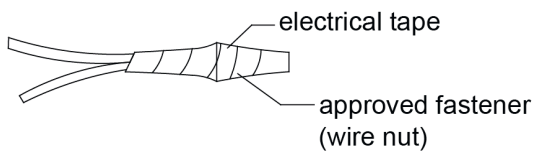
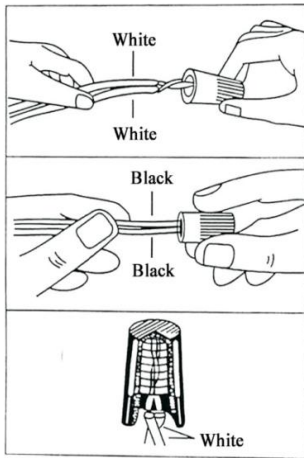
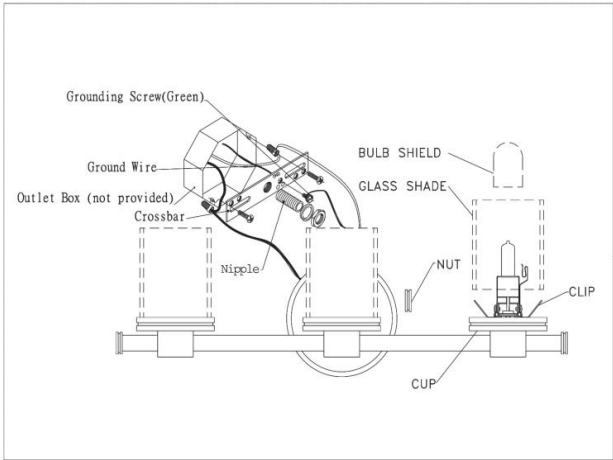


INSTALLATION INSTRUCTIONS

2051, 2052, 2053, 2054, 2055



GENERAL

1. To ensure successful installation, the following instructions and diagram(s) should be read and understood.
2. All electrical connections must be made in accordance with the National Electric code and local codes and ordinances. If you are uncertain how to install electrical wiring and lighting fixtures, secure the services of a qualified licensed electrician.

TOOLS NEEDED

Blade screwdriver, phillips screwdriver, slip joint pliers or small adjustable wrench, wire cutter/stripper, electrical current tester, stepladder and electrical tape.

ASSEMBLING THE FIXTURE

Carefully remove the fixture from the carton, and check that all parts are included, as shown in figure. Be careful not to misplace any of the screws or parts which are needed for installing the fixture. 1 Position crossbar on wall. Align slotted hole in crossbar to threaded holes in Outlet Box. Attach with two screws (Screws not Provided.)

2 Secure crossbar to the wall through the key hole each end.

3 If the GREEN GROUNDING SCREW is supplied with a WASHER. Slip the WASHER over the GREEN GROUNDING SCREW. With the cupped side of the WASHER facing the head of the SCREW. Screw into the small threaded hole in the CROSSBAR. Do not tighten.

CONNECTING THE WIRES

Connecting the wires to the connectors is shown in figure 2

1 Attach the outlet ground wire (green wire or bare copper only) along with the fixture ground wire (if present) to the green grounding screw. Wrap the wire(s) around the green ground screw between the washer and the head of the screw. Tighten the screw. If your wall mounted fixture does not have a ground

wire, it will still be grounded by metal to metal contact with the crossbar.

2 Place the white wires from the fixture evenly against the white wire from the Outlet Box. and then twist together the bare parts of the wires. The finial onto the protruding nipple.

3 Fit the connector over the twisted wires. and screw the connector in place until you feel a firmness.

4 Try gently to pull the connector off the wires. If you can pull the connector off, carefully redo steps

1 and 2 above. and check again for a firm connection.

5 Connect the black wires in the same manner.

6 After the wires are connected, tuck them carefully inside the Outlet Box. And then slip the canopy over the crossbar and lock against the wall by screwing .

NOTE: The important safeguards and instructions outlined on this sheet are not meant to cover all possible conditions and situations that may occur. It must be understood that common sense, caution and care are factors that cannot be built into any product. Caution and care must be supplied by the person(s) installing, operating and maintaining this lighting fixture.

***Fixture may only be used as an uplight**

Thank you for purchasing our lighting fixture.

Please clean with a soft, dry cloth ONLY! Do not use cleansers.

www.hudsonvalleylighting.com