

Project:

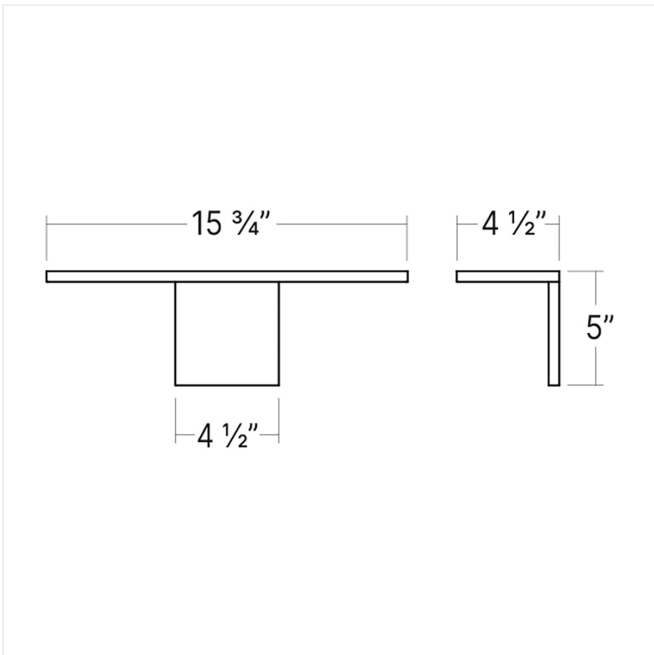
Base Sconce Spec Sheet

SKU: 7535.97

Designed with order and structural efficiency in mind, Base wall mounted sconces accentuate architectural horizons with directed LED light. This timeless geometric form is ideal for commercial, hospitality, and residential settings, including living rooms, hallways, bedrooms, and elegant bathrooms. Base can be scaled across larger settings for an enduring modern presence.

Learn more: <https://sonnemanlight.com/base-sconce>

Type #:



Dimensions

Height:	5"
Width:	16"

Electrical Specs

Bulb(s) Included?:	Yes
Bulb 1 Type:	Integral LED
Bulb Quantity:	1
Input Voltage:	120-277VAC
Wattage:	26
Initial Lumens:	2900
Delivered Lumens:	1800
Kelvin:	3000K
CRI:	90
Power Supply Type:	Driver
Power Supply Quantity:	1
Power Supply Location:	Outlet Box
Dimming Type:	TRIAC/ELV/0-10V

Installation

Installation:	Licensed electrician required
Sloped Ceiling Compatible?:	N/A
Installation Orientation:	Vertical

Shade

Shade Material:	Optical Acrylic
-----------------	-----------------

General Listings

Features:	Damp Rated
Certification:	C-ETL-US
Color/Finish:	Textured Black (.97)

Available Finishes

Available Finishes:	Textured Black (.97), Textured White (.98)
---------------------	--

Available Color Temperatures

Available Color Temperatures:	3000k
-------------------------------	-------