

Labyrinth

2102

Intersections Medium Pendant

Table of Contents

Product Information and Warnings	3
What's in the box	4
Preparing and installing cable grippers	5 - 6
Canopy Installation	7
Connecting fixture elements	8
Building and installing Vertical Sections	9 - 10
Installing Horizontal sections	11 - 12
Coax Splicing	Appendix A

Labyrinth

2102

Intersections Medium
Pendant

Product Information and Warnings

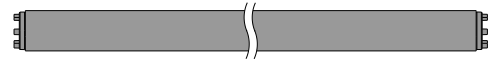
IMPORTANT

- **Always disconnect the power before installing or replacing Luminaires and before cleaning or other maintenance.**
- **Consult a qualified, licensed electrician to ensure correct branch circuit conductor.**
- ***Consulter un électricien qualifié pour vous assurer que les conducteurs de la dérivation sont adéquats.***
- Please read all included assembly instructions and warnings carefully before installation. Contact Customer Service if you have any questions or concerns. Before installation, please confirm that the fixture is compatible with your supply voltage and dimming system, if present.
- LEDs are highly sensitive electronic devices, and must be treated with care. Do not open any factory sealed compartments, and avoid touching the LEDs with your hands or any object.
- Although all our fixtures are equipped with protective devices, LED electronic systems are vulnerable to power surges and supply variations. Do not install LED fixtures on the same circuit as any motors, appliances, or HVAC systems.
- Remote LED Driver installation must be done by a licensed electrician and in accordance with local building and electrical codes. Remote installations should be in an accessible location, as close to the fixture as possible. The appropriate wire gauge must be used to limit the voltage drop to avoid overloading the LED Driver.
- Any mounting hardware is provided for your convenience and should be used with discretion. Always use the appropriate hardware for the mounting surface.

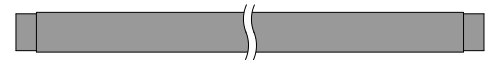
What's in the box

Luminaires and Arms

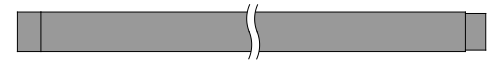
4" Powered Arm (3)
12" Powered Arm (1)



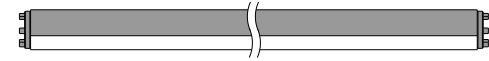
12" Unpowered Arm (1)
28" Unpowered Arm (1)



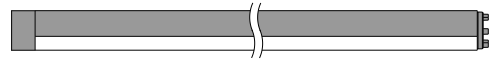
4" Unpowered Arm with Cap (2)
12" Unpowered Arm with Cap (5)
20" Unpowered Arm with Cap (2)



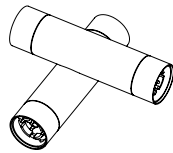
12" Luminaire (1)
20" Luminaire (2)



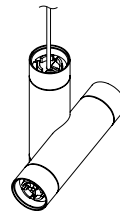
12" Luminaire with Cap (3)
20" Luminaire with Cap (1)



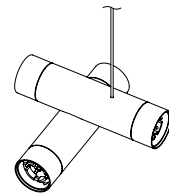
Connectors



Connector (4)

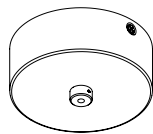


Power Connector (1)

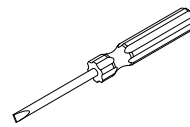


Hanging Connector (2)

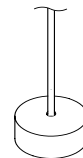
Canopy and Tools



Canopy (1)



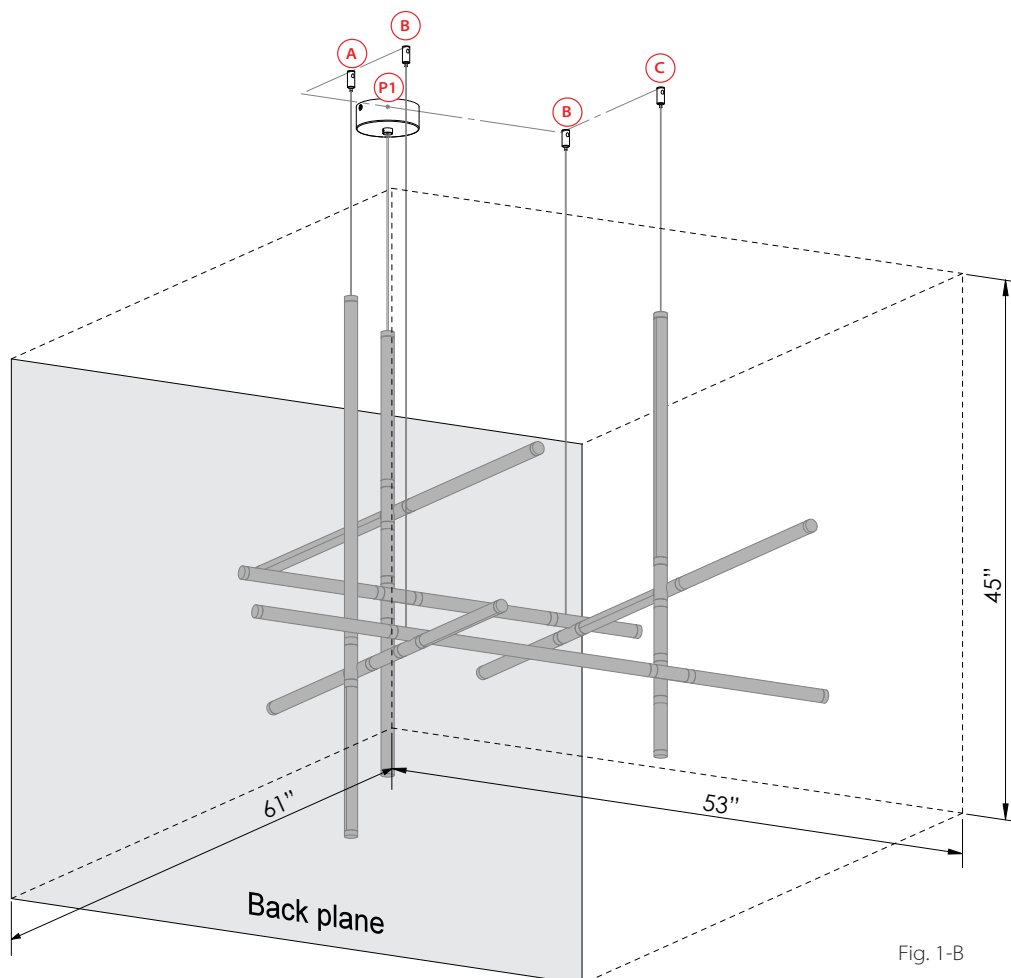
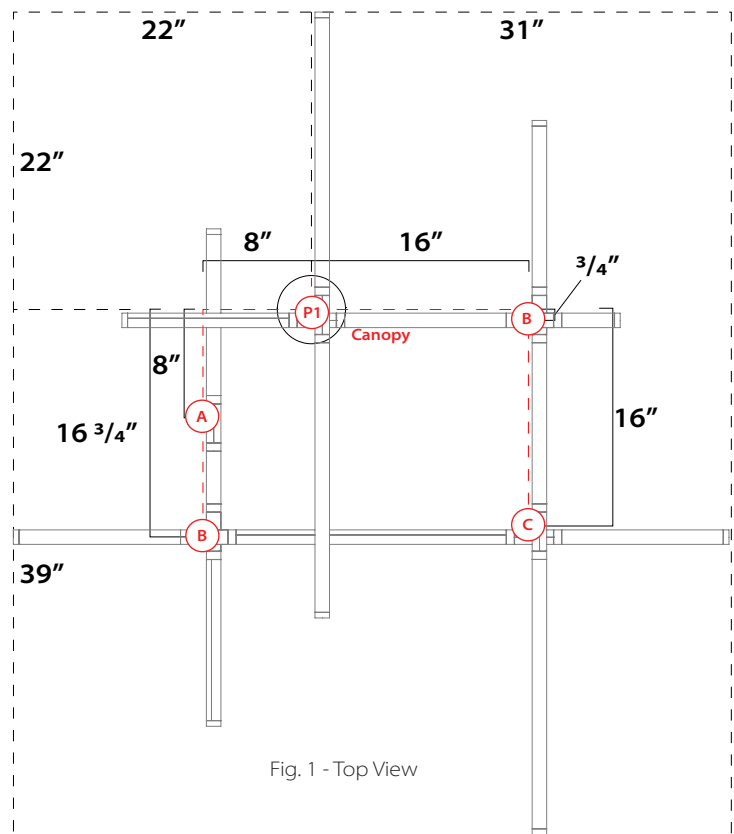
Slotted Screwdriver (1)



Cable with Cap (2)
Power Cord with Cap (1)

Preparing and installing cable grippers

1. Use Fig.1 (top view of the assembly) to map the locations and install the Canopy (P1), and provided Anchors (A-C).
2. Note the perimeter of the fully assembled fixture relative to the center of the canopy.
3. Note the volume of the assembled fixture, the top of Subassembly P1 will be the top of the fixture. Use this to adjust the assembly height. See Fig. 1-B to confirm the suspension point locations in the final assembly.
4. Note the Back plane in Fig. 1-B. This is called out to help determine the orientation of subassemblies and connectors during assembly.



Preparing and installing cable grippers

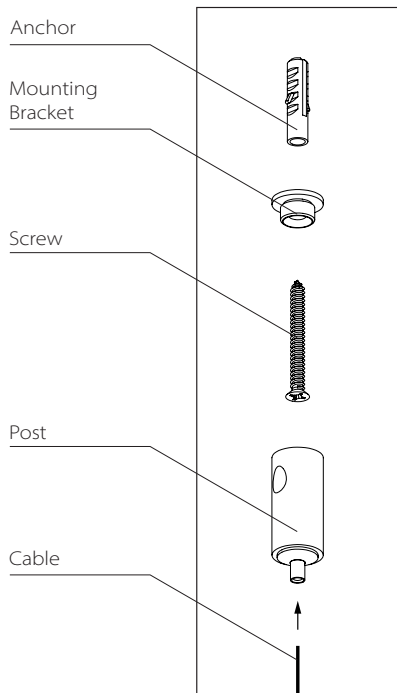


Fig. 2

1. Cable grippers come pre-installed to the cables with caps. Remove this part to prepare for the installation. Press in plunger of Post to remove cable.
 2. Unthread Mounting Bracket from Post.
 3. Install the Mounting Brackets to the ceiling with Anchors and Screws, then screw the Posts onto the Mounting Brackets (Fig. 2).
- CAUTION: Customer is responsible for ensuring appropriate ceiling construction to support the weight of the fixture.**
4. Proceed to assembly steps on Page 6 - Page 9 before installing the cable to the Posts.
 5. Insert the Cable into the Post and adjust to the required height: to shorten, push the cable up; to lengthen, push in the plunger while pulling down on the Cable, release the plunger to lock. Cut off the excess cable where it exits the Post.

CAUTION: Do not cut off excess cable until after the final step when the configuration is fully assembled and leveled.

Canopy installation

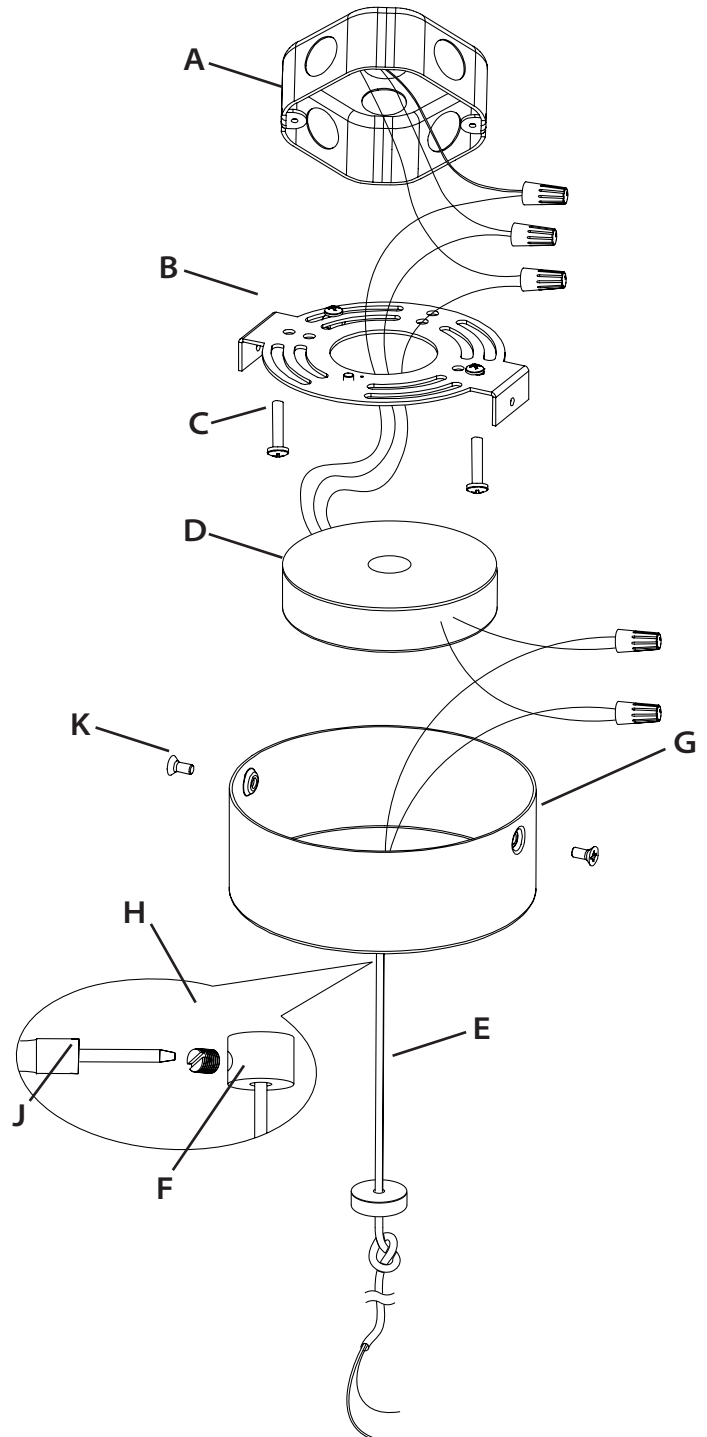
1. Shut off power to the outlet box (A).
2. Secure the mounting plate (B) into the outlet box using included screws (C).
3. Make appropriate electrical connections using wire nuts. If wires need to be cut, see Appendix A for instructions on stripping the coaxial cable.

Note: Use included large wire nuts.

 - a. Connect the LED driver's (D) live wire to the live supply wire.
 - b. Connect the LED driver's (D) neutral wire to the neutral supply wire.
 - c. Connect fixture's ground wire (green or uncoated) to the ground outlet box wire.
 - d. Carefully place connections in outlet box (A).
4. Feed the power cord (E) through the hole in the bushing (F) in the canopy (G) to approximate desired height plus 1 inch and tighten with set screw (H) using included screwdriver (J). This can be adjusted to the desired height later.

Note: Bottom of assembled fixture will be 45 inches below the top of the cap resting on the strain relief knot.
5. Connect the power cord (E) inner conductor to the driver's positive (+) output wire and connect the power cord outer conductor to the driver's negative (-) output wire.

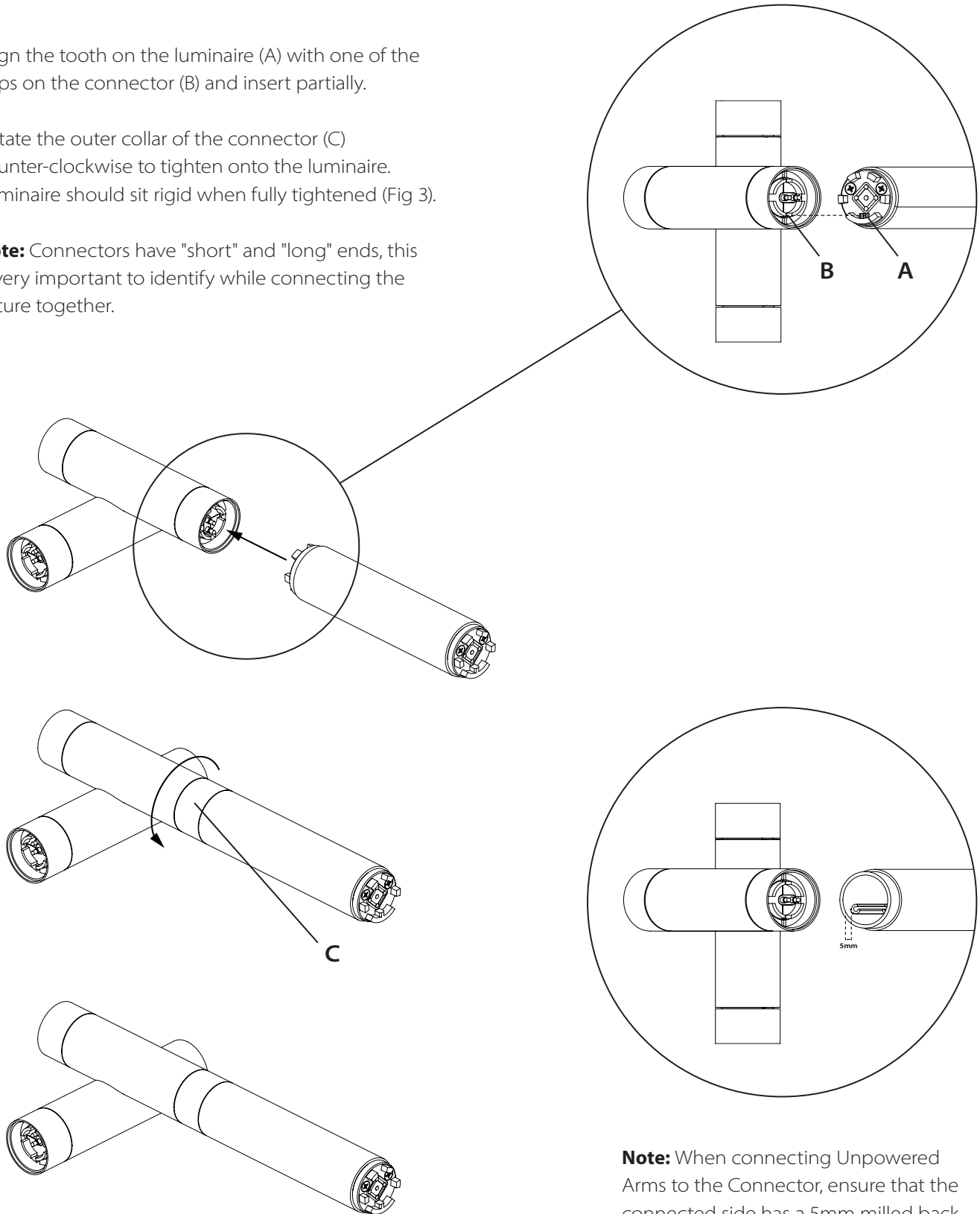
Note: DO NOT UNTIE STRAIN RELIEF KNOT.
6. Reserve extra cord in canopy (G).
7. Attach canopy (G) to mounting plate (B), and secure with countersunk screws (K).



Connecting Fixture Elements

1. Align the tooth on the luminaire (A) with one of the gaps on the connector (B) and insert partially.
2. Rotate the outer collar of the connector (C) counter-clockwise to tighten onto the luminaire. Luminaire should sit rigid when fully tightened (Fig 3).

Note: Connectors have "short" and "long" ends, this is very important to identify while connecting the fixture together.

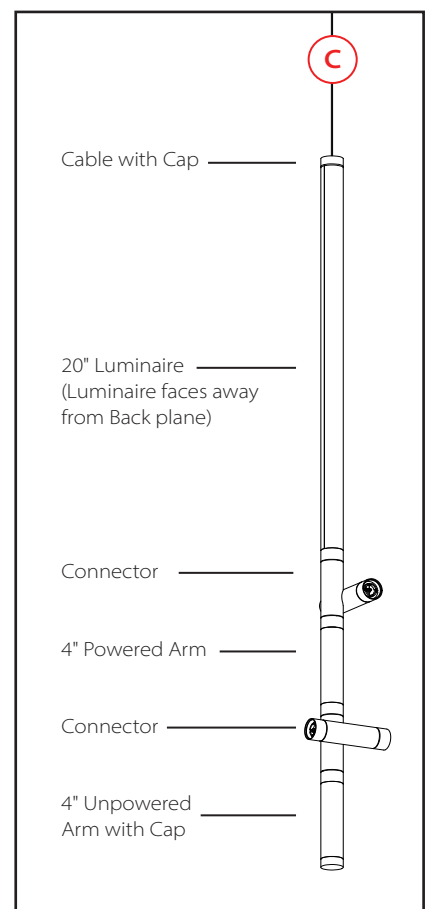
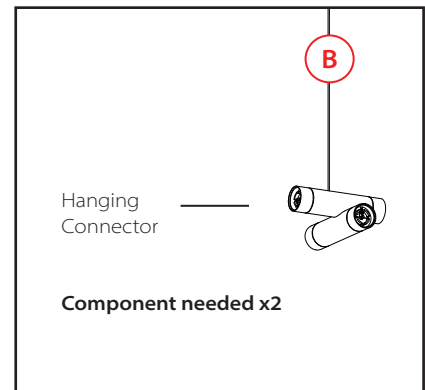
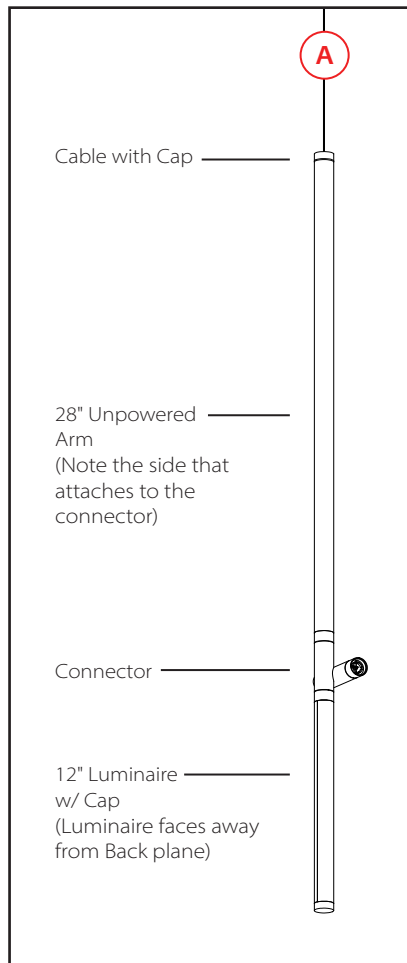
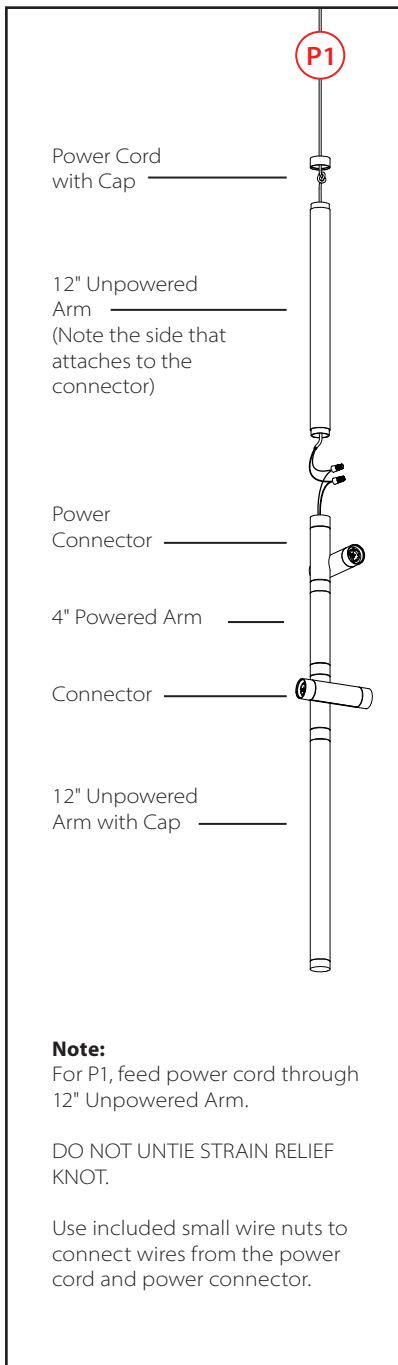


Note: When connecting Unpowered Arms to the Connector, ensure that the connected side has a 5mm milled back section to accommodate the connector.

Fig. 3

Building and Installing vertical sections

Begin assembly by building subassemblies / collecting components shown below. Pay attention to the orientation of components as they are assembled with each other. Confirm their relative positions and direction by referencing Fig. 4 on page 10.



Building and Installing vertical sections

Install the assembled subcomponents to their respective locations. Pay attention to the orientation of the subassemblies relative to the Back plane. (Luminaire faces away from Back plane)

Note: Hang the top of the connectors (B) at the cable lengths indicated relative to the **top of the fixture**. Hang the top of the subassemblies (A, C) to align with the powered subassembly (P1) at the **top of the fixture**.

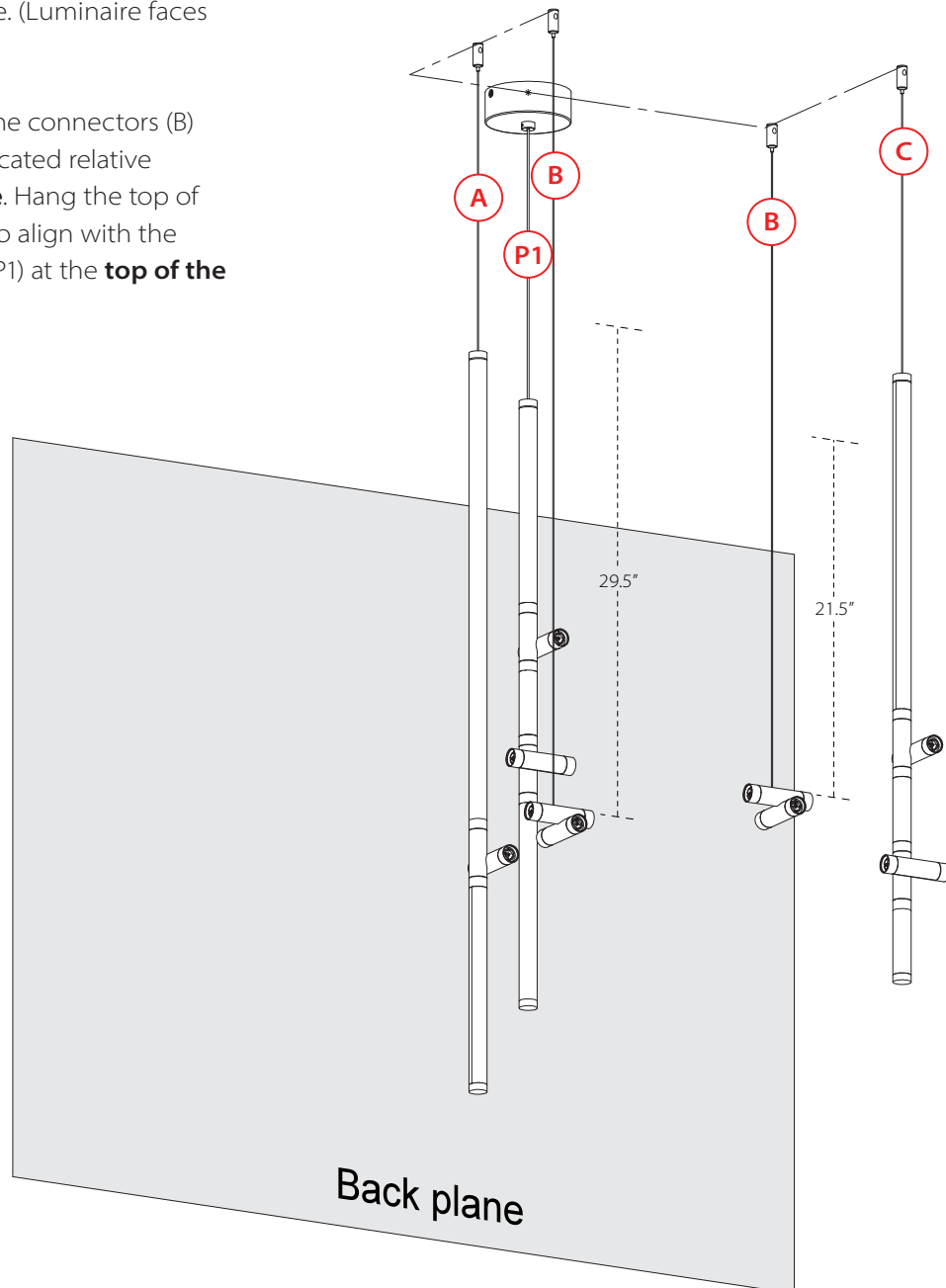


Fig. 4

Installing horizontal sections

Step 1

Using Table 1, install the following components to their respective locations shown in Fig. 5.

Component	Component Type
1	4" Powered Arm
2	20" Luminaire
3	12" Powered Arm
4	12" Luminaire

Table 1

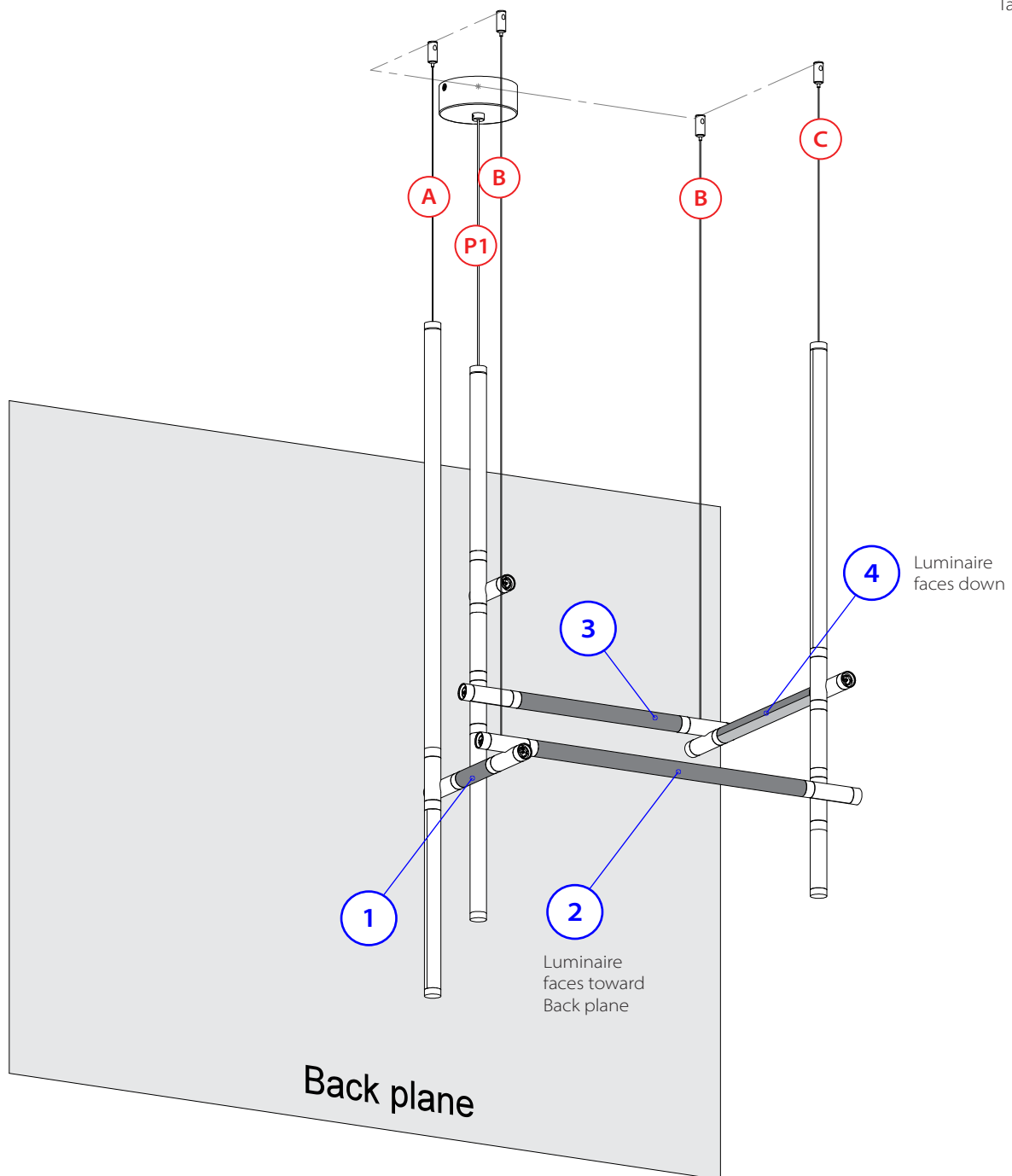


Fig. 5

Installing horizontal sections

Step 2

Using Table 2, install the following components to their respective locations shown in Fig. 6.

Component	Component Type
1	12" Unpowered Arm w/ Cap
2	12" Unpowered Arm w/ Cap
3	12" Luminaire with Cap
4	20" Luminaire with Cap
5	20" Unpowered Arm w/ Cap
6	12" Unpowered Arm w/ Cap
7	20" Unpowered Arm w/ Cap
8	4" Unpowered Arm w/ Cap
9	12" Unpowered Arm w/ Cap
10	12" Luminaire with Cap

Table 2

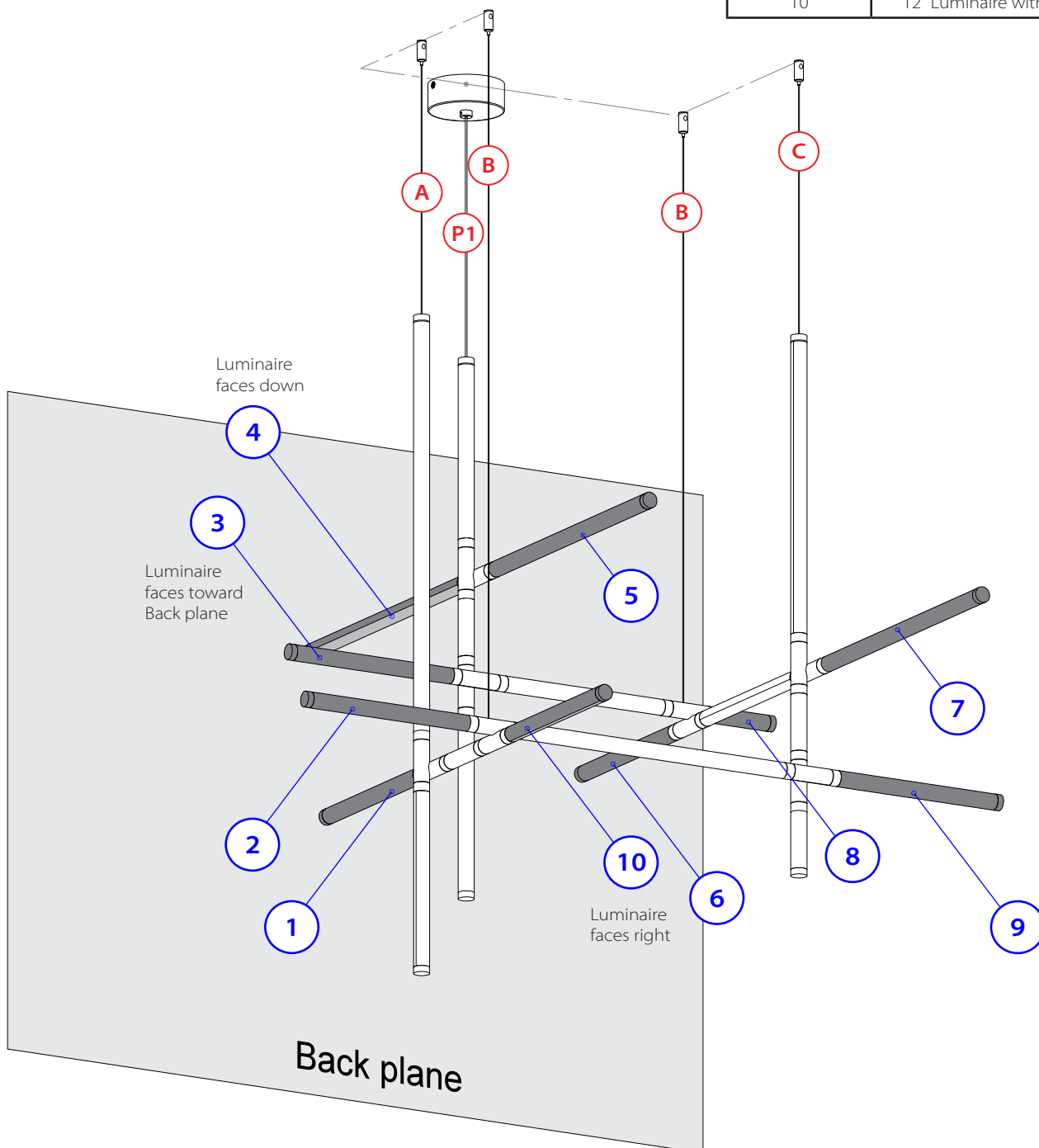
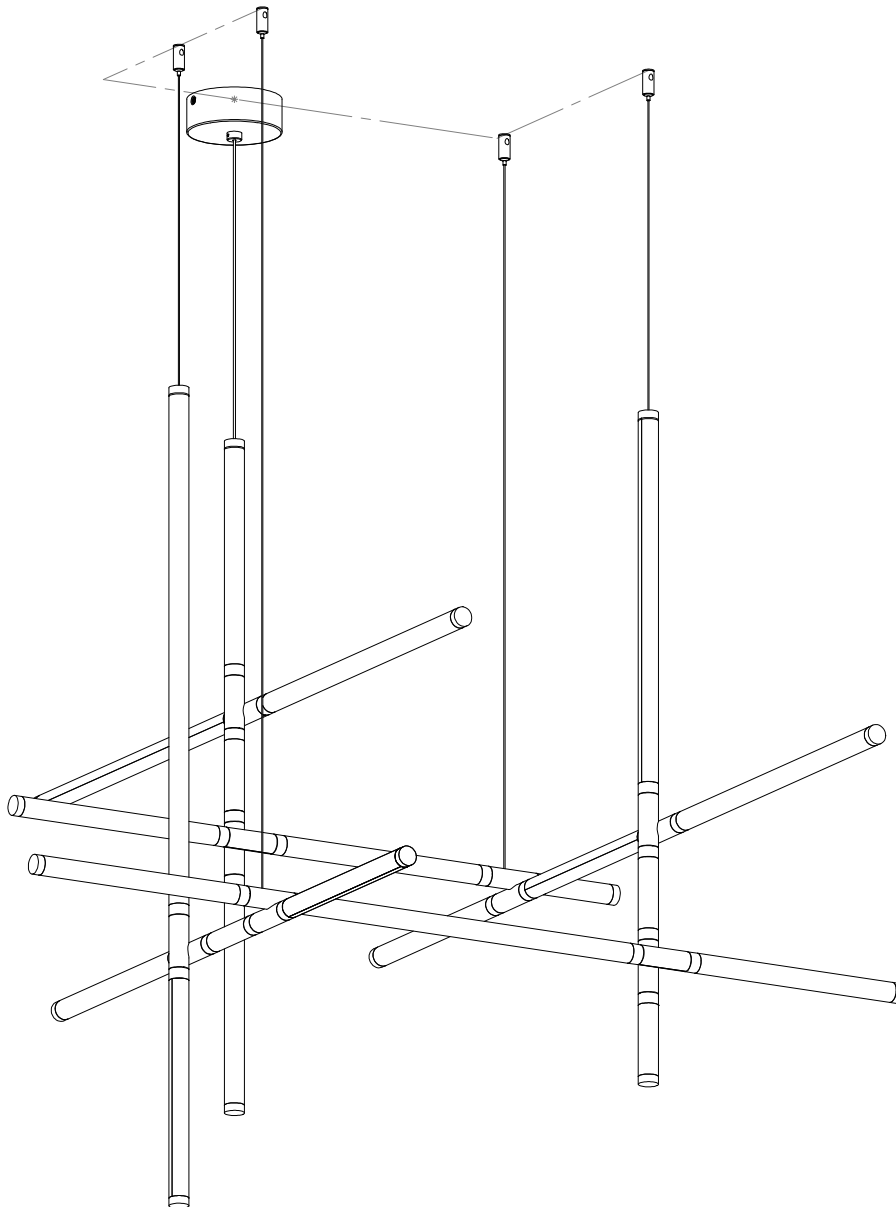


Fig. 6

Completed assembly

Make final adjustments to fixture height and level. Cut excess cable from grippers. Restore power to the outlet box.



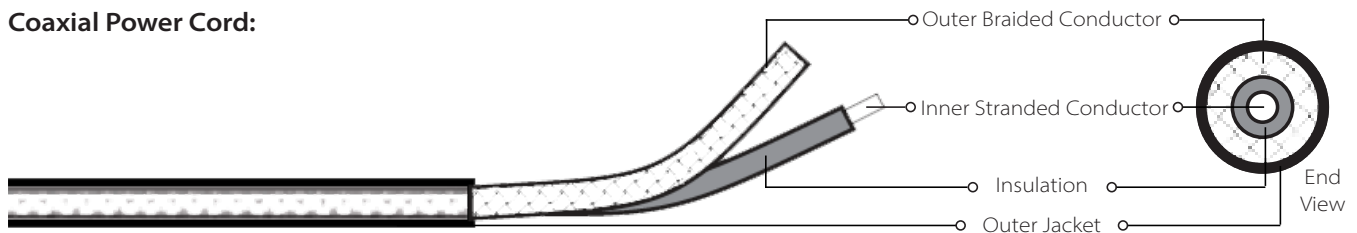
Note:
This fixture is dimmable with ELV (Trailing-Edge), Incandescent (Leading-Edge), and 0-10V type dimmers only.

Care Instructions:
Use a clean, dry cloth when dusting.
To protect the finish, avoid any harsh abrasives or chemicals.

Coax Splicing

FAILURE TO FOLLOW THESE INSTRUCTIONS WILL VOID THE WARRANTY

Coaxial Power Cord:



If field-cutting is required, please follow these instructions:

1. Make a 1" slice along the length of the cord's outer jacket (Fig. 1).
CAUTION: Do not cut through the outer braided conductor.
2. Carefully strip the outer jacket of the cord and keep the outer braided conductors intact (Fig. 1).
3. Slide the outer braided conductor back to create a bulge and reveal the inner stranded conductor (Fig. 2).
4. Bend the cord to create an opening through the bunched-up portion of outer braided conductor, then pull out the inner stranded conductor (Fig. 3)
5. Twist together the outer braided conductor to form the negative wire of the fixture, then strip 5/8" off the end of the inner stranded conductor to form the positive wire of the fixture (Fig. 4).
6. Re-splice all power cords.

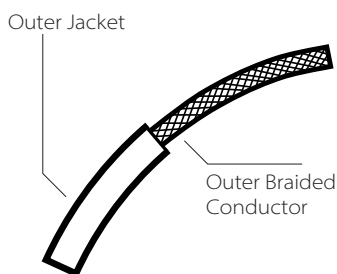


Fig. 1

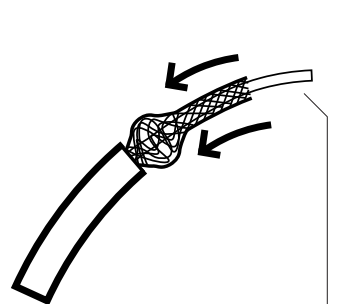


Fig. 2

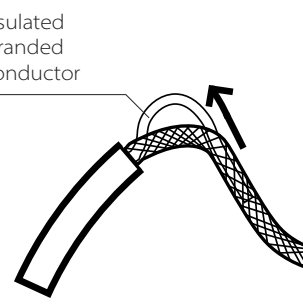


Fig. 3

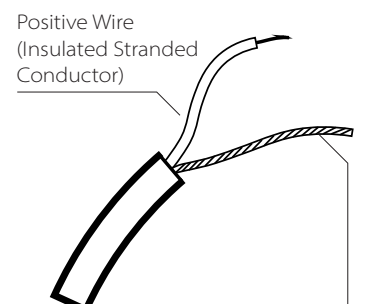


Fig. 4

Negative Wire
(Outer Braided Conductor)