

Assembly Instructions

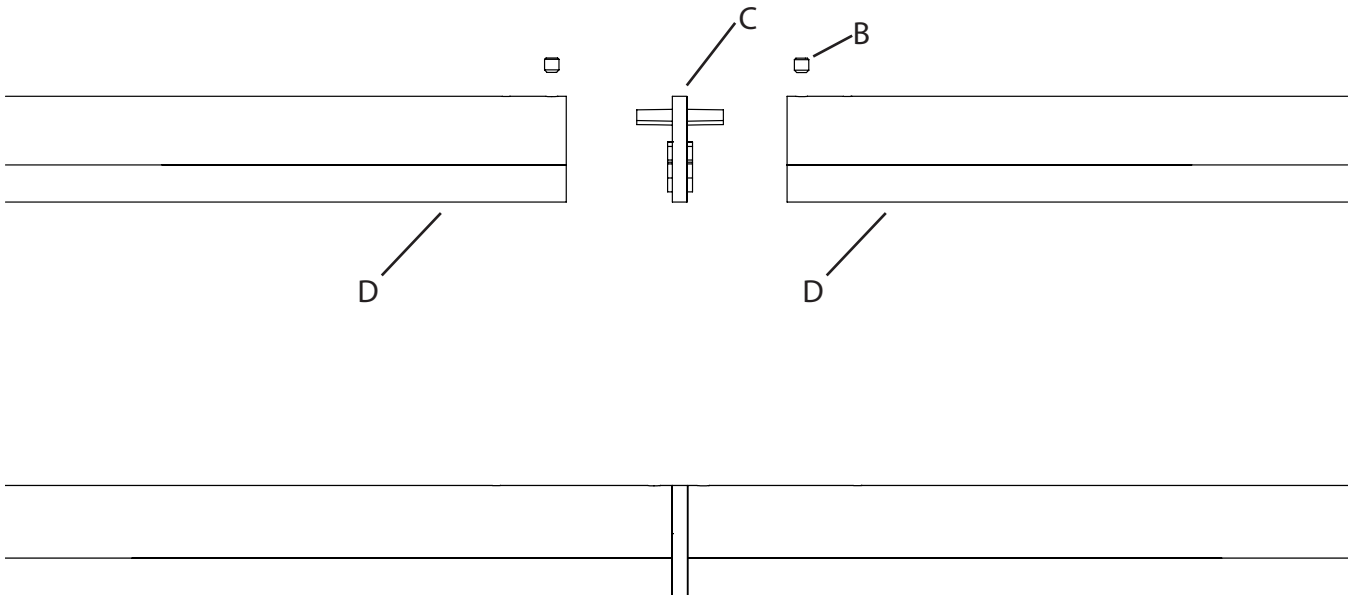
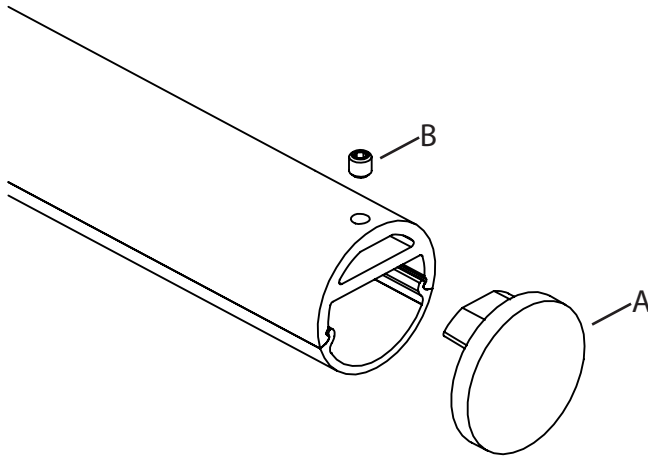
CUP.3775

INSTRUCTIONS D'INSTALLATION

Fino Series - Coupler

Important

- Always disconnect the power before installing or replacing bulbs and before cleaning or other maintenance.
- Consult a qualified, licensed electrician to ensure correct branch circuit conductor.
Consulter un électricien qualifié pour vous assurer que les conducteurs de la dérivation sont adéquats.



1. Remove endcaps (A) from one end of each fixture by loosening set screws (B) with included Allen wrench.
2. Install coupler (C) into both fixtures (D) and tighten with set screws (B).
3. Proceed with standard fixture installation instructions.