

HUGO SUSPENSION / HUGO VERTICAL

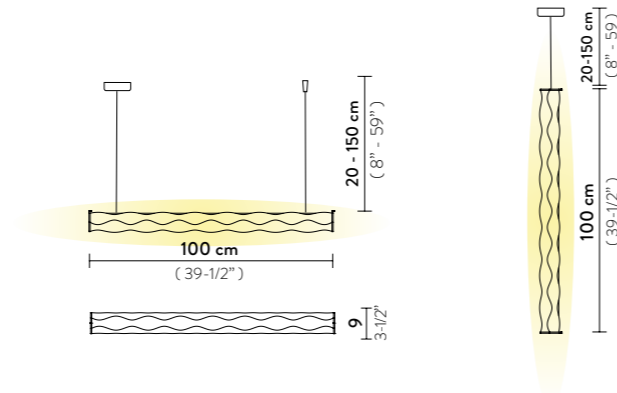
Light Source: 25W - 100~240 Vac/24 Vdc - 3.500 Lumen - 3.000 Kelvin - CRI >90, Integrated LED



Dimmable: PWM, 0-10

Materials: Lentiflex®

Weight: net 1,35 Kg - gross 2,2 Kg

Packaging: 114 x 16 x h. 16 cm



FINISH	PRODUCT CODE	EAN CODE	CANOPY DETAILS
 PRISMA	HUGS000PRS01THR000EU	8024727077543	 Ø 14 x h. 4,5 cm
	HUGS000PRS01TVT000EU VERTICAL	8024727085005	
	ACCESSORIES		
	6M CABLE KIT (must be ordered with lamp)		
	6M CABLE KIT (must be ordered with lamp) VERTICAL		
	DALI ACC00DALOUNI000B0		
TRIAC ACC00TRI0220000E0			
CASAMBI ACC00CAI0220000A0			

HUGO FLOOR

Light Source: 40W - 100~240 Vac/24 Vdc - 7.000 Lumen - 3.000 Kelvin - CRI >90, Integrated LED

Dimmable: with integrated dimmer

Materials: Lentiflex®

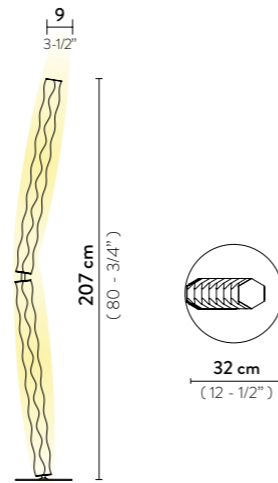
With: Soft touch dimming system



Weight: net 6,2 Kg - gross 8,5 Kg

Packaging: 114 x 16 x h. 16 cm

114 x 16 x h. 16 cm

47 x 47 x h. 7 cm



FINISH	PRODUCT CODE	EAN CODE	DETAILS
 PRISMA	HUGFM00PRS00000000EU	8024727084992	Soft Touch dimming 

HUGO ARCHITECTURAL 2

Light Source: 40W - 100~240 Vac/24 Vdc - 7.000 Lumen - 3.000 Kelvin - CRI >90, Integrated LED

Dimmable: PWM, 0-10

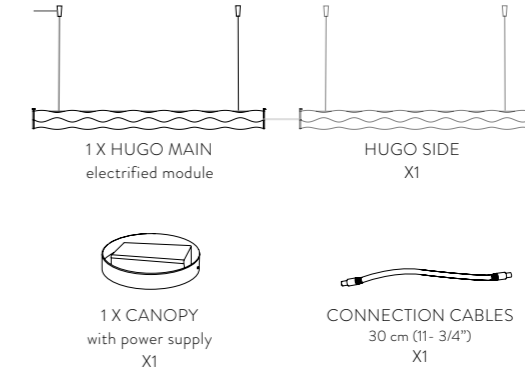
Materials: Lentiflex®

Weight: net 3,5 Kg - gross 5 Kg

Packaging: 114 x 16 x h. 16 cm

114 x 16 x h. 16 cm

43 x 26 x h. 7 cm



HUGO ARCHITECTURAL 3

Light Source: 60W - 100~240 Vac/24 Vdc - 10.500 Lumen - 3.000 Kelvin - CRI >90, Integrated LED

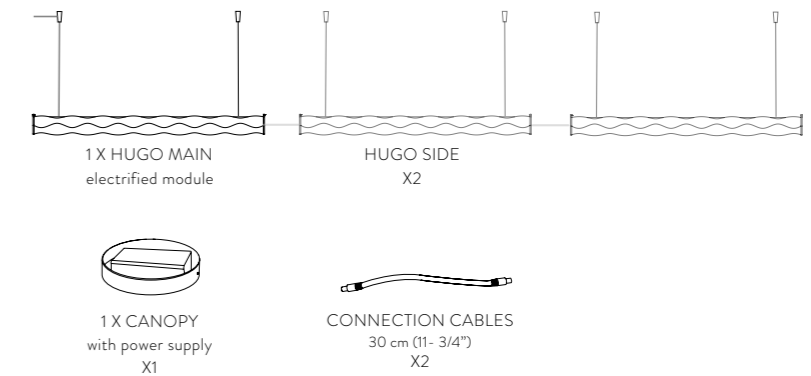
Dimmable: PWM, 0-10


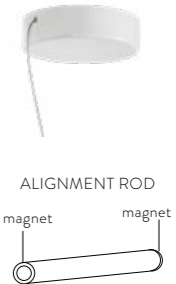
Materials: Lentiflex®

Weight: net 4,85 Kg - gross 7 Kg

Packaging: 114 x 16 x h. 16 cm

114 x 16 x h. 16 cm



FINISH	PRODUCT CODE	EAN CODE	DETAILS
 PRISMA	2 HUGSSS2PRS01TAR000EU	8024727077666	 Ø 19 x h. 5 cm ALIGNMENT ROD magnet magnet
	3 HUGSSS3PRS01TAR000EU	8024727077673	
	ACCESSORIES		
	6M CABLE KIT (must be ordered with lamp)		
	MAGNETIC ALIGNMENT ROD (14,5 cm x 1,5 cm)		
	DALI ACC00DALOUNI000B0		
TRIAC ACC00TRI0220000E0			
CASAMBI ACC00CAI0220000A0			

HUGO SUSPENSION / HUGO VERTICAL

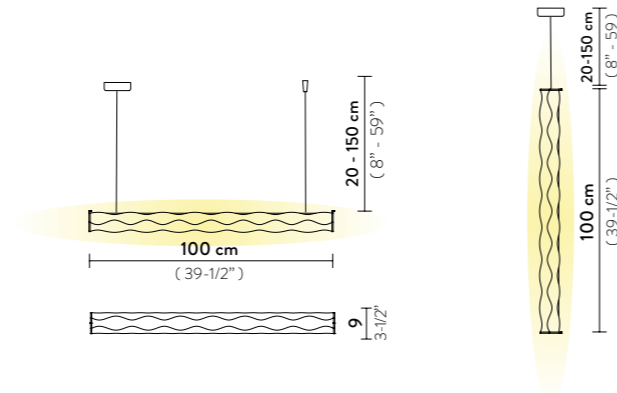
Light Source: 25W - 100~240 Vac/24 Vdc - 3.500 Lumen - 3.000 Kelvin - CRI >90, Integrated LED



Dimmable: PWM, 0-10

Materials: Lentiflex®

Weight: net 2,98 lbs - gross 4,85 lbs

Packaging: 44,88 x 6,3 x h. 6,3 in



FINISH	PRODUCT CODE	EAN CODE	CANOPY DETAILS
 PRISMA	HUGS000PRS01THR000US	8024727078991	 Ø 5,51 x h. 1,77 in
	HUGS000PRS01TVT000US VERTICAL	8024727085821	
	ACCESSORIES		
	6M CABLE KIT		
	6M CABLE KIT VERTICAL		
	DALI ACC00DALOUNI000B0		
	TRIAC ACC00TRI0110000H0		
CASAMBI ACC00CAI0220000A0			

HUGO FLOOR

Light Source: 40W - 100~240 Vac/24 Vdc - 7.000 Lumen - 3.000 Kelvin - CRI >90, Integrated LED

Dimmable: with integrated dimmer

Materials: Lentiflex®

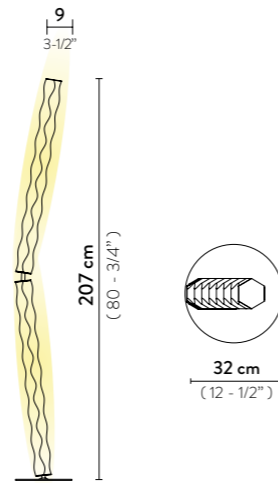
With: Soft touch dimming system



Weight: net 13,67 lbs - gross 18,74 lbs

Packaging: 44,88 x 6,3 x h. 6,3 in

44,88 x 6,3 x h. 6,3 in

18,5 x 18,5 x h. 2,76 in



FINISH	PRODUCT CODE	EAN CODE	DETAILS
 PRISMA	HUGFM00PRS00000000US	8024727085876	Soft Touch dimming 

HUGO ARCHITECTURAL 2

Light Source: 40W - 100~240 Vac/24 Vdc - 7.000 Lumen - 3.000 Kelvin - CRI >90, Integrated LED

Dimmable: PWM, 0-10

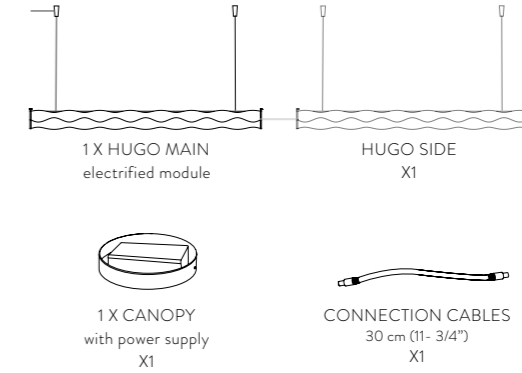
Materials: Lentiflex®

Weight: net 7,72 lbs - gross 11,02 lbs

Packaging: 44,88 x 6,3 x h. 6,3 in

44,88 x 6,3 x h. 6,3 in

16,93 x 10,24 x h. 2,76 in



HUGO ARCHITECTURAL 3

Light Source: 60W - 100~240 Vac/24 Vdc - 10.500 Lumen - 3.000 Kelvin - CRI >90, Integrated LED

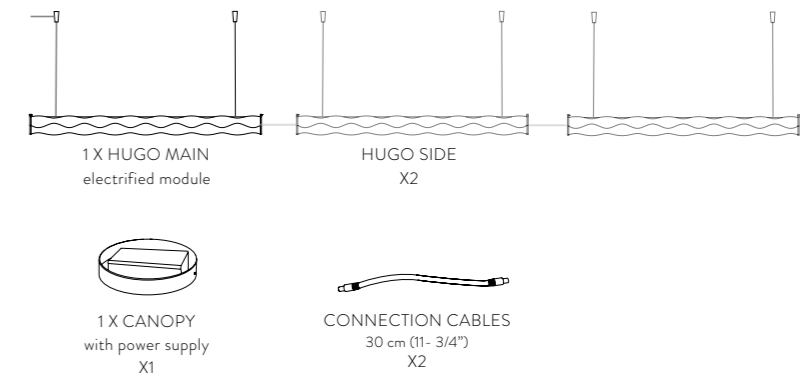
Dimmable: PWM, 0-10


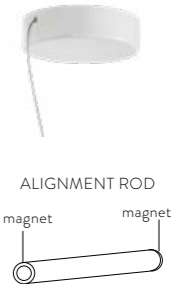
Materials: Lentiflex®

Weight: net 10,7 lbs - gross 15,43 lbs

Packaging: 44,88 x 6,3 x h. 6,3 in

44,88 x 6,3 x h. 6,3 in



FINISH	PRODUCT CODE	EAN CODE	DETAILS
 PRISMA	2 HUGSSS2PRS01TAR000US		 Ø 7,48 x h. 1,97 in ALIGNMENT ROD magnet magnet
	3 HUGSSS3PRS01TAR000US		
	ACCESSORIES		
	6M CABLE KIT		
	MAGNETIC ALIGNMENT ROD (14,5 cm x 1,5 cm)		
	DALI ACC00DALOUNI000B0		
	TRIAC ACC00TRI0110000H0		
CASAMBI ACC00CAI0220000A0			