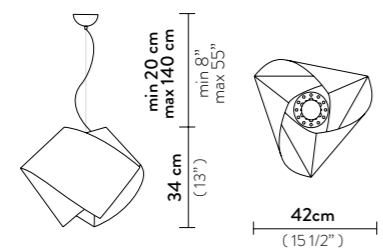
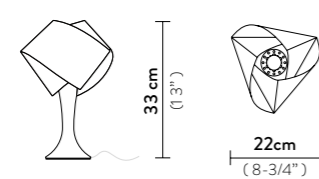
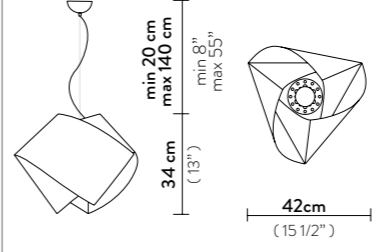
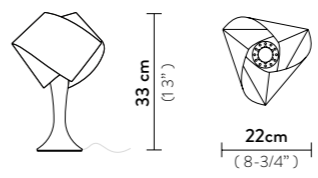
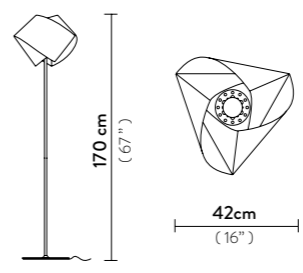
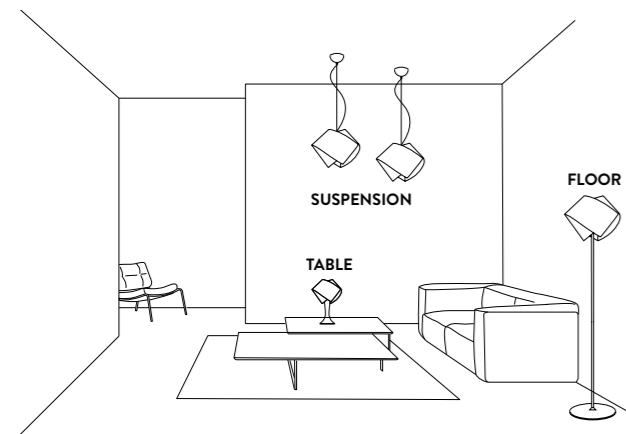


PRODUCT / PRODOTTO	DIMENSIONS / MISURE	COLOUR / COLORE	CODE / CODICE
<b>SUSPENSION</b> Bulbs E27: 1 X 12W LED Filament Dimmable with: Dimmable bulbs Made of: Opalflex® Weight: net Kg 1,10 - gross Kg 2 Package: 41 x 41 x h. 41cm		ARLECCHINO	GEM04SOS0000MA
		MULTICOLOR	GEM04SOS0000MI
		GOLD	GEM04SOS0000O
		ORANGE	GEM04SOS0000AI
		YELLOW	GEM04SOS0000GI
		GREEN	GEM04SOS0000VI
		BLUE	GEM04SOS0000BI
DAFNE	GEM03SOS0000_DAF		
<b>TABLE LAMP S</b> Bulbs E14: 1 X 6W LED Filament Made of: Opalflex® With: White steel base Weight: net Kg 0,50 - gross Kg 0,70 Package: 25 x 23,5 x h. 35 cm		ARLECCHINO	GEM04TAV0001MA
		MULTICOLOR	GEM04TAV0001MI
		ORANGE	GEM04TAV0001AI
		YELLOW	GEM04TAV0001GI
		GREEN	GEM04TAV0001VI
		BLUE	GEM04TAV0001BI

PRODUCT / PRODOTTO	DIMENSIONS / MISURE	COLOUR / COLORE	CODE / CODICE
<b>SUSPENSION</b> Bulbs E27: 1 X 12W LED Filament Dimmable with: Dimmable bulbs Made of: Opalflex® Weight: net Kg 1,10 - gross Kg 2 Package: 41 x 41 x h. 41cm		PRISMA	GEM04SOS0000LE
		AMBER	GEM04SOS0000LCO
		AMETHYST	GEM04SOS0000LCP
		EMERALD	GEM04SOS0000LCB
		GOLD	GEM04SOS0000LCY
<b>TABLE LAMP S</b> Bulbs E14: 1 X 6W LED Filament Made of: Opalflex® With: White steel base Weight: net Kg 0,50 - gross Kg 0,70 Package: 25 x 23,5 x h. 35 cm		PRISMA	GEM04TAV0001LE
		AMBER	GEM04TAV0001LCO
		AMETHYST	GEM04TAV0001LCP
		EMERALD	GEM04TAV0001LCB
		GOLD	GEM04TAV0001LCY
<b>FLOOR LAMP</b> Bulbs E27: 1 X 12W led Filament Made of: Lentiflex® With: White steel base and stem Weight: net Kg 5,04 - gross Kg 7,23 Package: A: 9 x 9 x h. 167 cm - Kg 3,7 B: 39 x 36 x h. 10 cm - Kg 1,53 C: 41 x 41 x h. 41 cm - Kg 2		PRISMA	GEM04PST0000LE
		AMBER	GEM04PST0000LCO
		AMETHYST	GEM04PST0000LCP
		EMERALD	GEM04PST0000LCB
		GOLD	GEM04PST0000LCY

## GEMMY ENTIRE COLLECTION



## CANOPY DETAILS



**GEMMY SUSPENSION**  
 Ø10 cm x h. 5,5 cm (Ø 4" x h. 2")  
 6m. cable kit must be ordered with lamp purchase  
*Kit Cavi da 6m da richiedere tassativamente in fase di ordine*  
 Kit di installazione multipla su richiesta  
*Multiple installation kit on request*

## CERTIFICATION

CE IP 20

ENERGY CLASS: A / A+ / A++

ENERGY LABEL AVAILABLE ON SLAMP'S WEBSITE

## FINISHES

