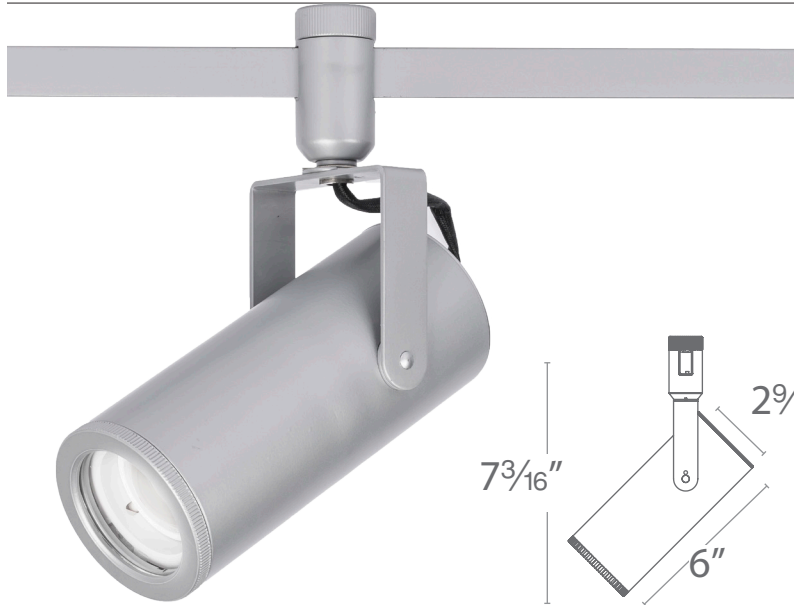


SILO X20 – model: 2020

Flexrail1™ Luminaire

WAC LIGHTING

Responsible Lighting®

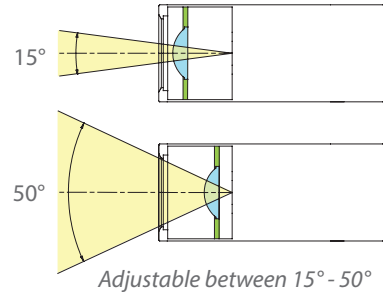


Fixture Type:

Catalog Number:

Project:

Location:



PRODUCT DESCRIPTION

Silo 2020 offers superior light output in a small, unobstructive design with wide range of dynamic beam adjustment. Engineered style single source LED, optical and thermal management in a slender die-cast housing. Ideal for residential, retail, and lower mounting height commercial application.


FEATURES

- Continuously adjustable beam angles from 15° to 50°
- Die-cast aluminum construction with rotatable front face
- Integral LED and driver
- Outperforms halogen 75W MR16
- Accommodates one lens and one glare control accessory
- 50,000 hour rated life
- 5 year WAC Lighting product warranty

SPECIFICATIONS

- Construction:** Die-cast aluminum with removable front cap for easy change of lenses or accessories
- Input:** 120VAC 50/60Hz
- Power:** 20W
- Light Source:** High output COB LED
- Dimming:** 100%-5% electronic low voltage (ELV) dimmer
- Standards:** UL & cUL Listed
- Finish:** Powder coated

ORDER NUMBER

| Track | Model | CRI | Color Temp | Beam | Lumens | CBCP | Finish | | | | |
|-------|------------|------|------------|------|--------|------|--------|------|--|----|--|
| HM1 | Flexrail1™ | 2020 | 90 | 927 | 2700K | 15° | 715 | 6230 | | | |
| | | | | | 50° | 985 | 1180 | | | | |
| | | | | 930 | 3000K | 15° | 785 | 6840 | | | |
| | | | | | 50° | 1080 | 1295 | | | | |
| | | | | 935 | 3500K | 15° | 810 | 7060 | | | |
| | | | | | 50° | 1115 | 1335 | | | | |
| | | | | 940 | 4000K | 15° | 840 | 7310 | | | |
| | | | | | 50° | 1155 | 1385 | | | | |
| | | | | | | | | | | PT | Platinum  |

HM1-2020-930-PT

Accommodates one lens accessory and one glare control accessory, or one framing projector

FLAT LENS

| | |
|-------|--------------------|
| Amber | LENS-16-AMB |
| Blue | LENS-16-BLU |
| Green | LENS-16-GRN |
| Red | LENS-16-RED |

FLAT LENS

| | |
|-----------------|--------------------|
| UV Filter | LENS-16-UVF |
| Frosted | LENS-16-FR |
| Spread | LENS-16-SPR |
| Beam Elongating | LENS-16-BEL |

GLARE CONTROL

| | |
|-------------------------|-------------------------|
| Cross louver - platinum | LENS-16P-CRL-PT |
| Snoot - platinum | LENS-16-SNOOT-PT |
| Honeycomb Louver | LENS-16-HCL |

FRAMING PROJECTOR

| | |
|-------------------|----------------|
| Framing Projector | FP-K-BK |
| Accessories | |

WAC Lighting

www.waclighting.com
Phone (800) 526.2588 • Fax (800) 526.2585

Headquarters/Eastern Distribution Center

44 Harbor Park Drive • Port Washington, NY 11050
Phone (516) 515.5000 • Fax (516) 515.5050

Western Distribution Center

1750 Archibald Avenue • Ontario, CA 91760
Phone (800) 526.2588 • Fax (800) 526.2585