

INSTALLATION INSTRUCTIONS

399- LED Vanities

WS-39920/WS-39927/WS-39938

MODERN FORMS

CAUTION: To prevent electrical shock, ensure electricity has been turned off at the circuit breaker before beginning.

- Read all instructions before installing.
- System is intended for installation by a licensed electrician in accordance with the National Electrical Code (NEC) and local regulations.
- When handling the fixture, do not apply pressure to the LEDs. Hold the fixture by the base only.
- Retain installation instructions for future maintenance reference.

WARNING: All parts must be used as indicated in these instructions. This product is designed for use only with the supplied parts and/or accessories designated for use by dweLED. Substitution of parts or accessories not designated for use with this product by dweLED could result in personal injury or property damage, and will void the warranty. Contact an authorized dealer or the manufacturer if any parts are damaged or missing.

MAINTENANCE NOTE: Coastal conditions may cause mineral and residue build-up on the fixture. We recommend that customers in coastal areas clean all external surfaces of the fixture once every two weeks with a wet cloth.

MISE EN GARDE: Pour éviter tout choc électrique, assurez-vous que le disjoncteur soit mis hors tension avant de commencer.

- Lisez toutes les instructions avant l'installation.
- Le système doit être installé par un électricien licencié conformément au code national de l'électricité (NEC), et également aux règlements locaux.
- Lors de la manipulation du luminaire, n'appuyez pas sur les LED. Tenez-le uniquement par la base.

ATTENTION: Toutes les pièces doivent être utilisées comme indiqué dans ces instructions. Ce produit est conçu pour être utilisé seulement avec les pièces et/ou accessoires fournis pour être utilisés avec les produits dweLED. Remplacer des pièces ou accessoires non conçus pour ce produit dweLED pourrait causer des dommages corporels ou matériels et pourrait également causer l'annulation de la garantie. Veuillez contacter un revendeur autorisé ou le fabricant si des pièces manquent ou sont endommagées.

NOTE D'ENTRETIEN: Les conditions côtières peut causer une accumulation de minéraux et de résidus sur le luminaire. Nous recommandons aux clients qui résident dans les zones côtières de nettoyer toutes les surfaces externes du luminaire une fois toutes les deux semaines avec un chiffon humide.

HARDWARE

A



Wire Connector
Qty: 3PCS+1 Extra

B



Wire Connector
Qty: 1 Extra

C



Mounting Screw
Qty: 1 Extra

D



Thumb Screw
Qty: 1 Extra

E



Plastic Anchor
Qty: 2PCS+1 Extra

F



Wood Screw
Qty: 2PCS+1 Extra

modernforms.com
Phone (800) 526.2588
Fax (800) 526.2585

Headquarters/Eastern Distribution Center
44 Harbor Park Drive
Port Washington, NY 11050

Central Distribution Center
1600 Distribution Ct
Lithia Springs, GA 30122

Western Distribution Center
1750 Archibald Avenue
Ontario, CA 91760



INSTALLATION INSTRUCTIONS

399- LED Vanities

WS-39920/WS-39927/WS-39938

MODERN FORMS

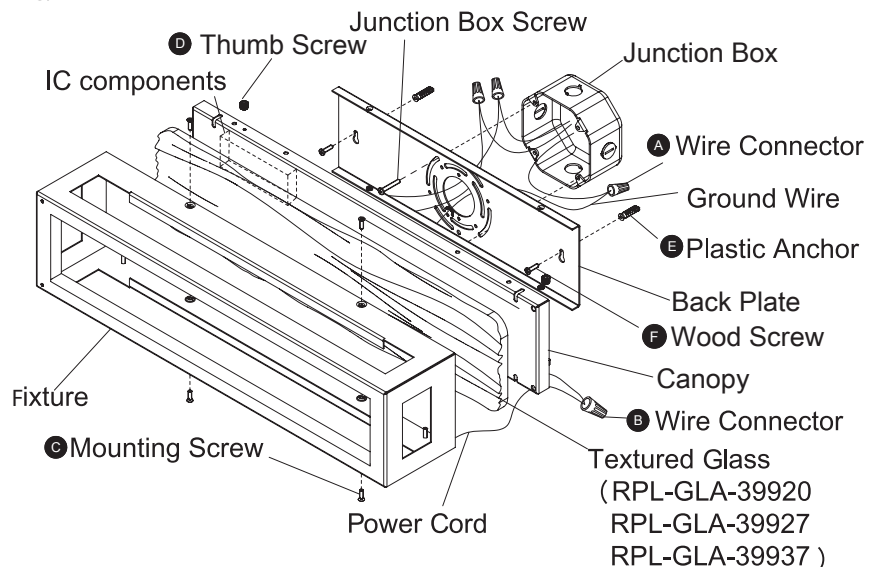
PREPARATION

1. Shut off the power at the circuit breaker and remove existing fixture, including the crossbar.
2. Carefully unpack your new fixture and lay out all the parts on a clear area. Be careful not to lose any small parts necessary for installation.

MOUNTING THE FIXTURE (Fig. 1)

3. Remove the mounting screws (C) and thumb screws (D) from the fixture. Loosen the wire connector (B) on the IC components output line, and remove the canopy and back plate.
4. Carefully put the textured glass into the fixture frame.
NOTE: The textured side must face out.
5. Place the canopy on the fixture, put the red and black power cord of the module through the hole in the corner of the canopy and secure the canopy on the fixture with thumb screws (D)
6. Connect the red and black line of IC components with the red and black line of module with the wire connector (B).
7. Drill holes in the wall aligned with the key holes located in the back plate, insert the plastic anchor (E).
8. Secure the back plate to the junction box using the screws provided with the junction box. Fasten it to the wall using wood screws (F).
NOTE: The sides of the mounting plate marked "GND" must be facing outward.

FIG. 1



CONNECTING THE WIRES (Fig. 2)

9. Connect the IC components' input wires with junction box wires as shown (Fig. 2). Make sure that all wire connectors (A) (B) are secure. If your outlet box has a green or bare copper ground wire, connect the Axture's ground wire to it. Otherwise, connect the Axture's ground wire directly to the mounting plate using the green screw provided. After wires are connected, tuck them carefully inside the junction box.
10. Place the fixture over the back plate and secure it with mounting screws (C)

FIG. 2 Wiring

	Fixture Wires Black or Smooth	House Wires Black (Hot)
	Fixture Wires White or Ribbed	House Wires White (Neutral)
	Fixture Wires Bare wire (Ground)	House Wires Green or Bare Copper (Ground)

Back Plate Dimensions

