



Cutting out all superfluous details, the LISA perfectly depicts the flow of light, thru its highly functional, yet precisely sculptural form.

Available in ceiling, wall, and floor lamp configurations, all LISA models offer a high quality CRI95 light output, without undesirable glare. The Wall and Ceiling version are fully dimmable via Triac dimming, while the Floor version is controlled thru a touchless integrated optic sensor. Each LISA lighting beam is adjustable up to 240 degrees for the ceiling and floor model, and up to 300 degrees for the wall version. Whether it is the all shiny black version, or the shiny black with chrome accents, the LISA will serve as an elegant addition to any environment.

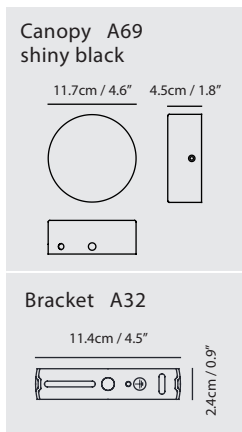
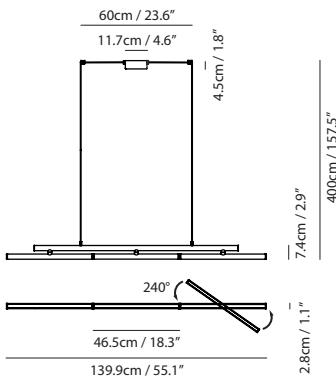
By Wang, Sheng-Wen 王聖文



shiny black



chrome + shiny black



LISA Pendant PL3

Model
SLD-465PL3

Material
steel, aluminum, PC diffuser

Light Source
LED 3 x 7W 2700K 706lm CRI98

Driver
Built-in dimmable driver
(triac dimming)

Weight
2.3kg / 5.1lb

Color

- shiny black
- chrome + shiny black

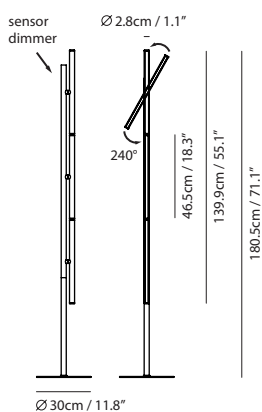




shiny black



chrome + shiny black



LISA Floor

Model
SLD-465F3E

Material
steel, aluminum, PC diffuser

Light Source
LED 3 x 7W 2700K 706lm CRI98

Feature
optic sensor dimmer

Weight
5.4kg / 11.9lb

Cord
200cm / 78.7"

Color

- shiny black
- chrome + shiny black





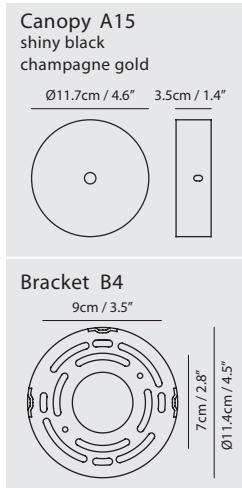
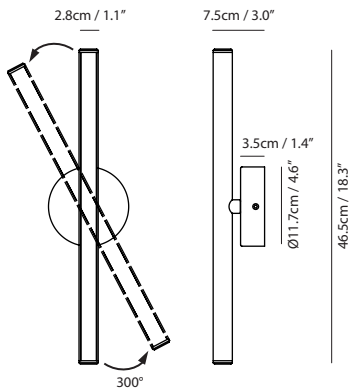
shiny black



chrome + shiny black



champagne gold



LISA Wall

Model
SLD-465W

Material
steel, aluminum, PC diffuser

Light Source
LED 1 x 5W 2700K 148.6lm CRI98

Driver
Built-in dimmable driver
(triac dimming)

Weight
0.6kg / 1.3lb

- Color**
- shiny black
 - chrome + shiny black
 - champagne gold

