

INSTALLATION INSTRUCTION

SCOOP 12V

WAC LIGHTING
Responsible Lighting®

6611

SAFETY INSTRUCTION

IMPORTANT: NEVER attempt any work without shutting off the electricity.

- Read all instructions before installing.
- System is intended for installation by a qualified electrician in accordance with the National Electrical Code and local regulations.
- Place the wall switch in the "OFF" position.
- Go to the main fuse box, or circuit breaker. Unscrew the fuse(s) or switch "OFF" the circuit breaker switch(es) that control the power to the space that you are working on.

WARNING: Risk of electric shock. Install all luminaires 10 feet (3.05 m) or more from a pool, spa, or fountain.

CAUTION:

All parts must be used as indicated in these instructions. Do not substitute any parts, leave parts out, or use any parts that are worn out or broken. Failure to follow this instruction could invalidate the ETL/cETL listing of this fixture.

AVERTISSEMENT

IMPORTANT : COUPEZ L'ÉLECTRICITÉ AVANT TOUTE MANIPULATION.

- Lisez toutes les instructions avant d'installer.
- Système est destiné à être installé par un électricien qualifié en conformité avec le code national de l'électricité et les règlements locaux.
- Placez l'interrupteur mural en position d'arrêt (« OFF »).
- Accédez au panneau central de disjoncteurs ou de fusibles de votre demeure et placez l'interrupteur principal en position d'arrêt (« OFF »).

MISE EN GARDE

Toutes les pièces doivent être utilisées tel qu'il est indiqué dans ces instructions. Ne remplacez pas les pièces, n'en laissez pas de côté et ne les utilisez pas si elles sont usées ou brisées. Le non-respect de ces instructions peut annuler l'homologation ETL/cETL du luminaire.

**Note: Transformer is required to power the fixture. (sold separately)*

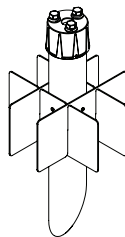
THIS INSTRUCTIONS APPLY TO THE MODELS BELOW:

**Note: Transformer is required to power the fixture. (sold separately)*



SCOOP
6611

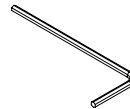
MOUNTING ACCESSORIES (INCLUDED IN BOX)



Mounting Stake
Qty: 1pc



Outdoor Rated Wire Nut
Qty: 2pcs



Hex Key
Qty: 1pc

waclighting.com
Phone (800) 526.2588
Fax (800) 526.2585

Headquarters/Eastern Distribution Center
44 Harbor Park Drive
Port Washington, NY 11050

Central Distribution Center
1600 Distribution Ct
Lithia Springs, GA 30122

Western Distribution Center
1750 Archibald Avenue
Ontario, CA 91760

INSTALLATION INSTRUCTION

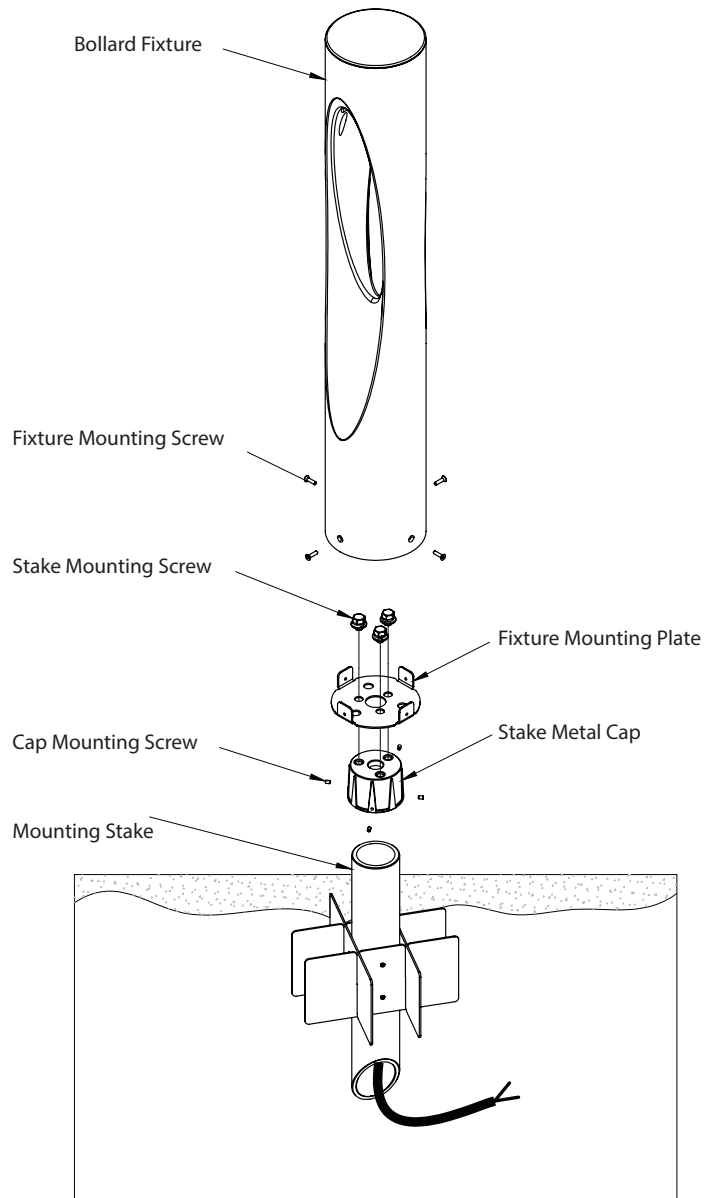
SCOOP 12V

6611

WAC LIGHTING
Responsible Lighting®

INSTALLATION

1. Make sure your main power is off.
2. Excavate a trench for the Mounting Stake.
The Mounting Stake requires approximately a one (1) square foot hole to facilitate installation.
The excavated should be approximately 14" deep, depending on your local code. This will allow the hex-head set screw on the Mounting Stake to remain above ground when the installation is completed.
3. Secure Fixture Mounting Plate onto the Stake Metal Cap by using the Stake Mounting Screws.
4. Secure the Stake Metal Cap assembly onto the Mounting Stake by tighten the Cap Mounting Screw
(Note: Make sure the Fixture Mounting Plate is Oriented at desired position.)
5. Secure the Bollard Fixture on top of the Fixture Mounting Plate using the Fixture Mounting Screws.
6. After proper wirings are done by using the outdoor rated wire nuts, back fill the hole and make sure the fixture is leveled and stable.
7. Turn the main power supply back on and make sure the fixtures light up.



waclighting.com
Phone (800) 526.2588
Fax (800) 526.2585

Headquarters/Eastern Distribution Center
44 Harbor Park Drive
Port Washington, NY 11050

Central Distribution Center
1600 Distribution Ct
Lithia Springs, GA 30122

Western Distribution Center
1750 Archibald Avenue
Ontario, CA 91760