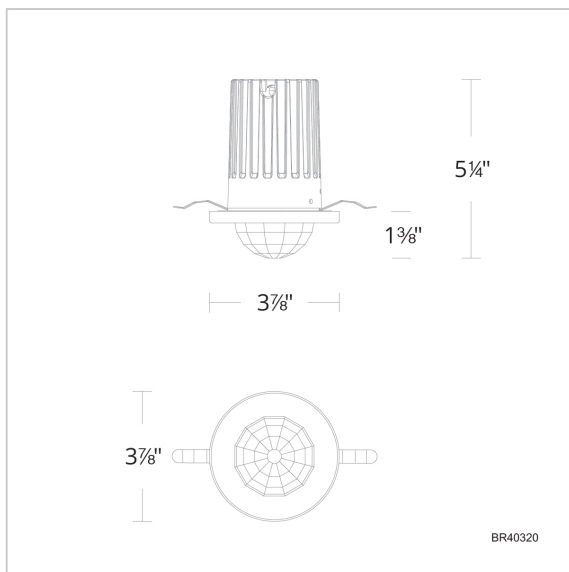


Vega
BR40320



LINE DRAWING



Project:

Location:

Fixture Type:

Catalog Number:

DESCRIPTION

A smoothly faceted Schonbek Radiance Crystal shade emanates sparkling symmetrical light, bringing charm and balance to every home's design.

FEATURES

- Sold as New Construction, may be reconfigured in the field for Remodel
- Driver included

CRYSTAL OPTIONS



Radiance
Crystal
(R)

FINISH OPTIONS



Polished
Chrome
(-CH)

SPECIFICATIONS!

| | |
|---------------------|--------------------|
| Light Source | LED |
| CRI | 90 |
| Dimming | ELV, Triac |
| Standards | ETL/cETL, Title 24 |

| Model | Crystal | Finish | Size | CCT | Voltage | Wattage | Weight | LED Lumens | Delivered Lumens |
|---------|---------|--------|------|-----------------------|-----------|---------|--------|------------|------------------|
| BR40320 | R | - CH | 4" | 3000K/3500K/ 4000K | 120V-240V | 12W | 2.9lbs | 597 | Up To 358 |

Example: BR40320N-CH

Vega

schonbek.com
Phone (800) 836.1892 | Fax: (518) 563.4228

Headquarters/Eastern Distribution Center
61 Industrial Blvd, Plattsburgh, NY 12901