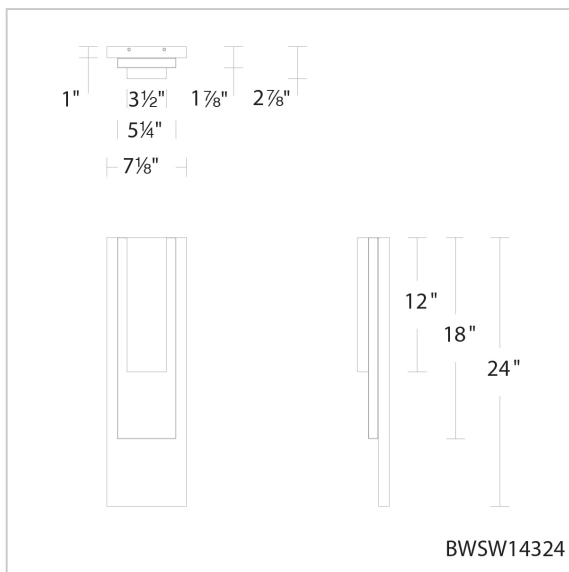


Vail

BWSW14324



LINE DRAWING



Project:

Location:

Fixture Type:

Catalog Number:

DESCRIPTION

Precisely cut Optic Haze crystal is accented by planes of opaque matte metal. LED illumination highlights the unique patterning found throughout the crystal.

FEATURES

- Optic Haze™, made of natural quartz, has unique variations in luster, hue, patterning and texture inherent to this material. When illuminated, the dimension of the crystal is beautifully accented.
- Specifically formulated using powder coat to resist UV and coastal environmental conditions, providing a long-lasting finish with premium 316 Marine mirror grade stainless steel plate and hardware
- Built in color temperature adjustability. Switch from 3000K/3500K/4000K. Switch may be installed in junction box.
- Ambient and down illumination
- Driver concealed within the canopy

CRYSTAL OPTIONS



Optic Haze
Crystal
(OH)

FINISH OPTIONS



Black
(-BK)

SPECIFICATIONS!

| | |
|--------------|------------|
| Light Source | LED |
| CRI | 90 |
| Dimming | ELV, Triac |
| Standards | ETL/cETL |

| Model | Crystal | Finish | Size | CCT | Voltage | Wattage | Weight | LED Lumens | Delivered Lumens |
|-----------|---------|--------|------|-----------------------|-----------|---------|---------|------------|------------------|
| BWSW14324 | OH | - BK | 24" | 3000K/3500K/ 4000K | 120V/277V | 14W | 13.8lbs | 1003 | Up To 297 |

Example: BWSW14324-BK

Vail