

SCHONBEK
*Signature*TM


STERLING
S6912- ___ _ _ H

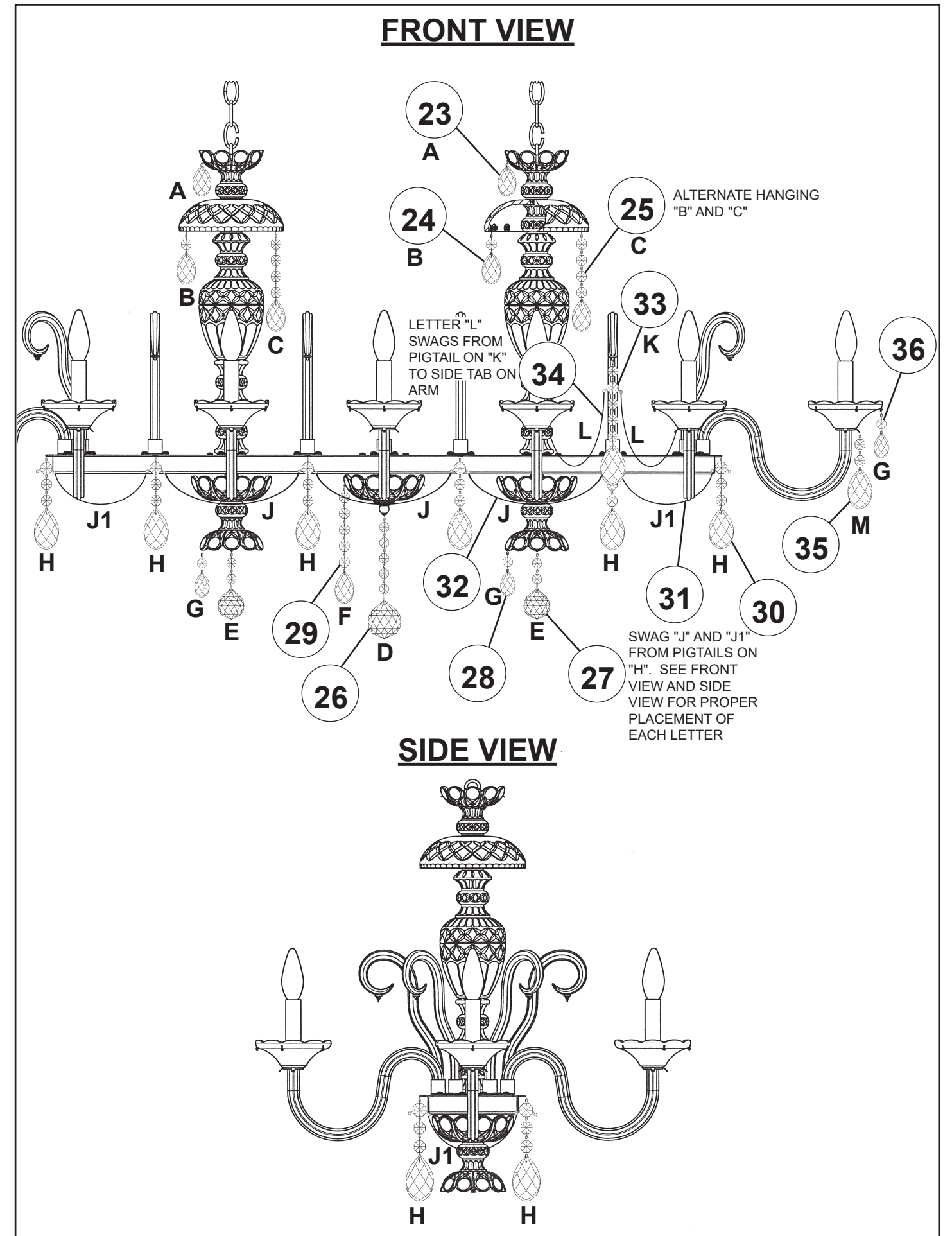
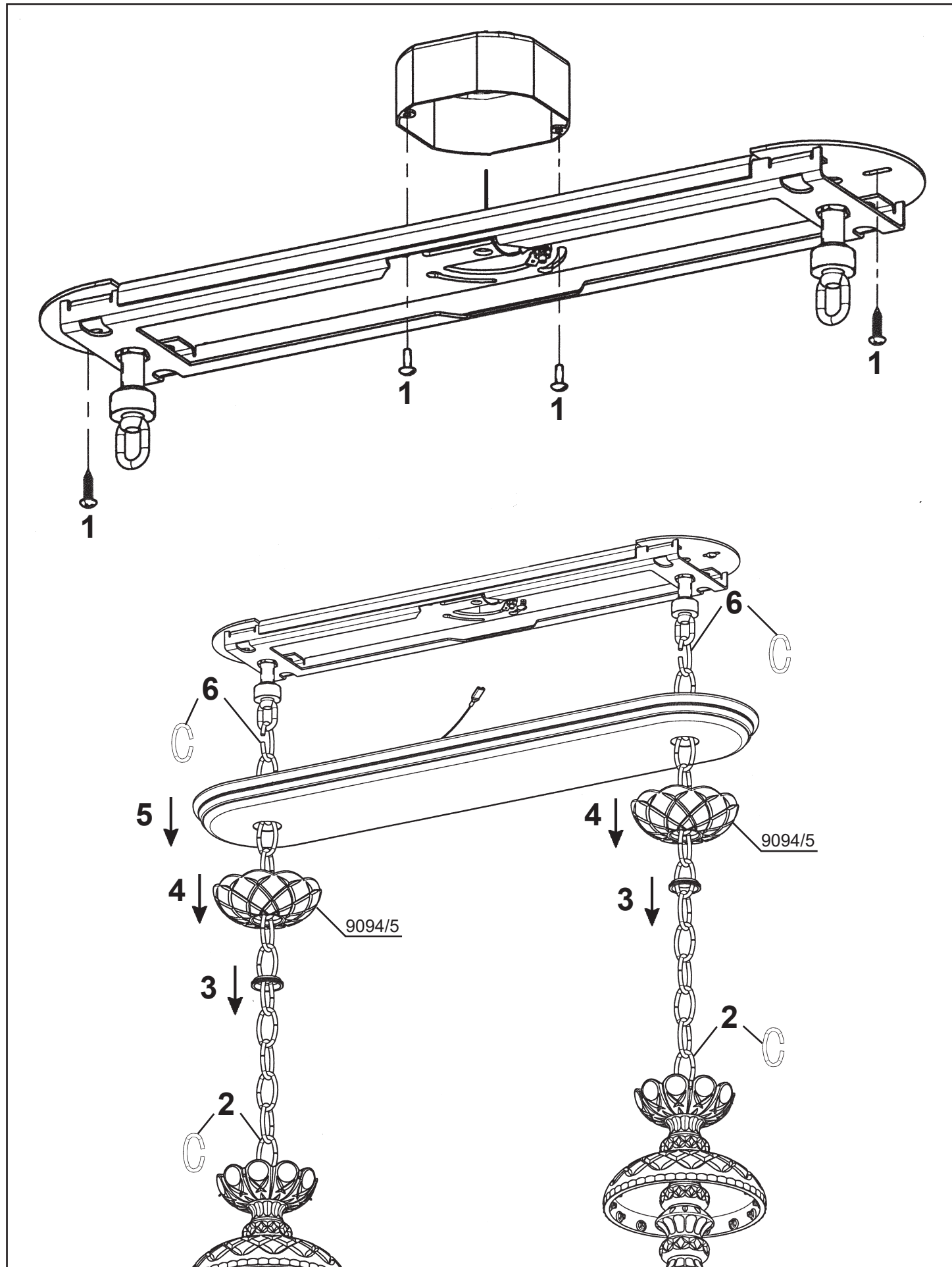


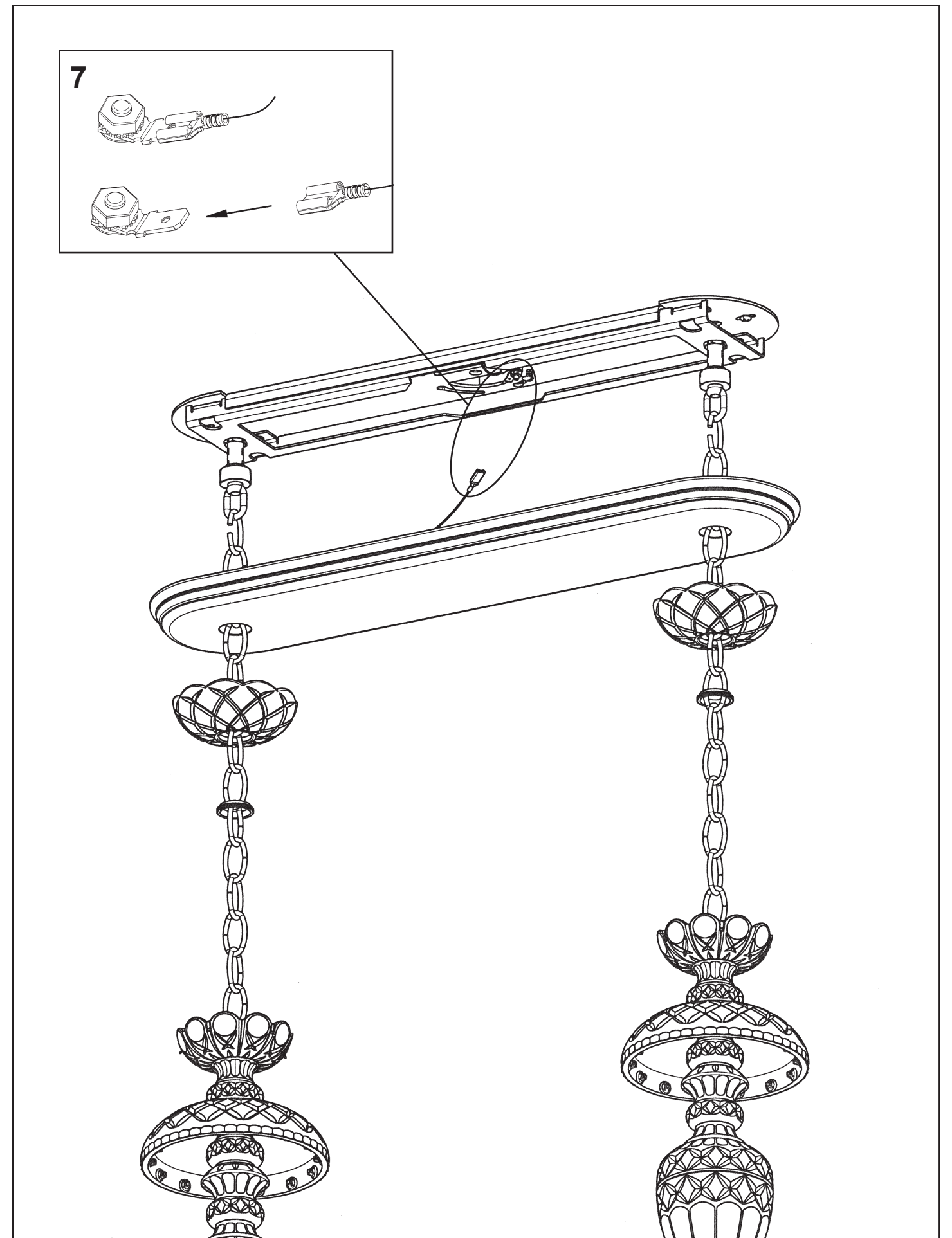
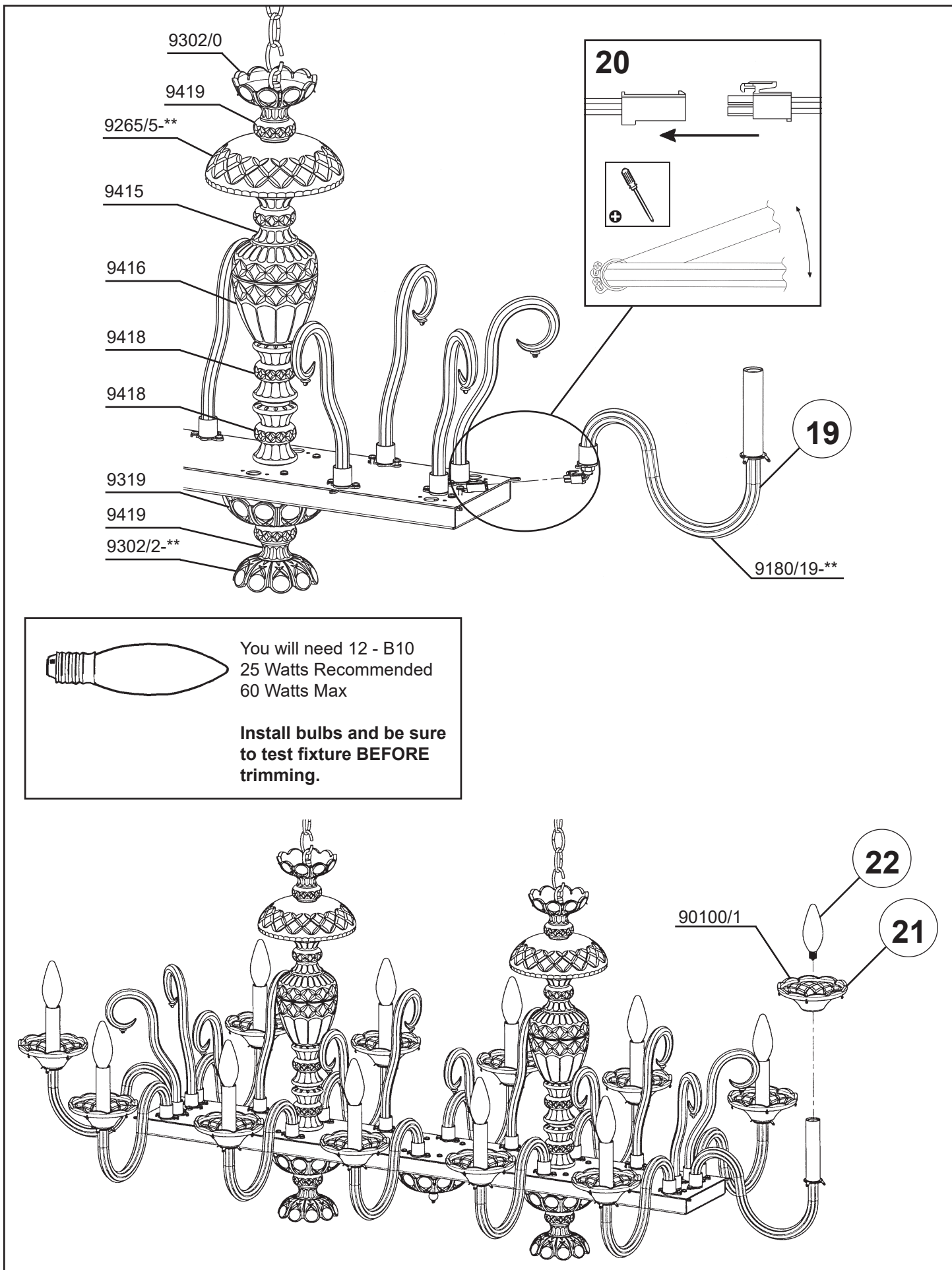
THIS DESIGN IS THE PROPRIETARY
TRADE DRESS/TRADEMARK OF
W SCHONBEK LLC.

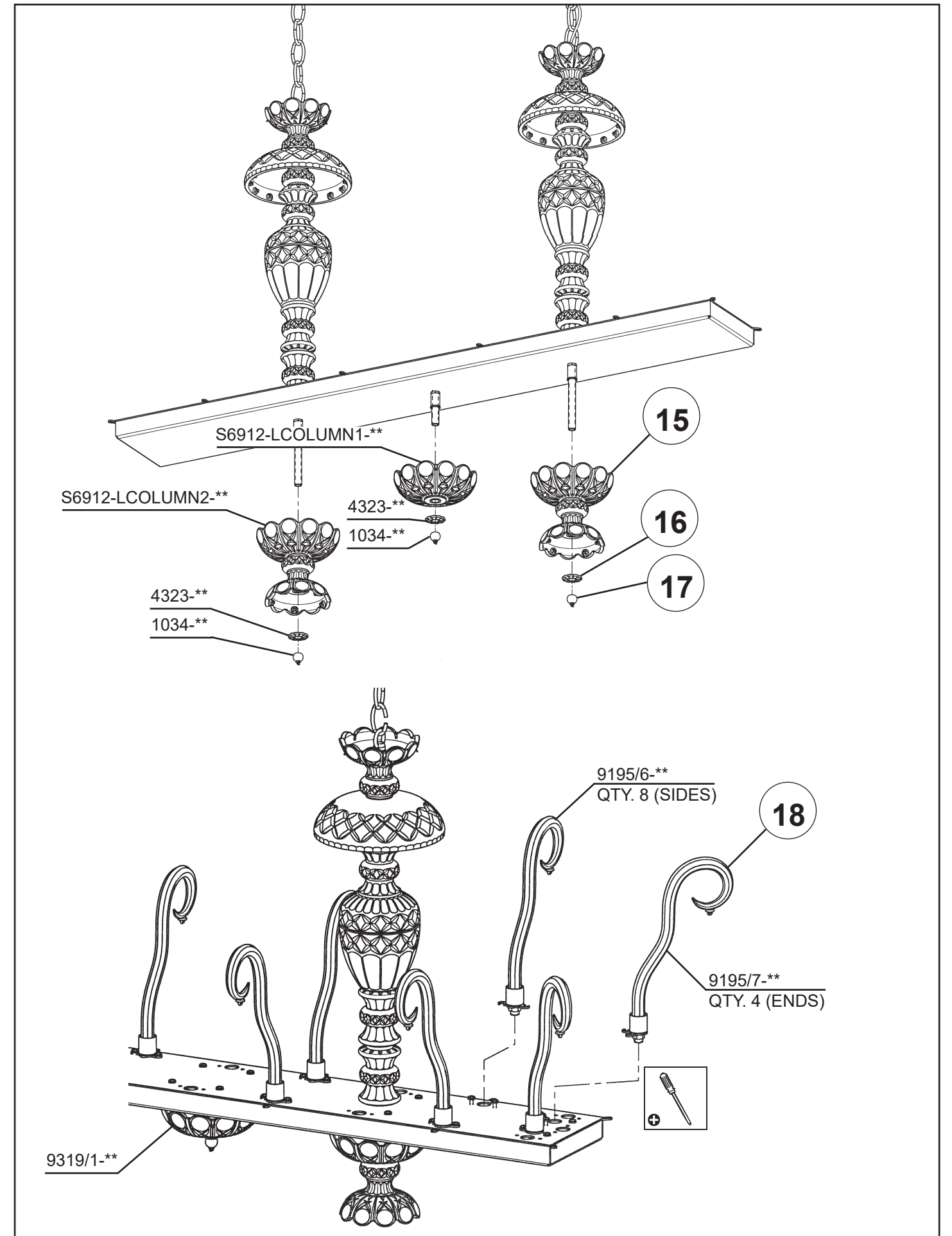
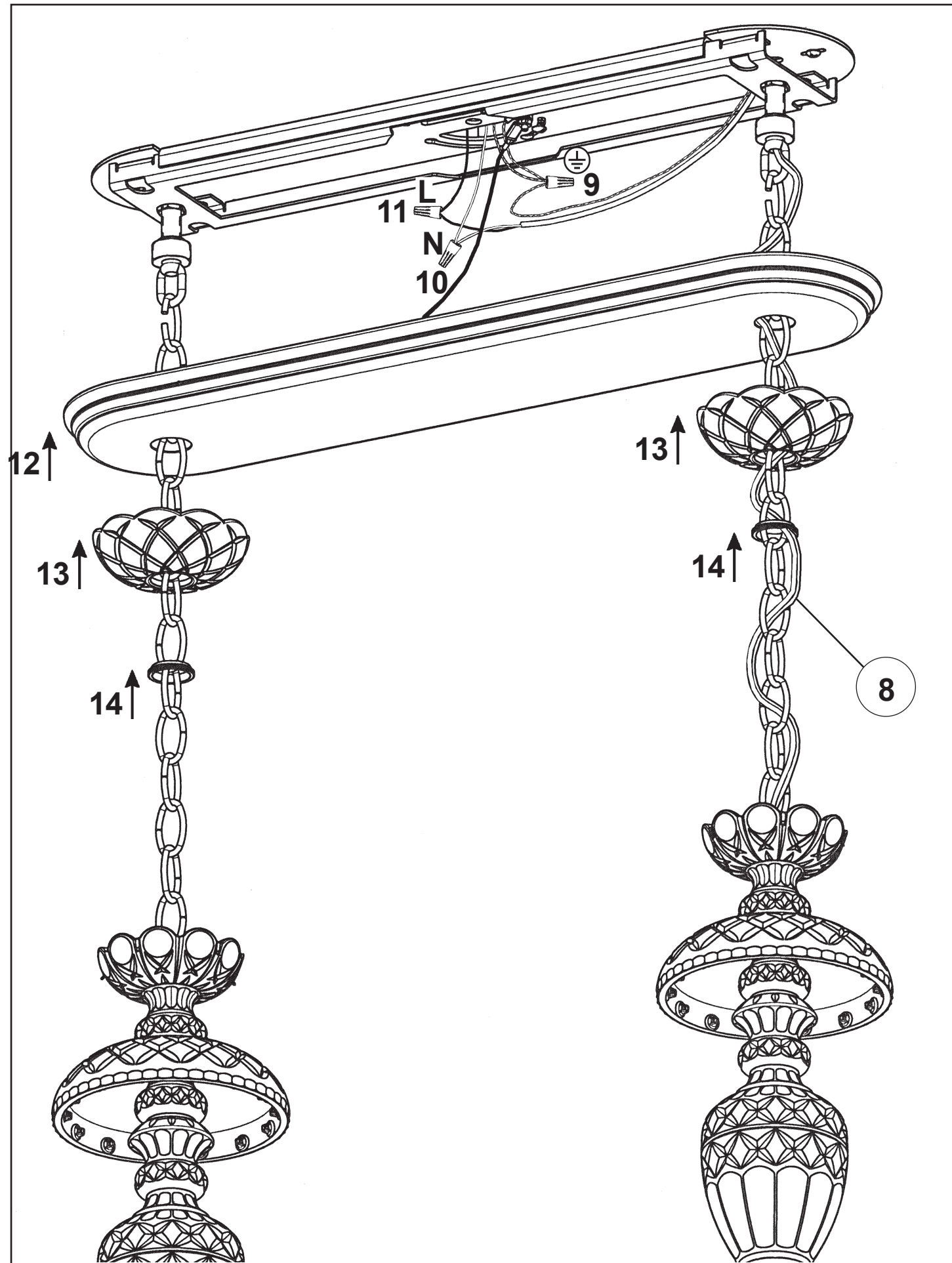
SCHONBEK
*Signature*TM



MAX 60 W 110-120 V 

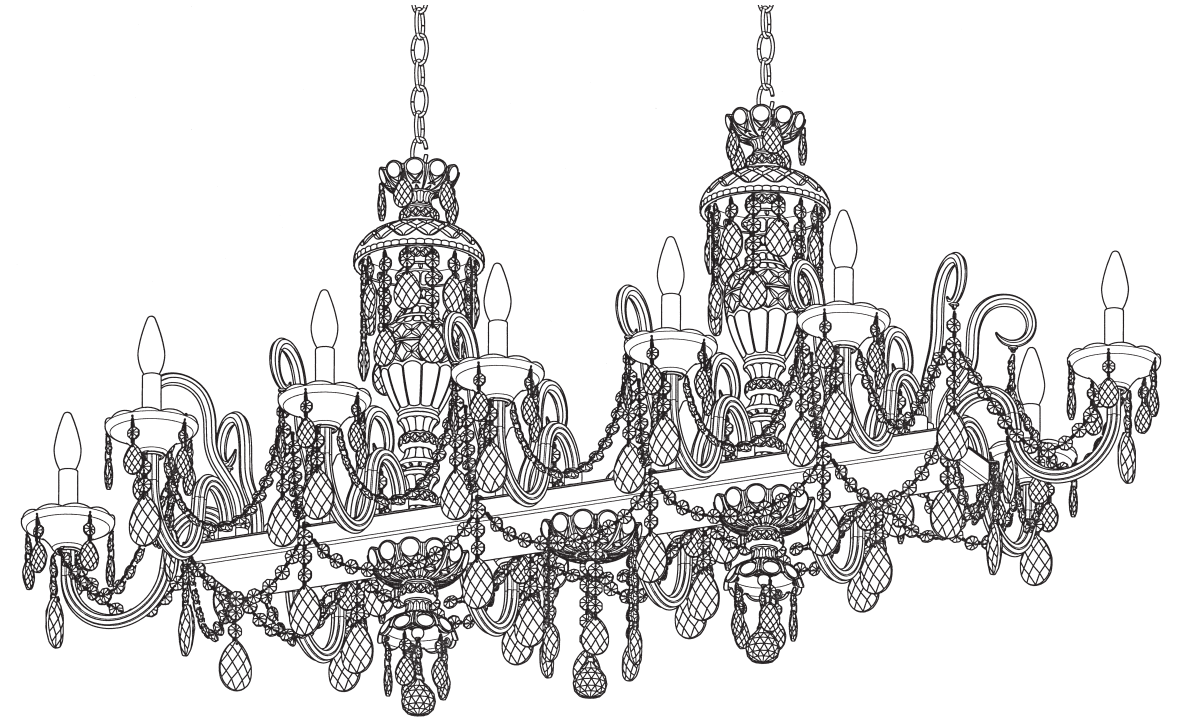






SCHONBEK
*Signature*TM

STERLING
S6912- ___ _ _ R



THIS DESIGN IS THE PROPRIETARY
TRADE DRESS/TRADemark OF
W SCHONBEK LLC.

SCHONBEK
*Signature*TM



MAX 60 W 110-120 V 