

FOREVER
SCHONBEK

SEDUCTION
SJ4333RE



THIS DESIGN IS THE PROPRIETARY
TRADE DRESS/TRADEMARK OF
W SCHONBEK LLC.

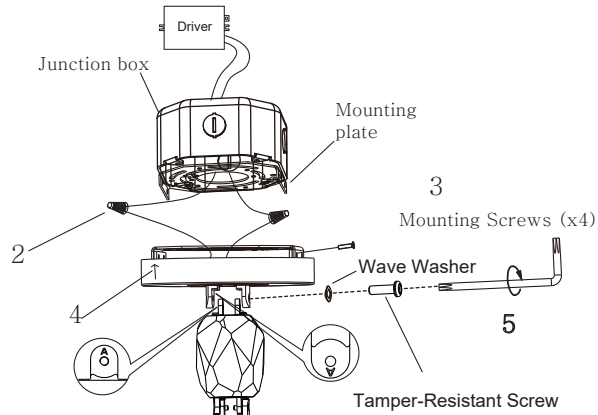
FOREVER
SCHONBEK



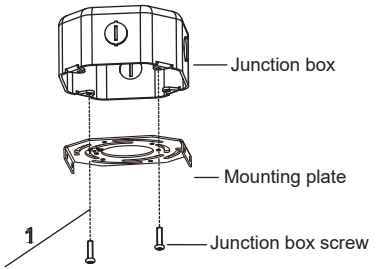
WWW.SCHONBEK.COM/INSTALLATIONMANUAL

All electrical components must be installed by a licensed electrician in accordance with the National Electric Code and the appropriate local electrical codes.

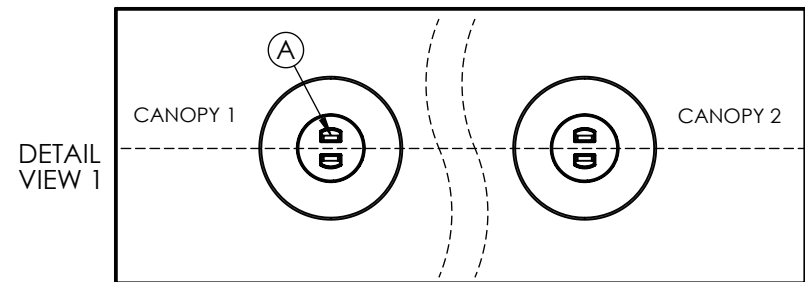
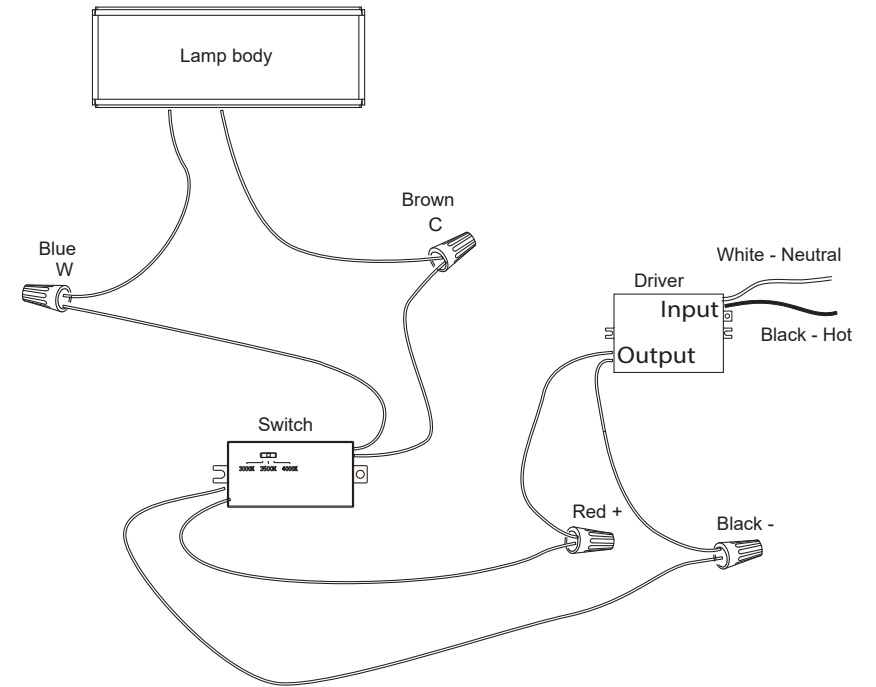
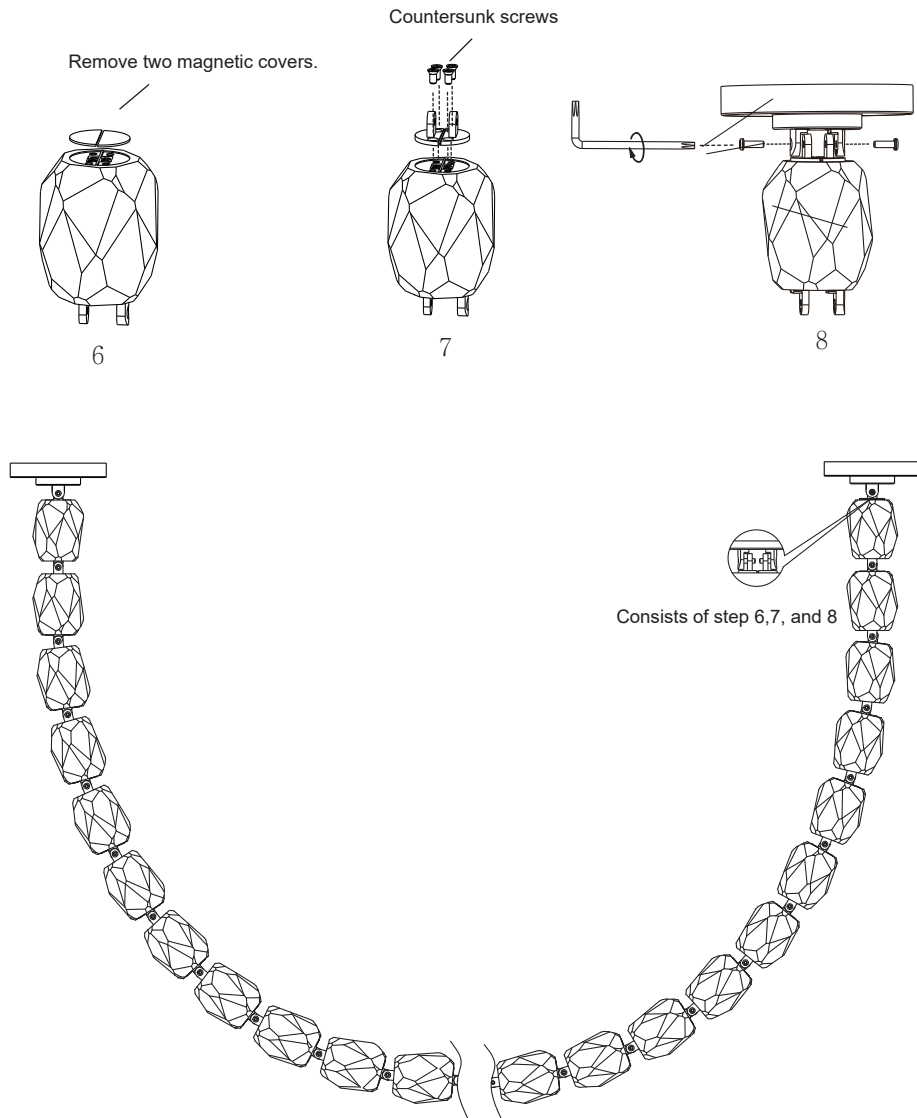
Fixture must be assembled per the provided instructions. Altering number of crystal modules may cause product failure and will void warranty.



NOTE: Align connection so that tabs marked with A contact each other.

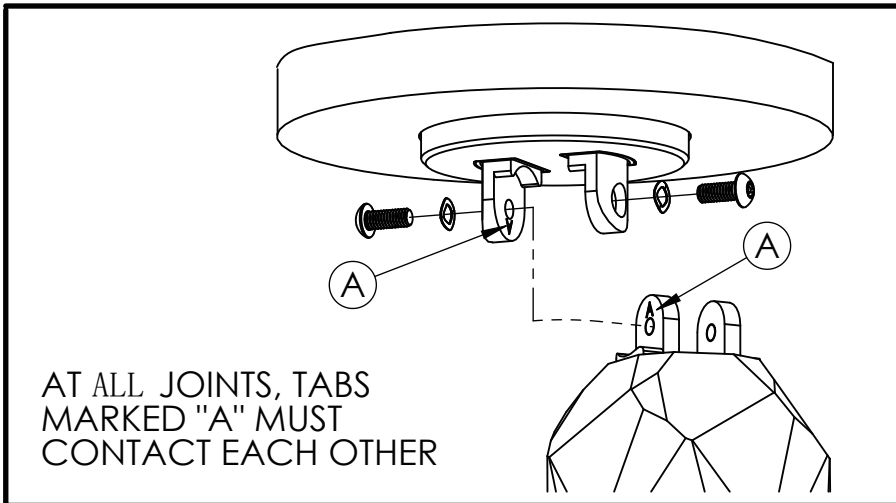


Optional Steps for Two-Canopy Structure

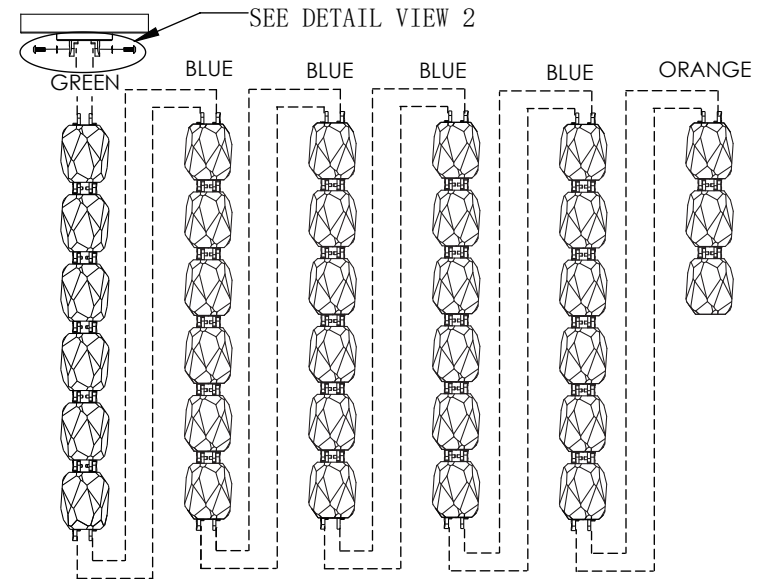


REPEAT STEPS 1-4 FOR BOTH CANOPIES. ORIENTATION MUST BE AS SHOWN IN DETAIL VIEW 1. THE TWO CANOPIES MUST BE MOUNTED IN LINE AS SHOWN.

DETAIL VIEW 2



AT ALL JOINTS, TABS
MARKED "A" MUST
CONTACT EACH OTHER



Each string of lights is identified by colored straps. Remove straps before installing. Connect sections as shown in the figure above. First, connect Green section to canopy, then attach Blue middle sections. At the end, attach Orange end section.

FULLY ASSEMBLE FIXTURE BEFORE TURNING ON POWER. TO ADJUST 3CCT SETTING, TURN OFF BEFORE ADJUSTING SWITCH.

NOTE: AT ALL JOINTS, TABS MARKED 'A'
MUST CONTACT EACH OTHER

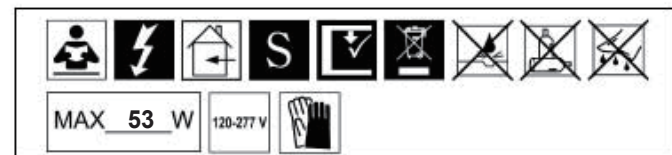
FOREVER
SCHONBEK

SEDUCTION
SJ4333IC



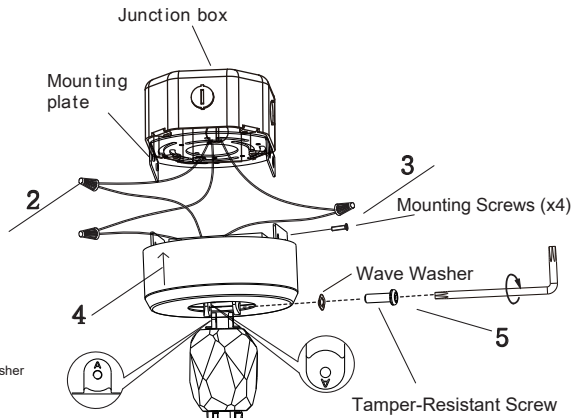
THIS DESIGN IS THE PROPRIETARY
TRADE DRESS/TRADEMARK OF
W SCHONBEK LLC.

FOREVER
SCHONBEK

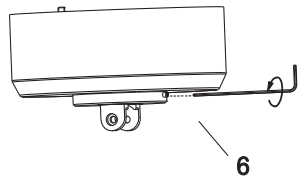
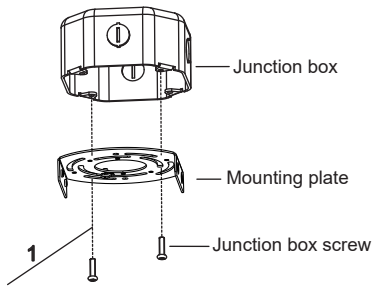


All electrical components must be installed by a licensed electrician in accordance with the National Electric Code and the appropriate local electrical codes.

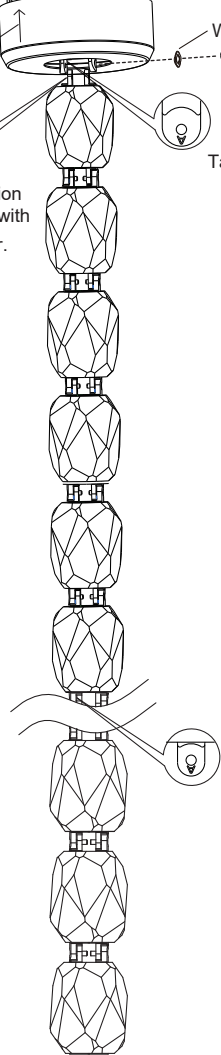
Fixture must be assembled per the provided instructions. Altering number of crystal modules may cause product failure and will void warranty.



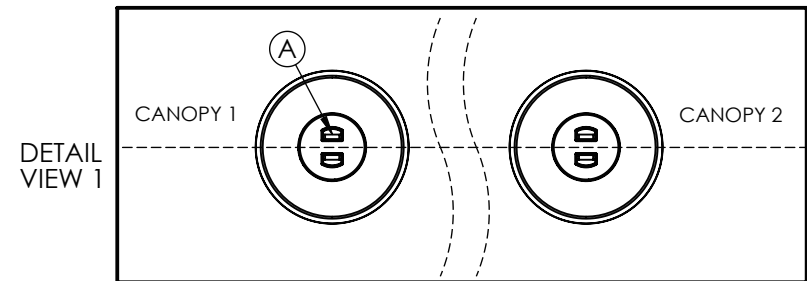
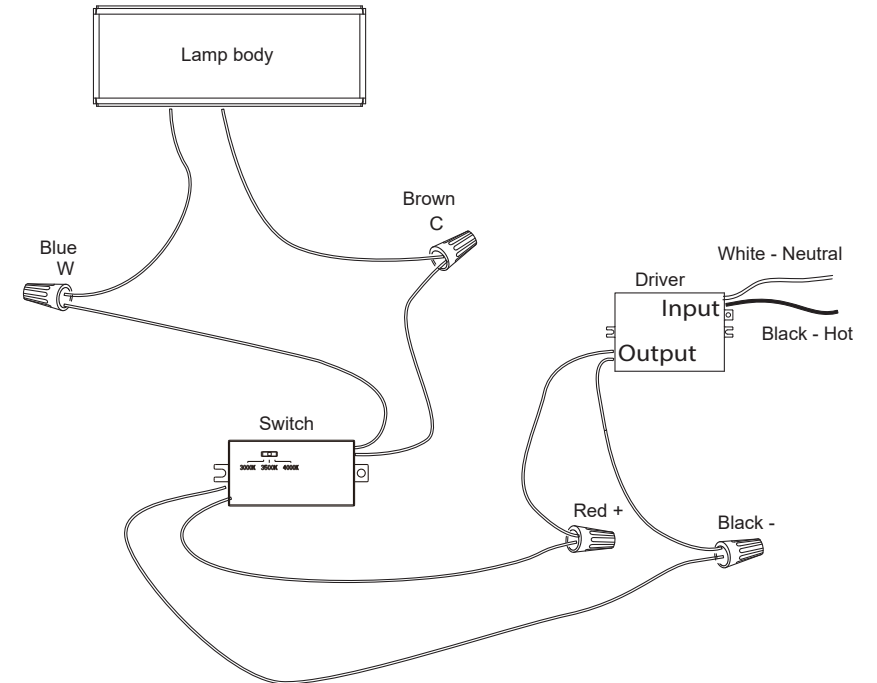
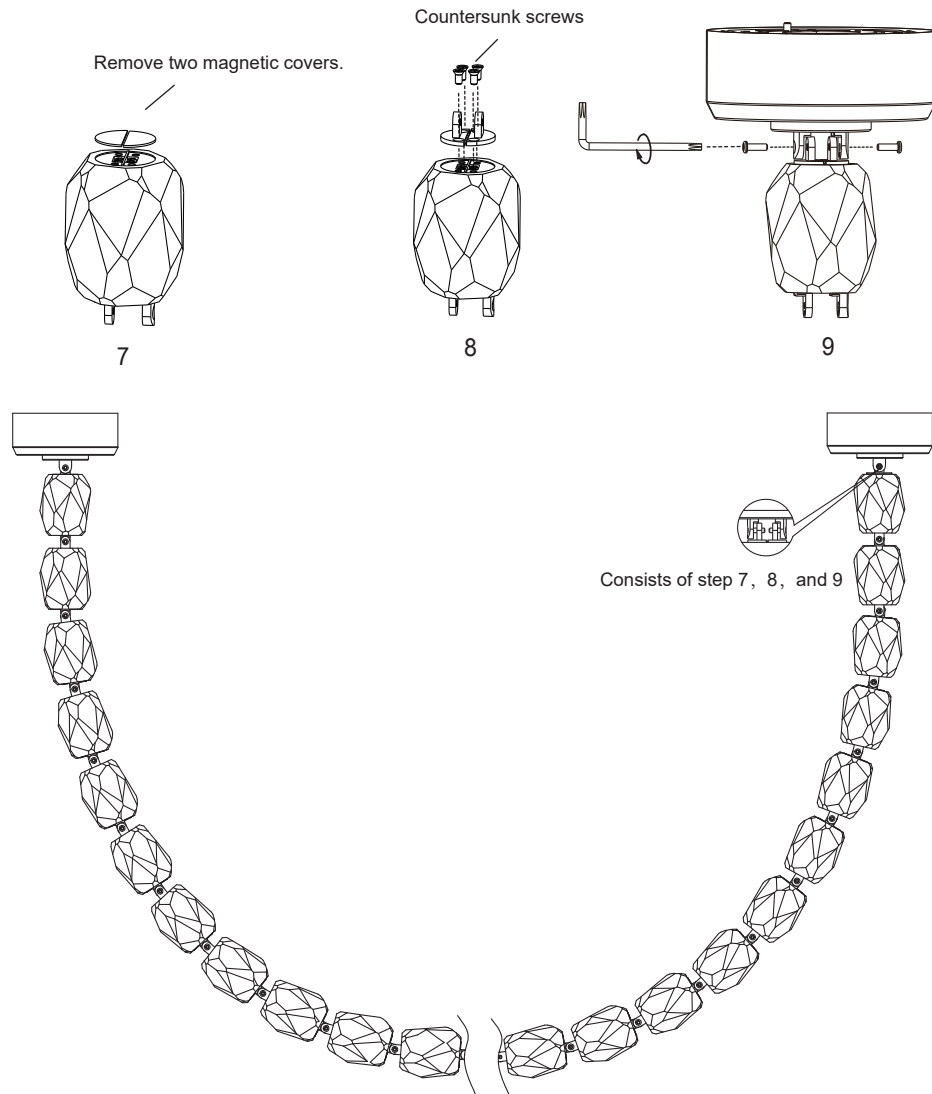
NOTE: Align connection so that tabs marked with A contact each other.



Use an Allen wrench to unscrew the set screw for 3-4 turns, about 2-3mm



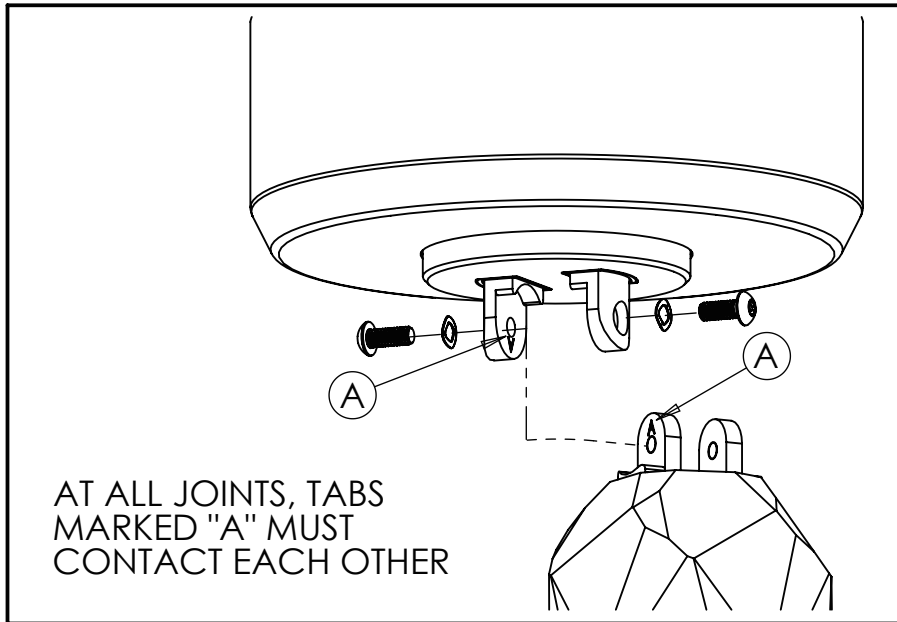
Optional Steps for Two-Canopy Structure



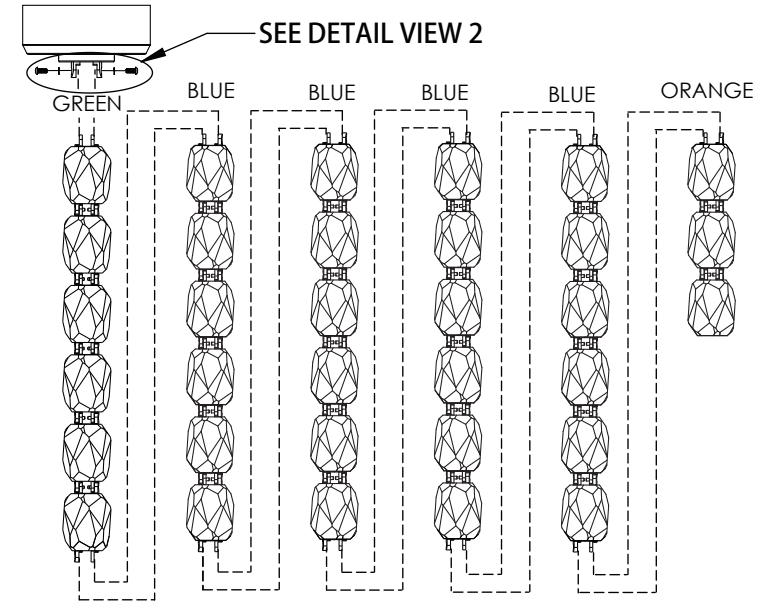
REPEAT STEPS 1-4 FOR BOTH CANOPIES. ORIENTATION MUST BE AS SHOWN IN DETAIL VIEW 1. THE TWO CANOPIES MUST BE MOUNTED IN LINE AS SHOWN.



DETAIL VIEW 2



AT ALL JOINTS, TABS
MARKED "A" MUST
CONTACT EACH OTHER



Each string of lights is identified by colored straps. Remove straps before installing. Connect sections as shown in the figure above. First, connect Green section to canopy, then attach Blue middle sections. At the end, attach Orange end section.

FULLY ASSEMBLE FIXTURE BEFORE TURNING ON POWER. TO ADJUST 3CCT SETTING, TURN OFF BEFORE ADJUSTING SWITCH.

**NOTE: AT ALL JOINTS, TABS MARKED 'A'
MUST CONTACT EACH OTHER**