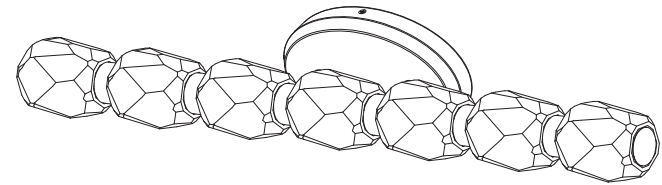


FOREVER  
SCHONBEK

**SEDUCTION  
SJW4407**



THIS DESIGN IS THE PROPRIETARY  
TRADE DRESS/TRADEMARK OF  
W. SCHONBEK LLC.

FOREVER  
SCHONBEK

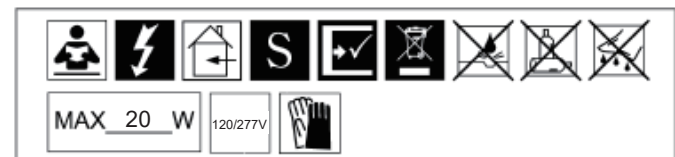
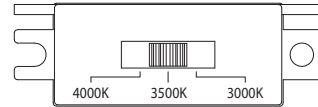


Fig. 2 Wiring

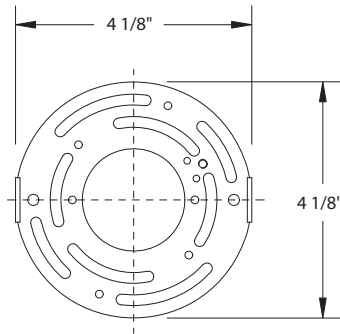


<b>Fixture Wires</b> Black or Smooth	<b>House Wires</b> Black (Live)
<b>Fixture Wires</b> White or Ribbed	<b>House Wires</b> White (Neutral)
<b>Fixture Wires</b> Bare wire (Ground)	<b>House Wires</b> Green or Bare Copper (Ground)

Fig. 3 Switch



WALL PLATE



SJW4407  
WALL PLATE

**HARDWARE**

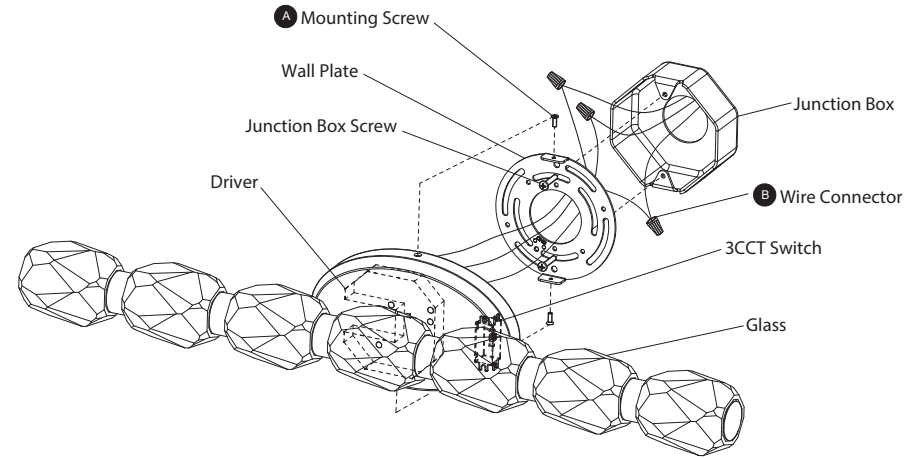


Mounting Screw  
Qty: 1 Extra



Wire Connector  
Qty: 3pcs +1 Extra

Fig. 1



**PREPARATION**

1. Shut off the power at the circuit breaker and remove existing fixture, including the crossbar.
2. Carefully unpack your new fixture and lay out all the parts in a clear area. Be careful not to lose any small parts necessary for installation.
3. Use gloves when handling trim, crystals, and glass components during installation.

**MOUNTING THE FIXTURE (Fig. 1, Fig. 3)**

4. Remove mounting screw (A) from wall plate.
5. Set color temperature at this stage. The fixture can switch between three color temperatures (3000k, 3500k, 4000k), which can be adjusted to your preference using the 3CCT switch (Fig. 3) mounted in the wall plate.
6. Secure wall plate to junction box using original junction box screws.
  - (i) It is recommended to use only original junction box screws or replacements provided by junction box manufacturer.
  - (ii) The side of the wall plate marked "GND" must face out, towards the installer.

**CONNECTING THE WIRES (Fig. 2)**

7. Connect the driver's input wires to the junction box wires (Fig. 2), using wire connectors (B) provided. Ensure all wire connectors are secure. Connect the fixture's ground wire to the ground in the junction box; this will be either a green wire or a bare copper wire. After fixture is wired to house wires, tuck wires carefully inside the junction box.

**COMPLETING THE INSTALLATION (Fig. 1)**

8. Secure the fixture to wall plate using mounting screw (A).

