

FOREVER  
SCHONBEK

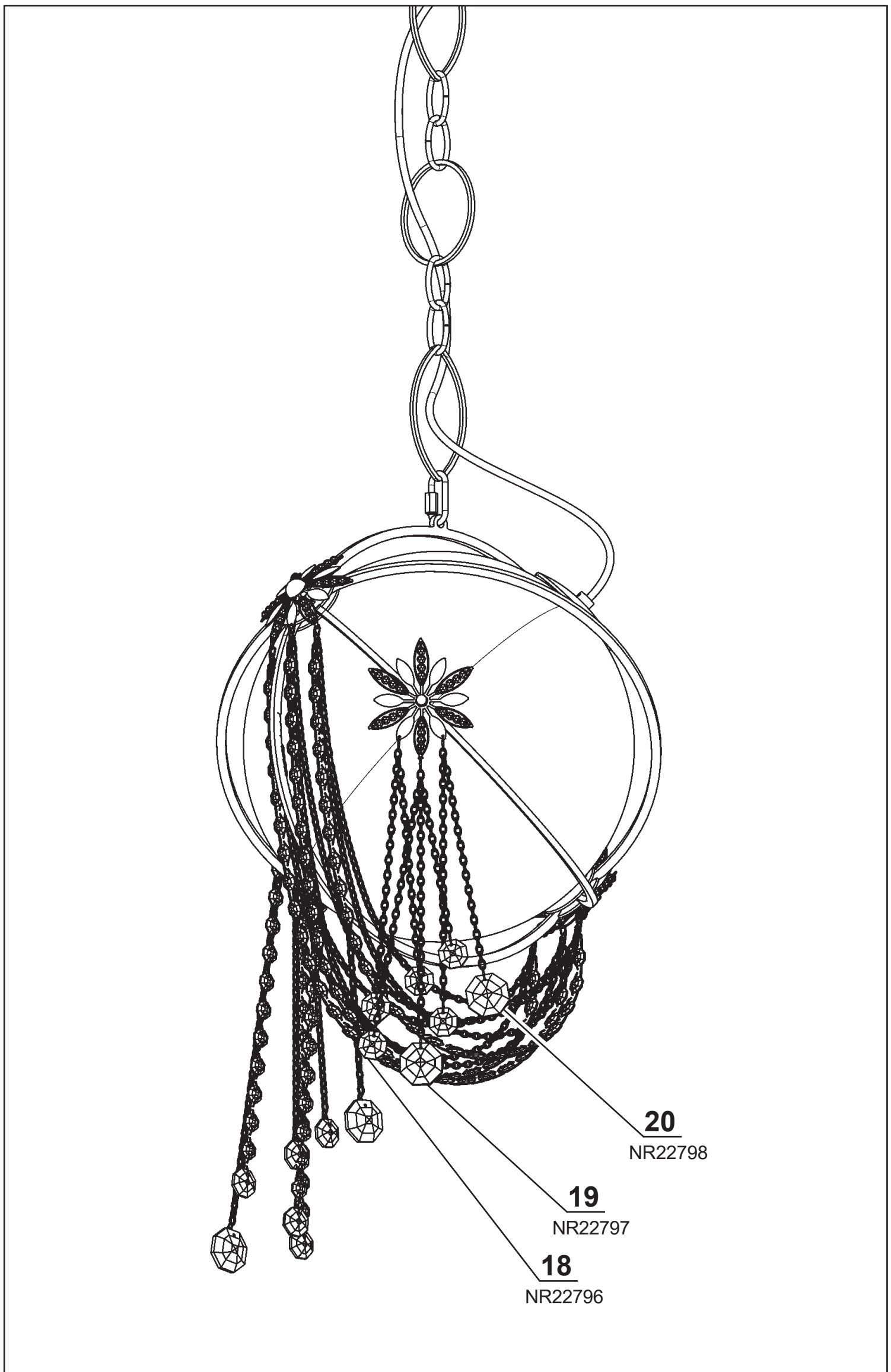
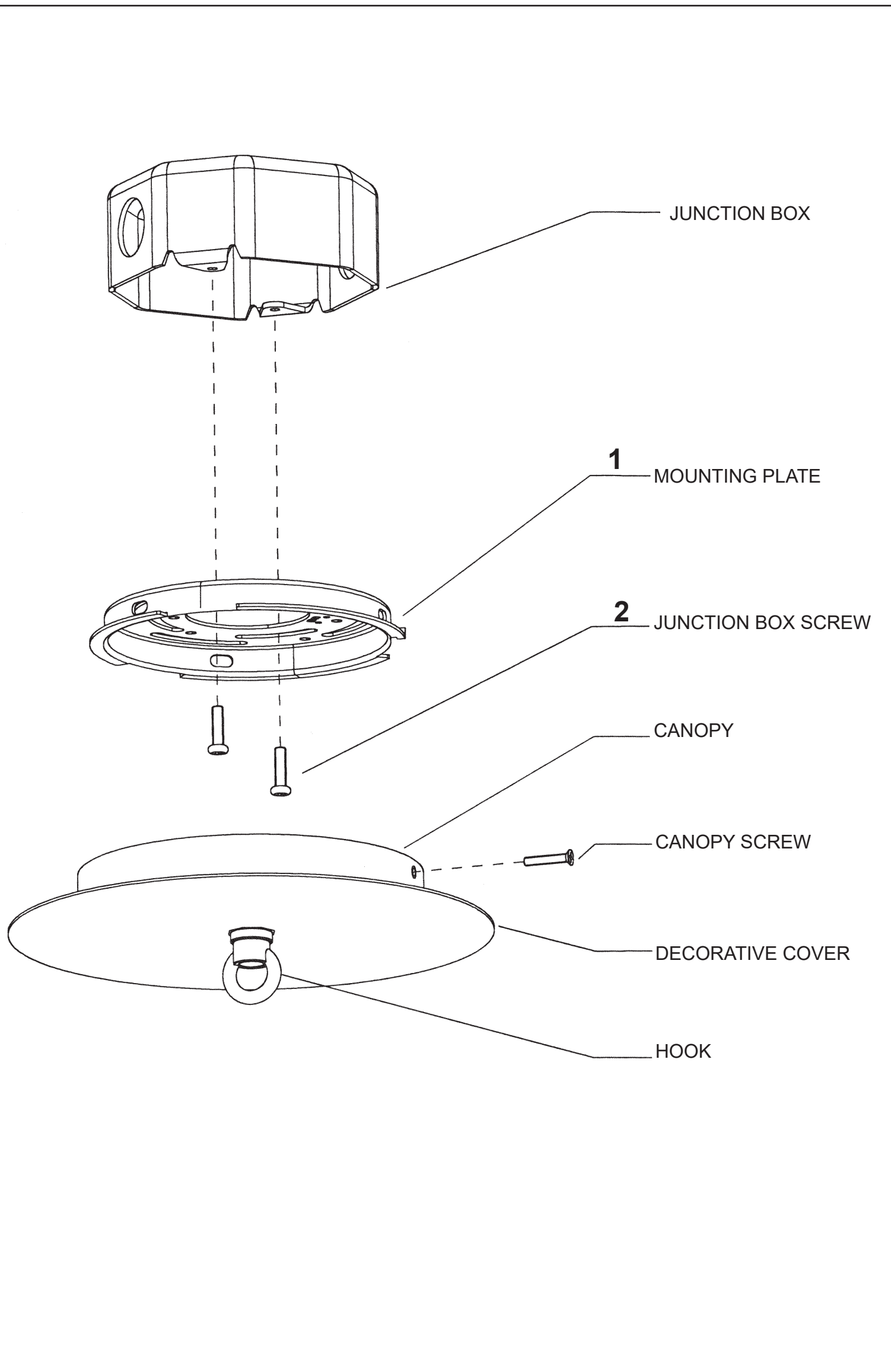
Revere  
SJ7901- \_\_ \_\_ R



THIS DESIGN IS THE PROPRIETARY  
TRADE DRESS/TRADemark OF  
W SCHONBEK LLC.

FOREVER  
SCHONBEK

MAX <u>5</u> W	120-277 V							





**15**  
NR22799

**16**  
NR22800

**17**  
NR22801

