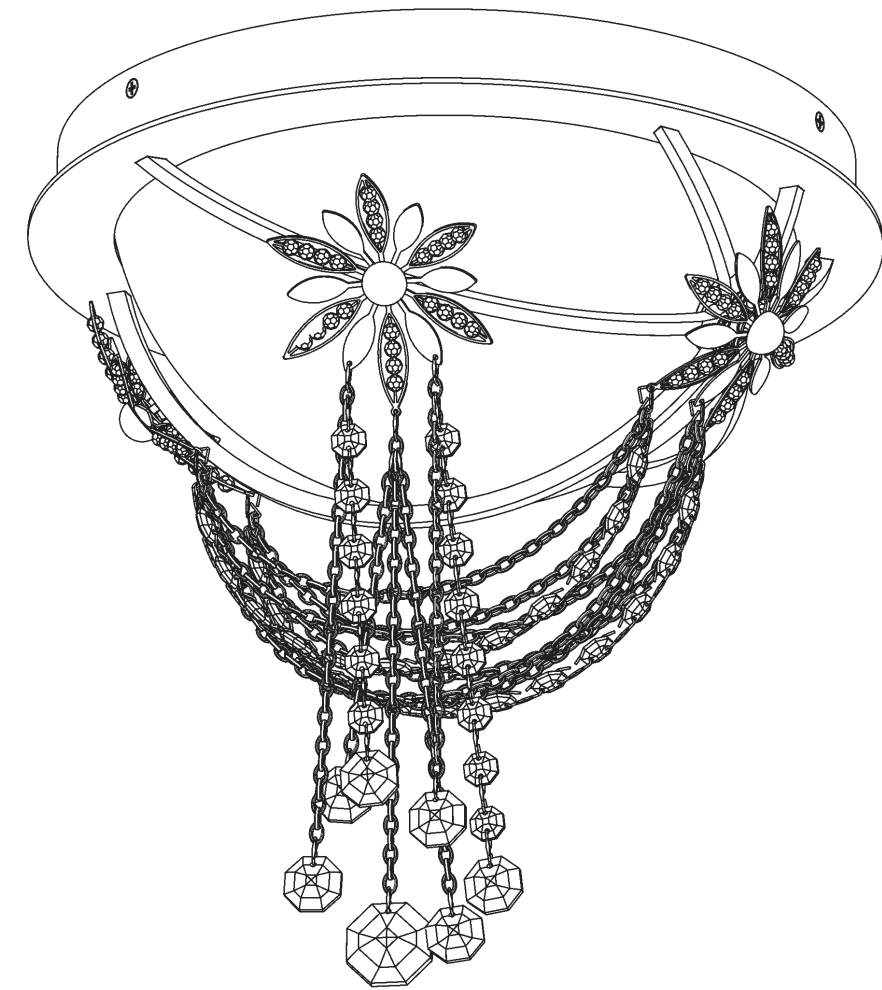


FOREVER
SCHONBEK

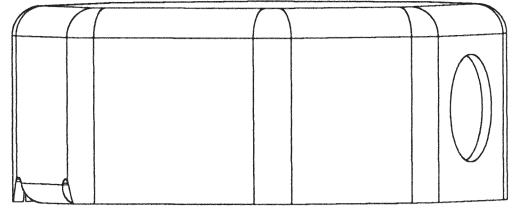
Revere
SJ7922- __ __ R



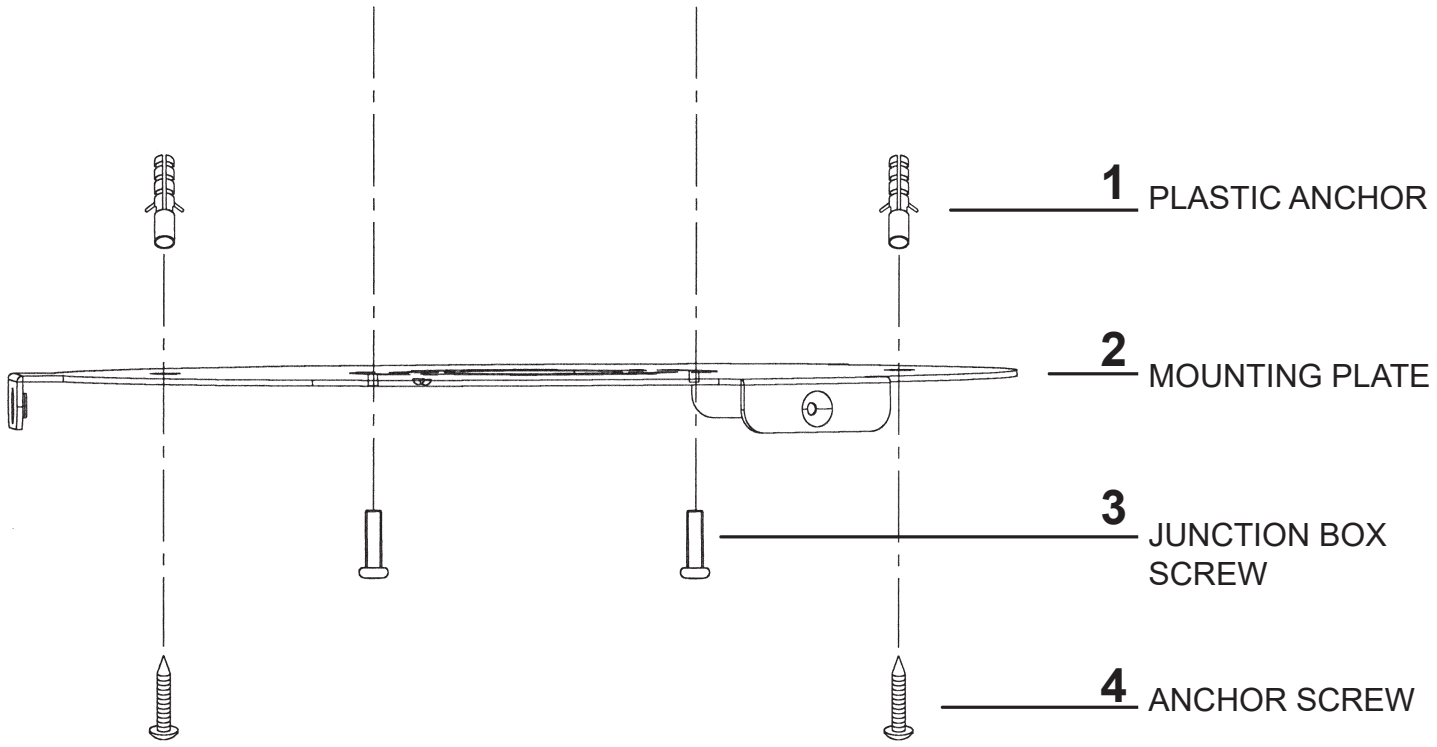
THIS DESIGN IS THE PROPRIETARY
TRADE DRESS/TRADemark OF
W SCHONBEK LLC.

FOREVER
SCHONBEK

MAX 15 W	120-277 V							



JUNCTION BOX

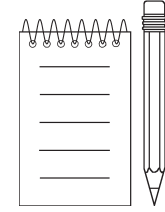


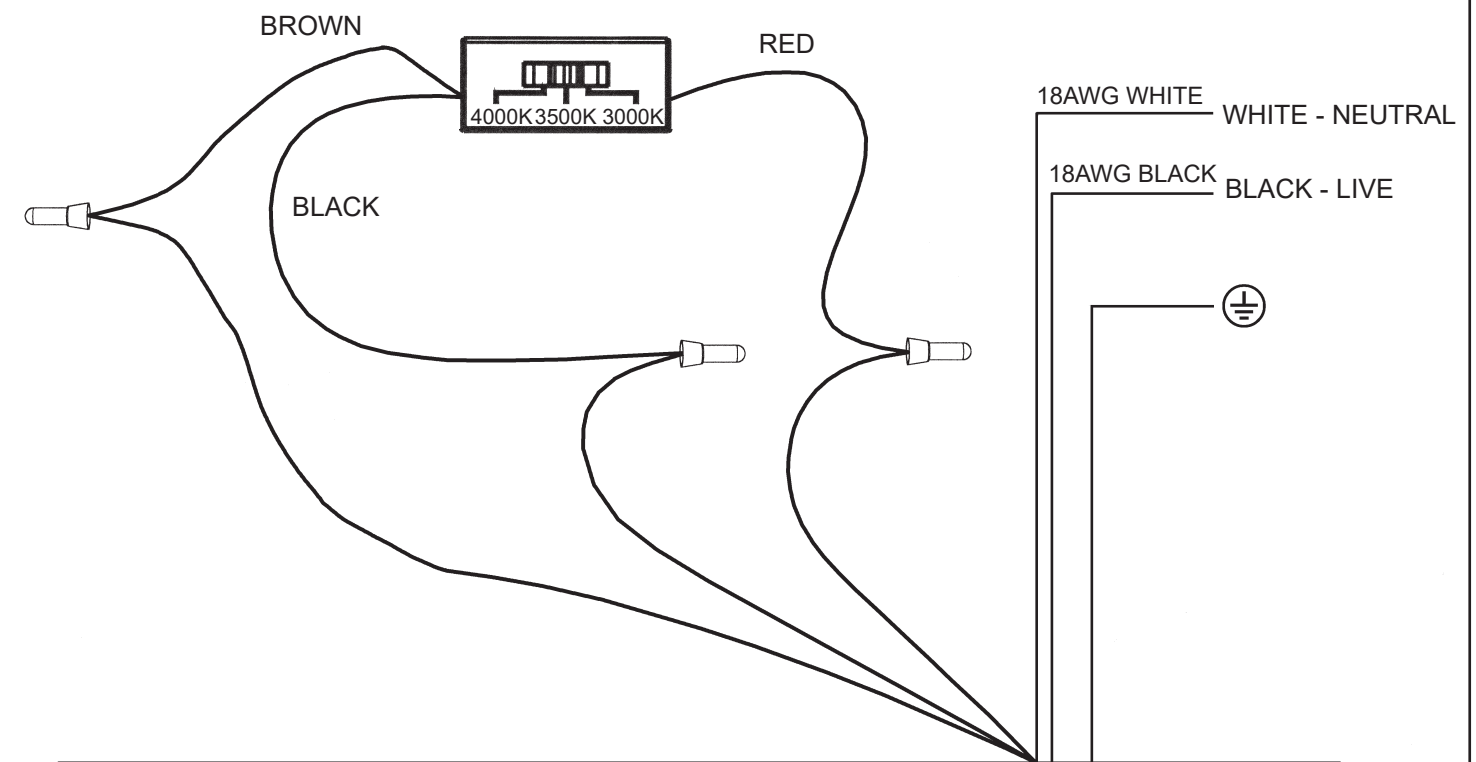
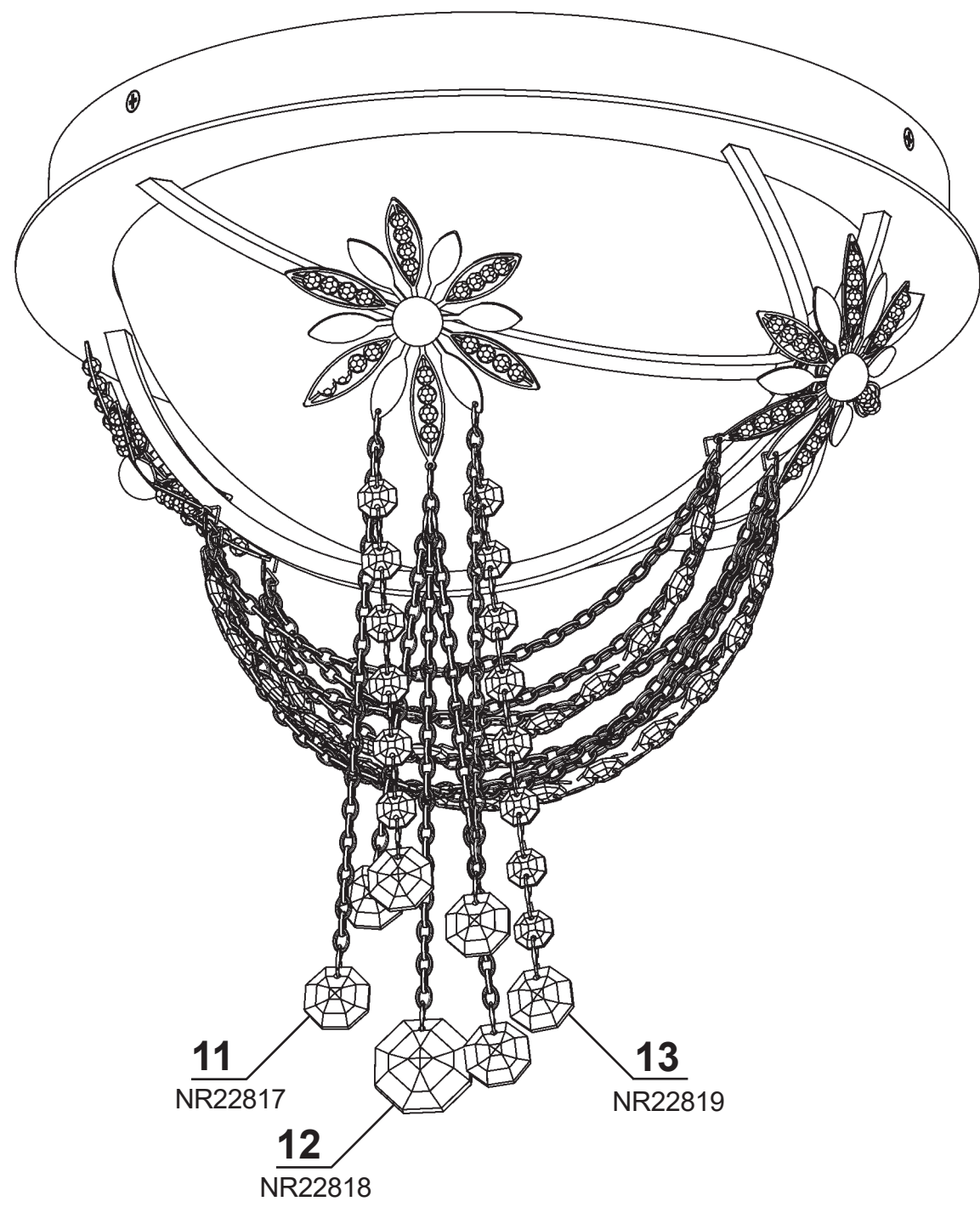
1 PLASTIC ANCHOR

2 MOUNTING PLATE

3 JUNCTION BOX SCREW

4 ANCHOR SCREW





MODULE AND HEAT SINK PLATE ASSEMBLY

