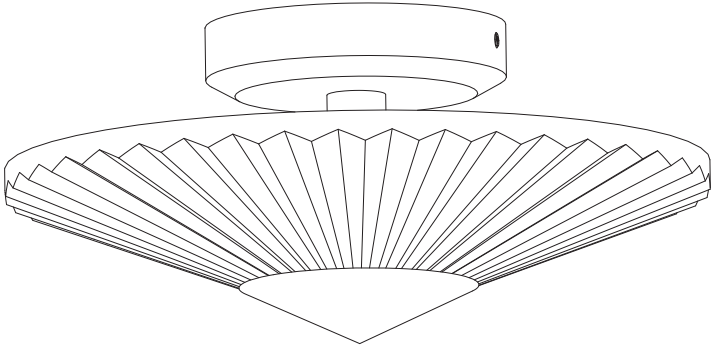
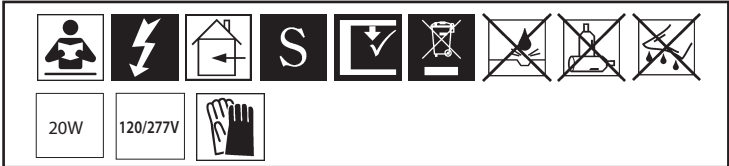


**ORIGAMI  
S7216-\_\_H**



**T**HIS DESIGN IS THE PROPRIETARY  
TRADE DRESS/TRADEMARK OF  
W SCHONBEK LLC.



[WWW.SCHONBEK.COM/INSTALLATIONMANUAL](http://WWW.SCHONBEK.COM/INSTALLATIONMANUAL)

All electrical components must be installed by a licensed electrician in accordance with the National Electric Code and the appropriate local electrical codes.

