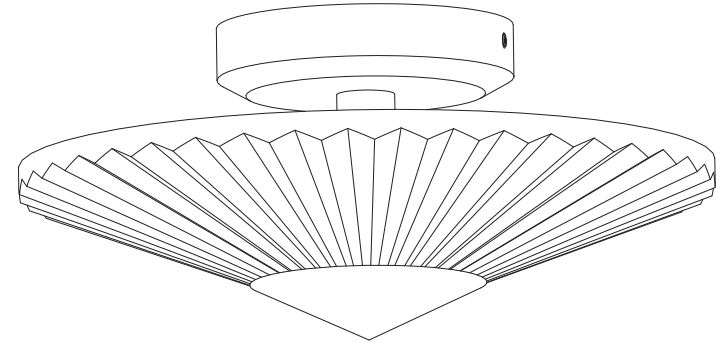
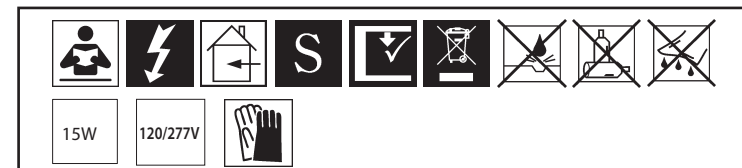


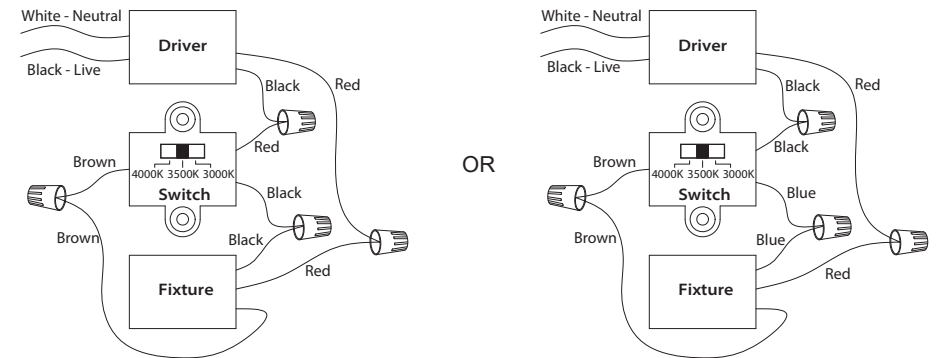
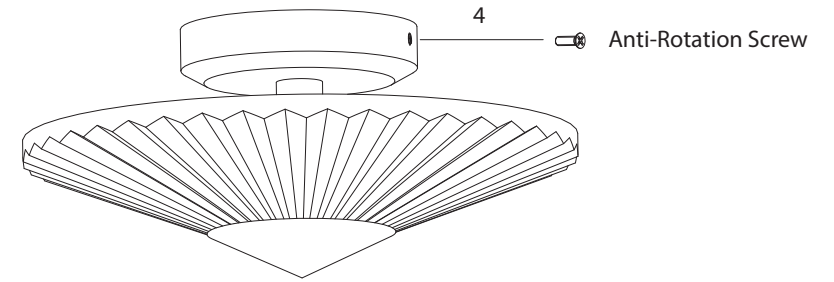
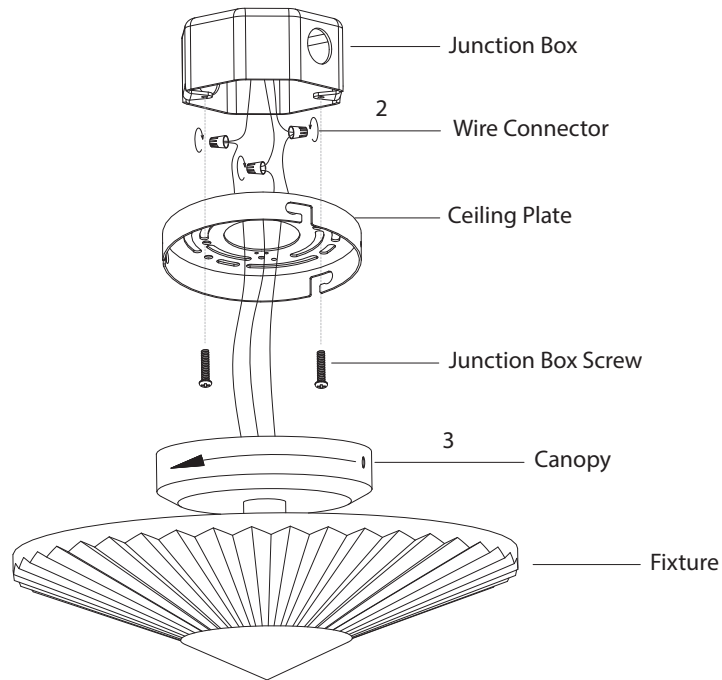
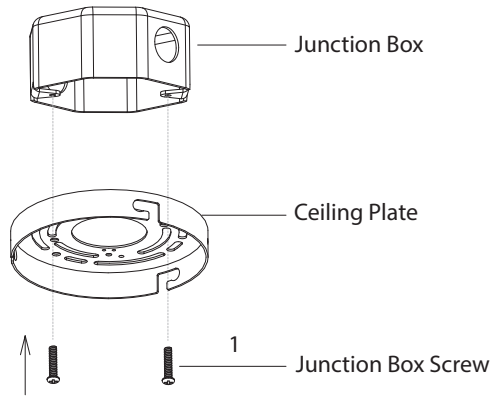
# ORIGAMI S7212-\_\_\_H



**T**HIS DESIGN IS THE PROPRIETARY  
TRADE DRESS/TRADEMARK OF  
W SCHONBEK LLC.



All electrical components must be installed by a licensed electrician in accordance with the National Electric Code and the appropriate local electrical codes.



Note: Fixture will follow one of two wiring configurations shown. Identify which schematic is correct for your fixture by checking the switch wire colors.

