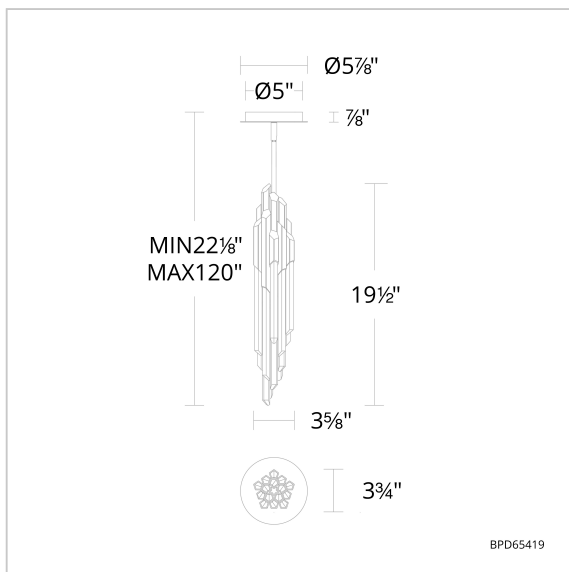


# Organza

BPD65419



## LINE DRAWING



**Project:**

**Location:**

**Fixture Type:**

**Catalog Number:**

## DESCRIPTION

Stylistic. Layered rods ornamented with metallic geometric accents epitomize the Art Deco influence of this luminaire. Optic Haze Quartz™ elements lit by LEDs cast warmth in all directions.

## FEATURES

- Illuminated Optic Haze™ Quartz includes unique variations in luster, hue, and patterning
- 4CCT adjustability switch. Set from 3000K/3500K/4000K/5000K
- Can be mounted on a sloped ceiling.
- Can be mounted on wall in all orientations
- Driver concealed within the canopy

## CRYSTAL OPTIONS



Optic Haze  
Quartz  
(OH)

## FINISH OPTIONS



Black  
(-BK)



Aged Brass  
(-AB)

## SPECIFICATIONS

<b>Light Source</b>	LED
<b>CRI</b>	90
<b>Dimming</b>	ELV, Triac
<b>Standards</b>	ETL/cETL

## REPLACEMENT PARTS

- RPL-GLA-65419-05 - Replacement Crystal E
- RPL-GLA-65419-04 - Replacement Crystal D
- RPL-GLA-65419-03 - Replacement Crystal C
- RPL-GLA-65419-02 - Replacement Crystal B
- RPL-GLA-65419-01 - Replacement Crystal A

Model	Crystal	Finish	Size	CCT	Voltage	Wattage	Weight	LED Lumens	Delivered Lumens
BPD65419	OH	- AB - BK	19"	3000K/3500K/ 4000K/5000K	120/277V	16.5W	6.8lbs	1500	Up To 486

Example: BPD65419-BK