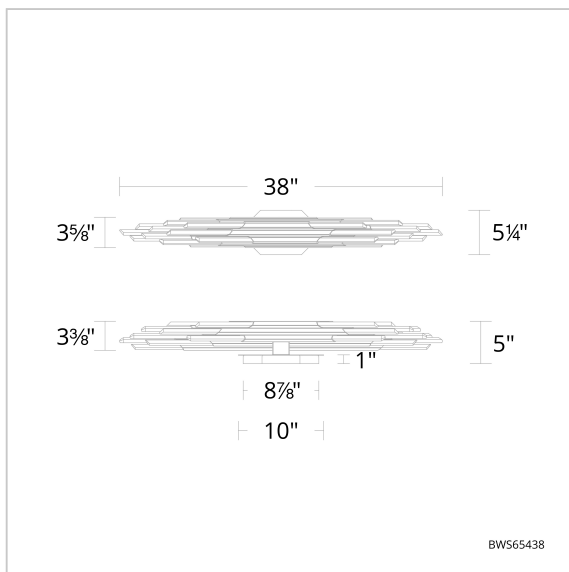


Organza

BWS65438



LINE DRAWING



Project:

Location:

Fixture Type:

Catalog Number:

DESCRIPTION

Stylistic. Layered rods ornamented with metallic geometric accents epitomize the Art Deco influence of this luminaire. Optic Haze Quartz™ elements lit by LEDs cast warmth in all directions.

FEATURES

- Illuminated Optic Haze™ Quartz includes unique variations in luster, hue, and patterning
- 4CCT adjustability switch. Set from 3000K/3500K/4000K/5000K
- Can be mounted on wall in all orientations
- Driver concealed within the fixture

CRYSTAL OPTIONS



Optic Haze
Quartz
(OH)

FINISH OPTIONS



Aged Brass
(-AB)



Black
(-BK)

SPECIFICATIONS

Light Source	LED
CRI	90
Dimming	ELV,0-10V, Triac
Standards	ETL/cETL

REPLACEMENT PARTS

- RPL-GLA-65419-05 - Replacement Crystal E
- RPL-GLA-65419-04 - Replacement Crystal D
- RPL-GLA-65419-03 - Replacement Crystal C
- RPL-GLA-65419-02 - Replacement Crystal B
- RPL-GLA-65419-01 - Replacement Crystal A

Model	Crystal	Finish	Size	CCT	Voltage	Wattage	Weight	LED Lumens	Delivered Lumens
BWS65438	OH	- AB - BK	38"	3000K/3500K/ 4000K/5000K	120-277V	23.5W	13.6lbs	2100	Up To 488

Example: BWS65438-AB