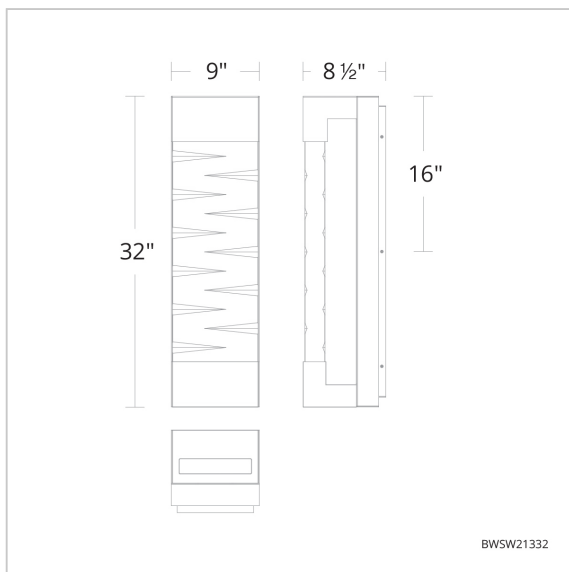


Labrynth

BWSW21332



LINE DRAWING



Project:

Location:

Fixture Type:

Catalog Number:

DESCRIPTION

A labyrinth of sparkling Clear Optic Crystal combines the uncomplicated appeal of simple cuts with the playfulness of mirrored reflections.

FEATURES

- Specifically formulated using powder coat to resist UV and coastal environmental conditions, providing a long-lasting finish with premium 316 Marine mirror grade stainless steel plate and hardware
- Built in color temperature adjustability. Switch from 3000K/3500K/4000K. Switch may be installed in junction box.
- Driver concealed within the canopy

CRYSTAL OPTIONS



Optic Crystal
(O)

FINISH OPTIONS



Black
(-BK)

SPECIFICATIONS!

Light Source	LED
CRI	90
Dimming	ELV,0-10V, Triac
Standards	ETL/cETL, Title 24

Model	Crystal	Finish	Size	CCT	Voltage	Wattage	Weight	LED Lumens	Delivered Lumens
BWSW21332	O	- BK	32"	3000K/3500K/ 4000K	120V-277V	45W	27.2lbs	2027	Up To 1484

Example: BWSW21332-BK

Labrynth

schonbek.com
Phone (800) 836.1892 | Fax: (518) 563.4228

Headquarters/Eastern Distribution Center
61 Industrial Blvd, Plattsburgh, NY 12901