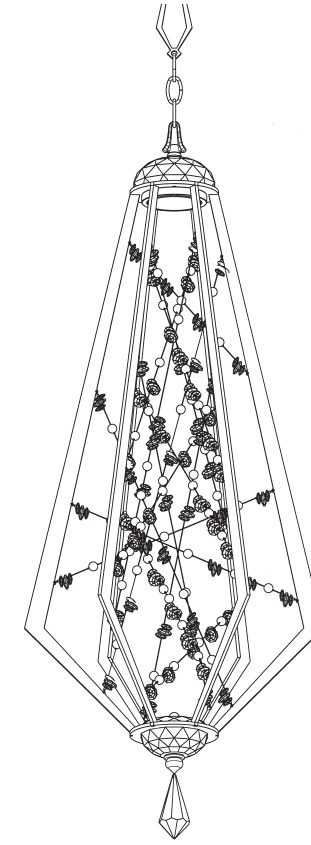


FOREVER  
SCHONBEK

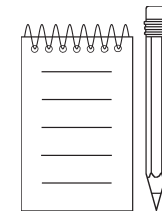
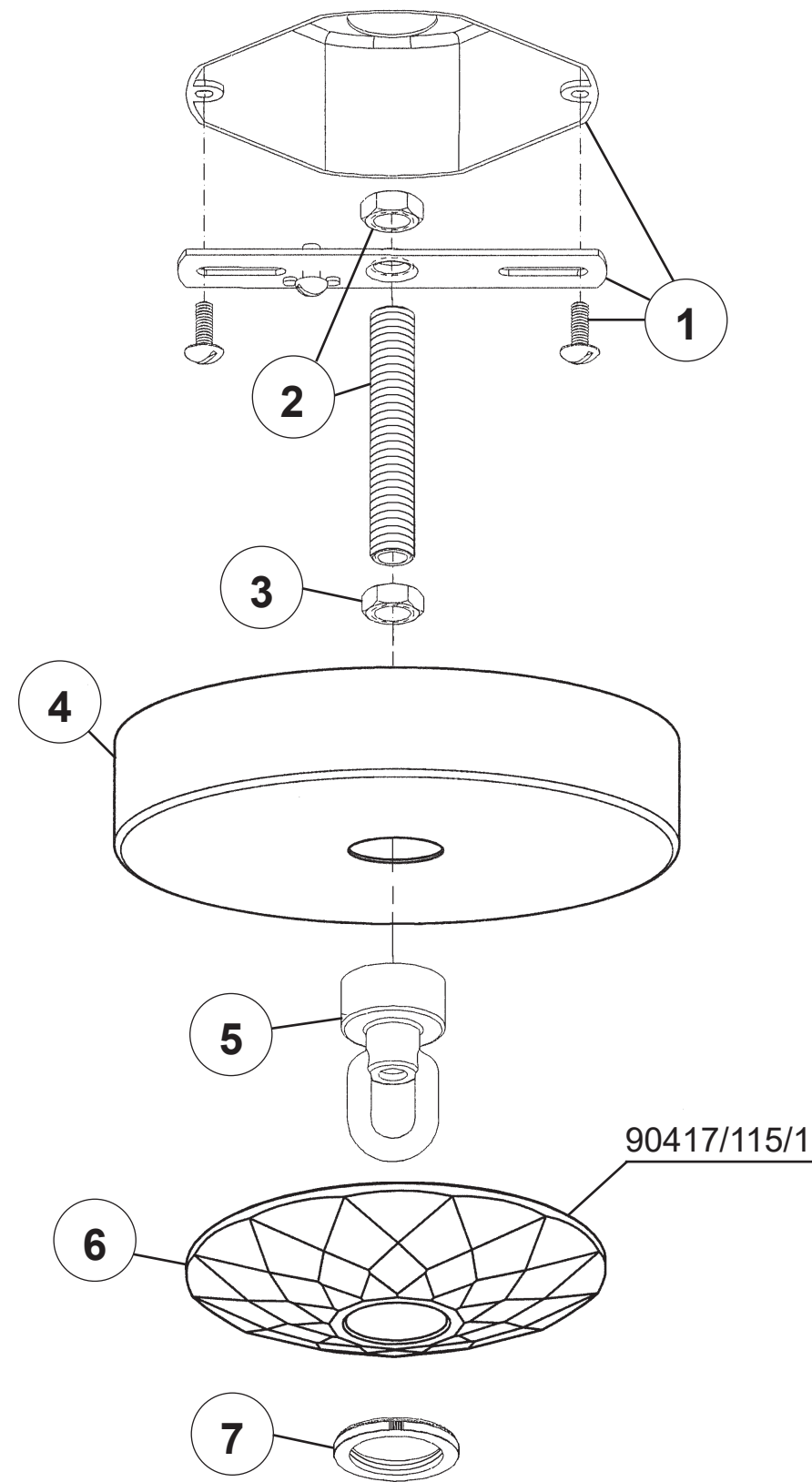
ETERNITY  
SJ6739-\_\_\_\_\_R



THIS DESIGN IS THE PROPRIETARY  
TRADE DRESS/TRADEMARK OF  
W SCHONBEK LLC.

FOREVER  
SCHONBEK

MAX 17 W	110-120 V							



90607/109

90600/90

90608/90

400/25-\*\*

22

23

NR22623-\*\*

