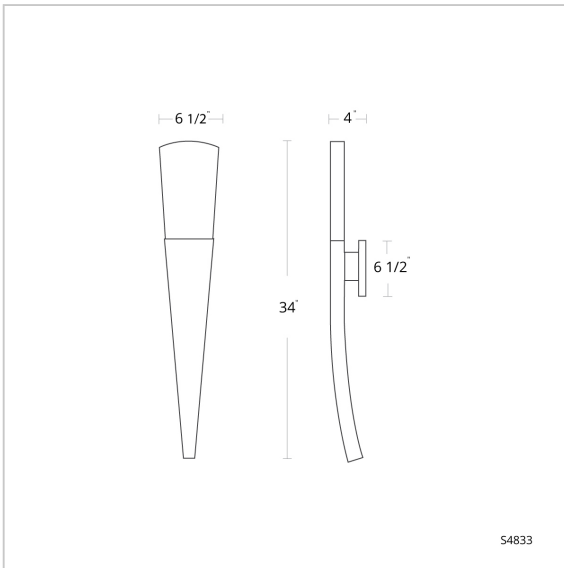


Embrace

S4833



LINE DRAWING



DESCRIPTION

A convergence of form and light. Swathes of smooth metal tipped with blocks of Optic Haze Crystal deliver LED illumination that is subtle in its simplicity.

FEATURES

- Optic Haze™, made of natural quartz, has unique variations in luster, hue, patterning and texture inherent to this material. When illuminated, the dimension of the crystal is beautifully accented.
- Built-in adjustable 3000K / 3500K / 4000K color temperature switch in backplate
- "A proprietary universal 120V-220V-277V driver concealed within the canopy suspension height"
- Driver concealed within the canopy

CRYSTAL OPTIONS



Optic Haze
Crystal
(OH)

FINISH OPTIONS



Aged Brass
(-700)



Black
(-18)

SPECIFICATIONS!

| | |
|---------------------|---------------------|
| Light Source | LED |
| CRI | 90 |
| Dimming | ELV, Triac |
| Standards | ETL/cETL, Title 24, |

REPLACEMENT PARTS

RPL-GLA-4427 - Replacement Glass for S4427

| Model | Finish | Crystal | Size | CCT | Weight | Voltage | Wattage | LED Lumens | Delivered Lumens |
|-------|---------------|---------|------|-----------------------|--------|-----------|---------|------------|------------------|
| S4833 | - 700 - 18 | OH | 34" | 3000K/3500K/ 4000K | 9lbs | 120V-277V | 28W | 3350 | Up To 2010 |

Example: S4833-700OH

Embrace

schonbek.com
Phone (800) 836.1892 | Fax: (518) 563.4228

Headquarters/Eastern Distribution Center
61 Industrial Blvd, Plattsburgh, NY 12901