

# CARAT

BFM12213




---

**Project:**

---

**Location:**

---

**Fixture Type:**

---

**Catalog Number:**

---

### AVAILABLE FINISHES



PN: Polished Nickel

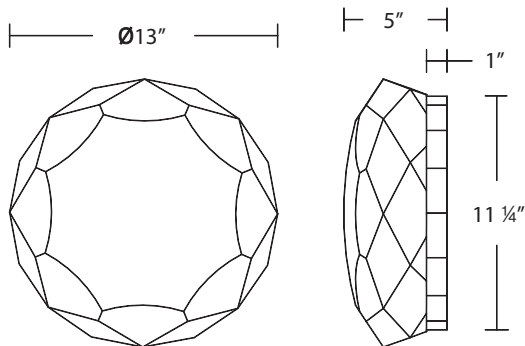
### DESCRIPTION

Ravishing, multifaceted and as brilliant as an engagement ring. Thick Schonbek optic crystal creates an impressive textured glass inner shade embraced by a chiseled complementary frame. High quality LEDs deploy optimal ambient illumination.

### FEATURES

- Built-in color temperature adjustability switch from 3000K/3500K/4000K at time of installation
- A proprietary universal 120V-220V-277V driver concealed within the fixture
- Can be mounted on ceiling or wall in all orientations

### LINE DRAWING



### SPECIFICATIONS

<i>CRI</i>	90
<i>Dimming</i>	ELV, 0-10V, TRIAC
<i>Standards</i>	ETL/cETL, Damp, Title 24

### REPLACEMENT PARTS

- RPL-GLA-12213 - Outer glass
- RPL-GLA-12213-01 - Inner Glass

Model	Size	LED Color Temp	Finish	Voltage	Wattage	Weight	LED Lumens	Delivered Lumens
BFM12213	13"	3000K/3500K/4000K	<b>PN</b> Polished Nickel	120-277V	23W	17 lb	2286	2062

**Example: BFM12213-PN**