

HINKLEY

36" SAWYER™

INDOOR / OUTDOOR LED FAN



WET



LED



CEILING FAN INSTRUCTION MANUAL

WE WANT YOU TO LOVE YOUR NEW FAN

SO WE'RE HERE IF YOU HAVE A QUESTION, NEED SOME HELP OR WANT TO CHAT ABOUT OUR PRODUCTS. SEND SUGGESTIONS OUR WAY TOO—WE'RE ALWAYS LOOKING TO MAKE YOUR EXPERIENCE WITH HINKLEY A POSITIVE ONE.

> SERVICE@HINKLEY.COM

> [800.HINKLEY](tel:800.HINKLEY)

> [LET'S SEE THAT HINKLEY STYLE @HINKLEY](#)
[#HINKLEYSSTYLE](#)

This manual contains complete instructions for the installation and operation of this fan. It has been designed to make the installation process as easy as possible. If you are unfamiliar or uncomfortable with wiring, please contact a qualified electrician. If you need additional assistance or have any questions, please reach out to us.

For warranty information, visit hinkley.com.

TABLE OF CONTENTS

02	GENERAL INSTALLATION & OPERATING INSTRUCTIONS	10	INSTALLING THE MONTING PLATE
03	IMPORTANT SAFETY PRECAUTIONS	11	INSTALLING THE LED BULBS AND GLASS SHADES
03	TOOLS & MATERIALS REQUIRED	12	INSTALLING THE WALL CONTROL
04	UNPACKING YOUR FAN	13	OPERATION
05	PREPARATION	14	CARE AND CLEANING
05	INSTALLING THE HANGING BRACKET	14	TROUBLESHOOTING
06	HANGING THE FAN	15	ENERGY GUIDE
08	ELECTRICAL CONNECTIONS	15	SPECIFICATIONS
09	FINISHING THE INSTALLATION	15	SMART BY BOND
10	INSTALLING THE BLADES		

WARNING:

Read and follow these instructions carefully and be mindful of all warnings shown throughout.

GENERAL INSTALLATION & OPERATION INSTRUCTIONS

- 1 To ensure the success of the installation, be sure to read the instructions and review the diagrams thoroughly before beginning.
- 2 To avoid possible electric shock, be sure electricity is turned off at the main power box before wiring. All electrical connections must be made in accordance with local codes, ordinances and/or the National Electric Code. If you are unfamiliar with the methods of installing electrical wiring and products, secure the services of a qualified and licensed electrician as well as someone who can check the strength of the supportive ceiling members and make the proper installation(s) and connections.
- 3 **WARNING:** To reduce the risk of fire, electric shock, or other personal injury, mount fan only on an outlet box or supporting system marked acceptable for fan support of 35 lbs (15.9 kg) or less and use mounting screws provided with the outlet box. Most outlet boxes commonly used for the support of lighting fixtures are not acceptable for fan support and may need to be replaced. Consult a qualified electrician if in doubt.
- 4 Make sure that your installation site will not allow rotating fan blades to come in contact with any object. Blades should be at least 7 feet from floor.
- 5 Blades should be attached after motor housing is hung and in place. Fan motor housing should be kept in the carton until ready to be installed to protect its finish. If you are installing more than one ceiling fan, make sure that you do not mix fan blade sets, as each blade is part of a weighted set.
- 6 After making electrical connections, spliced conductors should be turned upward and pushed carefully up into outlet box. The wires should be spread apart with the common conductor and the grounding conductor on one side of the outlet box, and the "HOT" wires on the other side.
- 7 Electrical diagrams are for reference only. Light kits that are not packed with the fan must be UL listed and should be installed per the light kit's installation instructions.
- 8 After fan is completely installed, check to make sure that all connections are secure to prevent fan from falling and/or causing damage or injury.
- 9 The fan can be made to work immediately after installation - the bearings are adequately charged with grease so that, under normal conditions, further lubrication should not be necessary for the life of the fan.
- 10 Do not operate the reverse switch while the fan blades are in motion. The fan must be turned off and the blades stopped before reversing the blades direction.

IMPORTANT SAFETY PRECAUTIONS

WARNINGS:

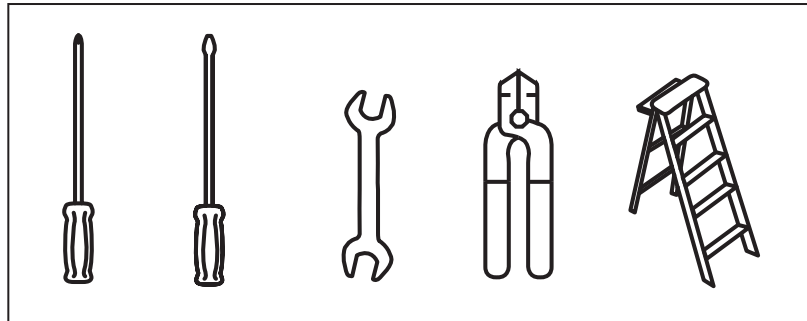
- Disconnect power by removing fuse or turning off circuit breaker before installing the fan and/or optional lighting.
- Support directly from building structure.
- To reduce the risk of fire, electric shock, or personal injury, mount to outlet box marked "acceptable for fan support" and use mounting screws provided with the outlet box. Most outlet boxes commonly used for the support of lighting fixtures are not acceptable for fan support and may need to be replaced. Consult a qualified electrician if in doubt.
- Do not use an incandescent light dimmer. Do not use this fan with any transformer type fan speed control device.
- To reduce the risk of personal injury, do not bend the blade arms when installing them, balancing the blades or cleaning the fan. Do not insert any objects(s) between rotating fan blades.

NOTE:

The important precautions, safeguards and instructions appearing in this manual are not meant to cover all possible conditions and situations that may occur. It must be understood that common sense, caution and carefulness are factors which cannot be built into this product. These factors must be supplied by the person(s) installing, caring for and operating the unit.

TOOLS & MATERIALS REQUIRED

- PHILLIPS SCREWDRIVER
- FLAT SCREWDRIVER
- WRENCH OR PLIERS
- WIRE CUTTER
- STEPLADDER
- WIRING SUPPLIES AS REQUIRED BY ELECTRICAL CODE



UNPACKING YOUR FAN

UNPACK YOUR FAN AND CHECK THE CONTENTS.

- Do not discard the carton. If warranty replacement or repair is ever necessary, the fan should be returned in original packing. Remove all parts and hardware. Do not lay motor housing on its side, or the decorative housing may shift, be bent or damaged.
- Examine all parts. You should have the following:

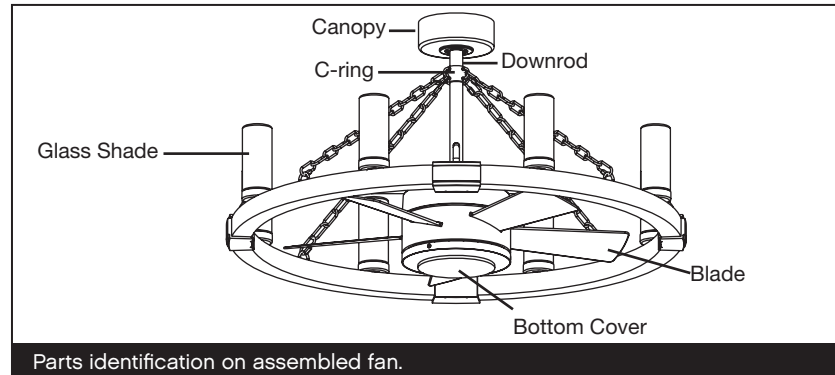
		INDY PACKAGE CONTENT	
1	Blade Set of 5	BL902928Fxx	
2	Hanging Bracket	CA9000752Fxx	
3	Ceiling Canopy and Trim Ring		
4	C-Ring	x	
5	Yoke Cover	YC902928Fxx	
6-1	12" downrod assembly	DR94012Fxx	
6-2	24" downrod	990024Fxx	
7	Fan Housing with Motor	x	
8-1	12" chain Set w/couplers	CH902912Fxx	
8-2	24" chain Set w/couplers	CH902924Fxx	
9	Glass Shades	GL902928SDY	
10	Adapter Plate	LW902928Fxx	
11	Bottom Cover		
12	Receiver Incl. 5 Wire Nuts	CN902928	
13	Wall Control w/12v Battery Wall Plate, Face Plate, 2 Sets of Mounting Screws, and Machine Screws	980013FAS	
14	4W LED Bulbs	E901256LED LMP	
15	Allen wrench	x	
16	Hardware Bag		
	Bracket Mounting Hardware(wood screws, screws, lock washers, star washers, flat washers, wire nuts), Blade to Motor Screws w/Rubber Washers, Rubber Gasket, Balance Kit, Safety cable hardware(wood screw, flat washer)		MH902928Fxx
	XX=FAN FINISH		
<p>NOTE: Design of parts shown above may look slightly different for your specific model of fan.</p>			

PREPARATION

PREPARATION:

Verify you have all parts before beginning the installation. Check foam insert closely for missing parts. Remove motor from packing. To avoid damage to finish, assemble motor on soft padded surface or use the original foam inset in motor box.

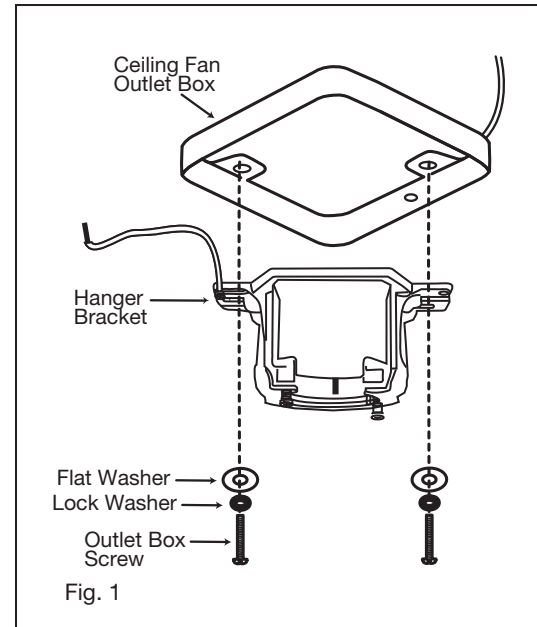
DO NOT LAY MOTOR HOUSING ON ITS SIDE AS THIS COULD RESULT IN SHIFTING OF MOTOR IN DECORATIVE ENCLOSURE.



INSTALLING THE HANGING BRACKET

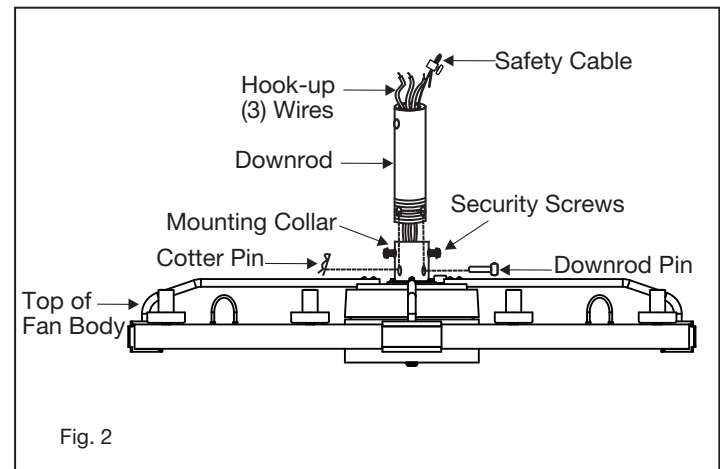
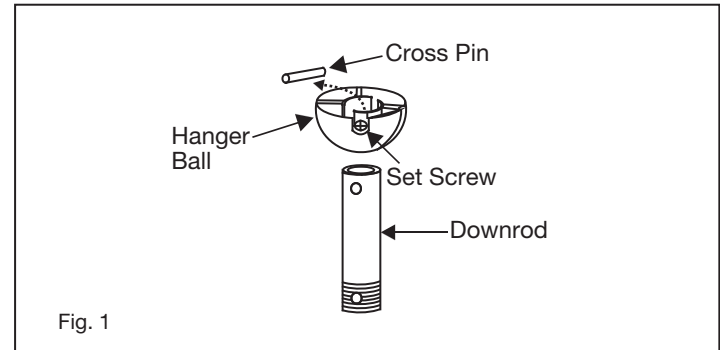
CAUTION: To avoid possible electrical shock, be sure electricity is turned off at the main power box before wiring. All wiring must be in accordance with National and Local Electrical Codes and the ceiling fan must be grounded as a precaution against possible electric shock.

- 1 Locate ceiling joist where fan is to be mounted, being sure location agrees with the requirements in the minimum clearance section of this guide. Wood joists must be sound and of adequate size to support 35 pounds (See page 2, items 3 and 4).
- 2 If not already present, mount a UL listed outlet box marked "suitable for fan support" following the instructions provided with the outlet box. The outlet box must be able to support a minimum of 35 pounds.
- 3 Remove canopy from hanger bracket. Remove twist-lock trim ring by rotating counter-clockwise. Remove canopy screw that does not have key slot in canopy. Loosen screw with key slot and remove canopy.
- 4 Attach hanging bracket to outlet box using screws provided with the outlet box.



HANGING THE FAN

- 1 Remove ball from downrod by loosening set screw in the side of the ball. Slide ball down and remove ball pin; remove ball. (Fig. 1)
- 2 Carefully support fan body (motor) in its styrofoam packing with the mounting collar (where the wires come out) facing upward.
- 3 Loosen the two security set screws and remove the downrod pin and retaining clip from the coupling on top of the motor assembly. (Fig. 2)
- 4 Carefully feed the electrical lead wires and safety cable from the fan through the downrod. Thread downrod into coupler until holes align. Insert downrod pin through holes in mounting collar and downrod; clip cotter pin through small hole in end of downrod pin to hold downrod in place.
- 5 Tighten security set screws against downrod using a large flat blade screwdriver to ensure a tight fit against downrod. Tighten nuts against mounting collar.



- 1 Slip the yoke cover, c-ring, trim ring and canopy onto the downrod. (Fig. 3)
- 2 Slide the hanger ball onto the downrod, insert the cross pin through the downrod and tighten. Tighten the set screw.

NOTE:

Fan has 6 feet of hook-up wire in case you are using a long extension downrod.

- 3 Lift ball/downrod/fan into hanger bracket opening. **NOTE:** The tab opposite hanger bracket opening should fit in slot on ball. (Fig. 4)
- 4 Make wire connections, (refer to section titled "Electrical Connections").
- 5 Slide canopy up and fasten to hanger bracket with 4 screws provided.

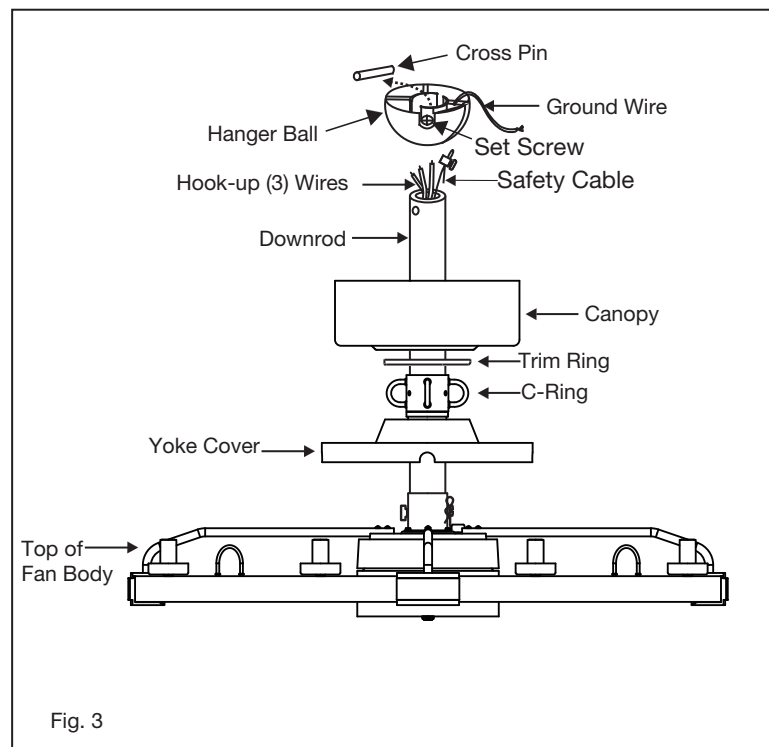


Fig. 3

INSTALLATION OF SAFETY CABLE SUPPORT

Attach the wood screw and the flat washer to the ceiling joist as shown (do not fully tighten). Slide the cable clamp onto the safety cable from the fan. Loop the safety cable around the wood screw that was just attached to ceiling joist. Feed the end of the cable into the clamp and pull as much cable through as possible. Firmly tighten screw in the clamp. Cut off excess cable.

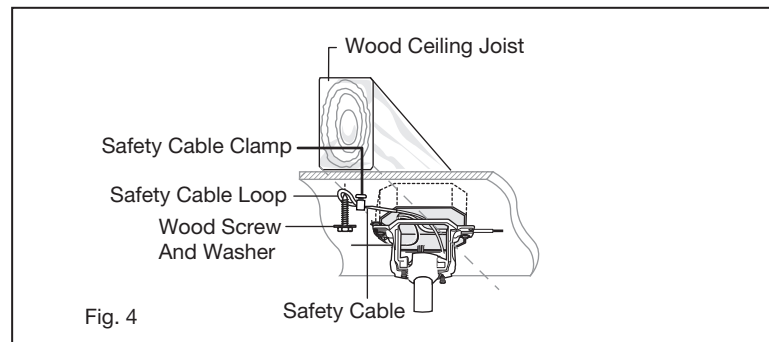


Fig. 4

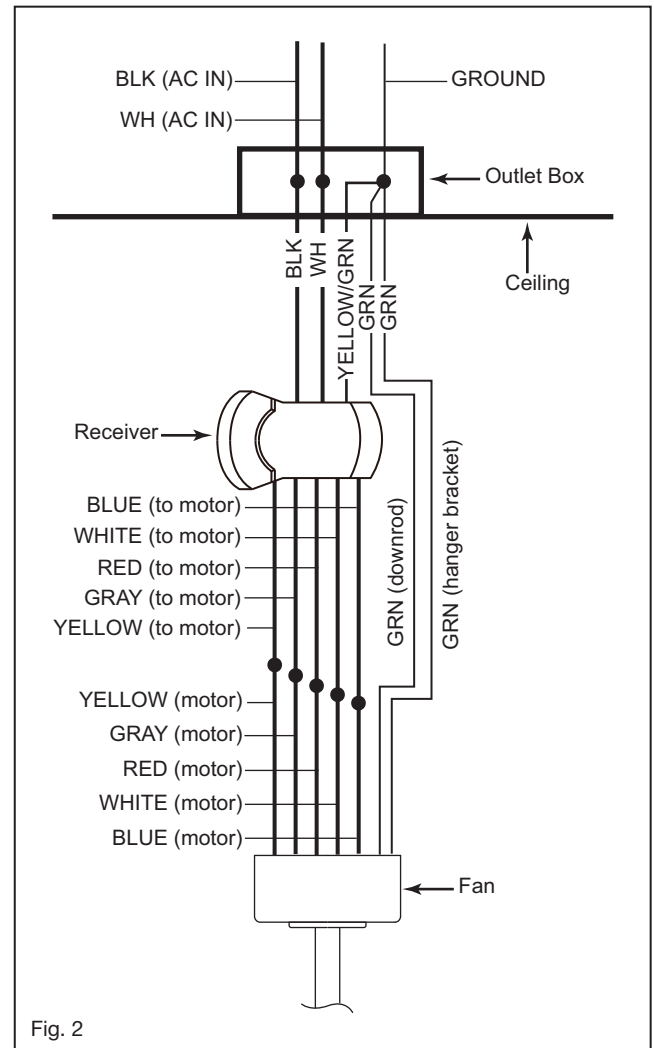
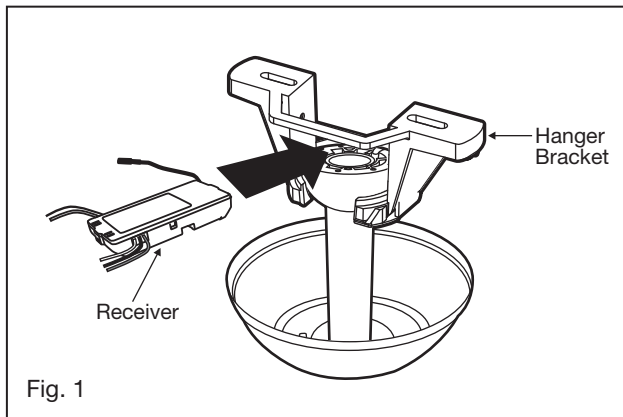
ELECTRICAL CONNECTIONS

NOTE: One fan per power circuit.

REMEMBER -Turn off the power! **NOTE** - Control must be installed within 30 feet of fan.

Use the wire nuts supplied with your fan when making connections. Secure the connectors with electrical tape and make sure there are no loose connections or wire strands.

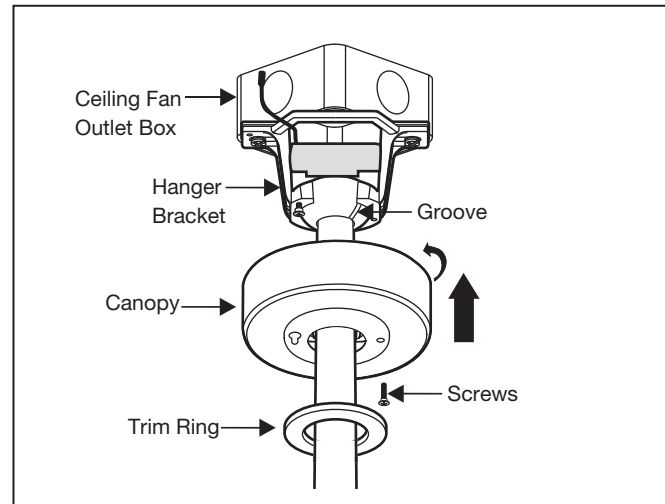
1. Insert the receiver into the ceiling mounting bracket with the flat side of the receiver facing the ceiling. (Fig. 1) For best performance, make sure the Black Antenna, on the end of the receiver, remains extended and not tangled with any of the electrical wires.
2. Make wire connections from the fan to the receiver unit. For this step use the bundle of 5 wires on the receiver.
 - Connect the YELLOW fan wire to the YELLOW receiver wire.
 - Connect the GRAY fan wire to the GRAY receiver wire.
 - Connect the RED fan neutral wire to the RED receiver neutral wire.
 - Connect the WHITE fan neutral wire to the WHITE receiver neutral wire.
 - Connect the BLUE fan neutral wire to the BLUE receiver neutral wire.
3. Connect the wiring from the ceiling to the receiver unit. (Use the 2 wire bundle on the receiver.) Secure with supplied wire nuts.
 - Connect the BLACK building supply wire to the BLACK receiver wire.
 - Connect the WHITE receiver neutral wire to the WHITE building neutral wire.
 - Connect the COPPER building ground wire to the YELLOW/GREEN fan ground wire. Also connect the two GREEN wires (from fan) to building ground wire.



FINISHING THE INSTALLATION

- 1 Tuck connections neatly into ceiling outlet box.
- 2 Slide the canopy up to mounting bracket and place the key hole on the trim ring the screw on the mounting bracket, turn canopy until it locks in place at the narrow section of the key holes.
- 3 Align the circular hole on canopy with the remaining hole on the mounting bracket, secure by tightening the two set screws.

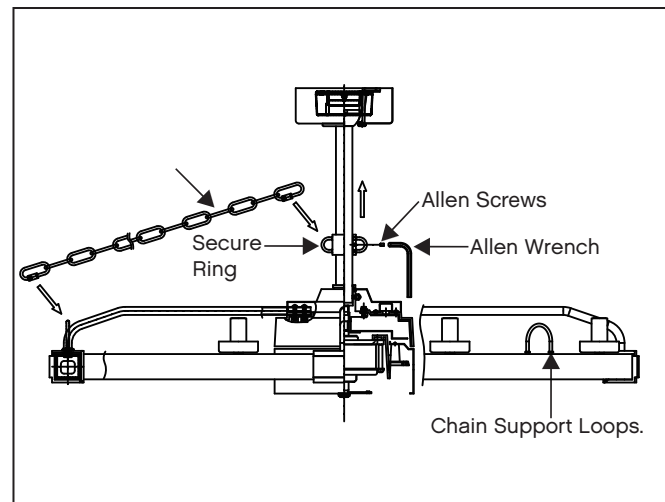
NOTE: Adjust the canopy screws as necessary until the canopy and trim ring are snug.



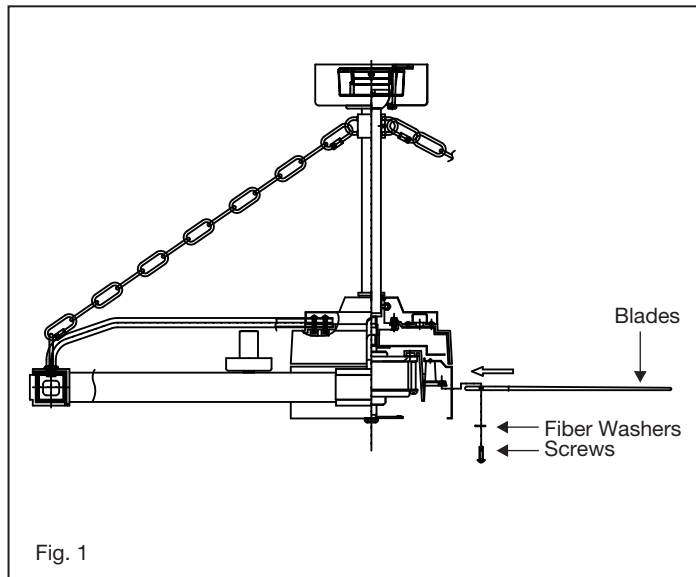
WARNING:

Make sure the hook on the hanging bracket properly sits in the groove in the hanger ball before attaching the canopy to the bracket by turning the housing until it drops into place.

- 4 Loosen the buckles at one end of the chain and attach to the chain support loops of the fixture.
- 5 Loosen the remaining buckles of the chain ends and install the chain to the C-Ring on the fan downrod. Slide the C-Ring up the downrod until the chains are taunt. Secure the C-Ring into position on the downrod by securing the two set screws.



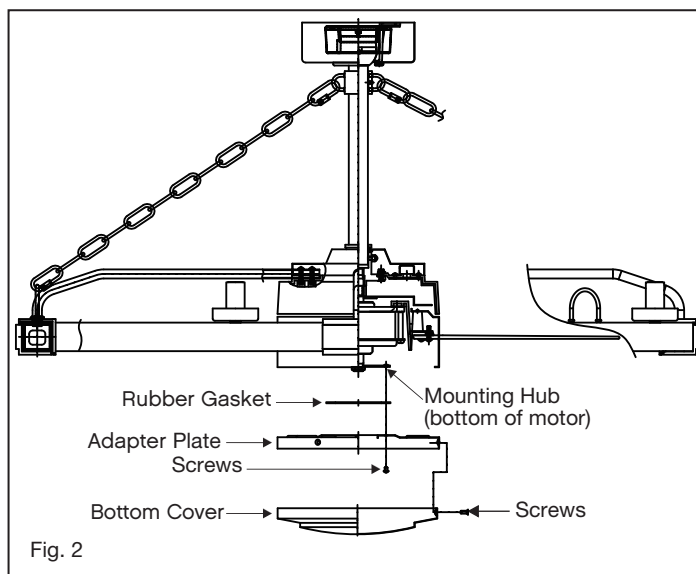
INSTALLING THE BLADES



- 1 Insert the blade through the slot on the housing. Align the holes on the blade and the fan motor assembly and secure with the fiber washers and blade attachment screws.
- 2 Make sure screws are **TIGHT!** Loose motor screws can contribute to unnecessary hum during operation.
- 3 Repeat procedure for remaining blades.

NOTE:
Cordless power screwdrivers are **NOT** recommended, as they usually strip the heads of the screws and usually will not fully compress the lock washers on the motor screws. Use a large flat blade screwdriver for final tightening to fully compress the washers. This will help ensure proper alignment of the blades and noise-free, wobble-free running.

INSTALLING THE MOUNTING PLATE



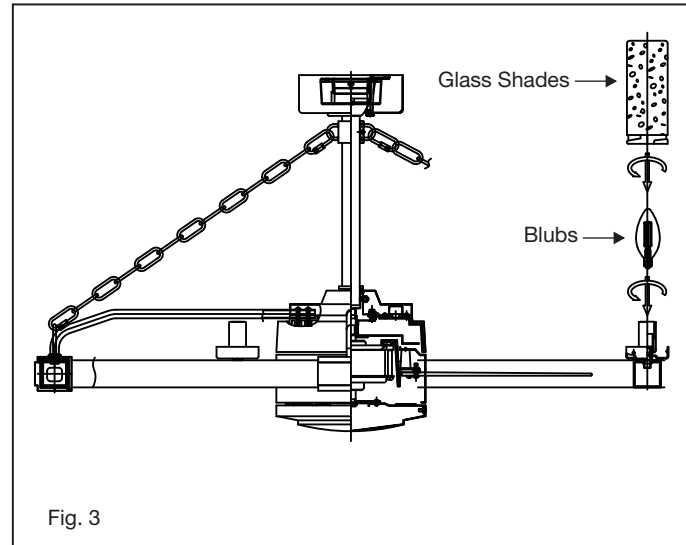
NOTE: Be sure the power is off before installing.

- 1 Remove one of the three screws on the mounting hub located on the fan motor. Loosen the other 2 screws. (Do not remove) (Fig. 2)
- 2 Place the key holes on the rubber gasket and adapter plate over the 2 screws previously loosened, turn the adapter plate until it locks in place at the narrow section of the key holes. Secure by tightening the 2 screws previously loosened and the one previously removed.
- 3 Raise the bottom cover against the adapter plate with 2 screws until snug.
- 4 Restore power is ready for operation.

INSTALLING THE LED BULBS AND GLASS SHADES

NOTE: Be sure the power is off before installing.

- 1 Install 8 x 4-W LED bulbs (included).
- 2 Raise the glass shade against the light holder and turn clockwise until snug, DO NOT OVERTIGHTEN.
- 3 Restore power is ready for operation.

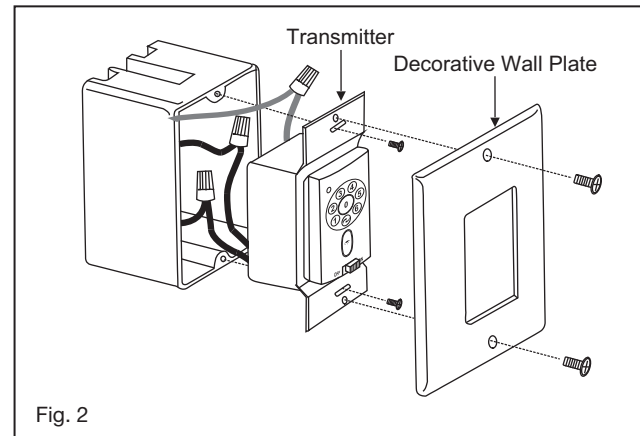
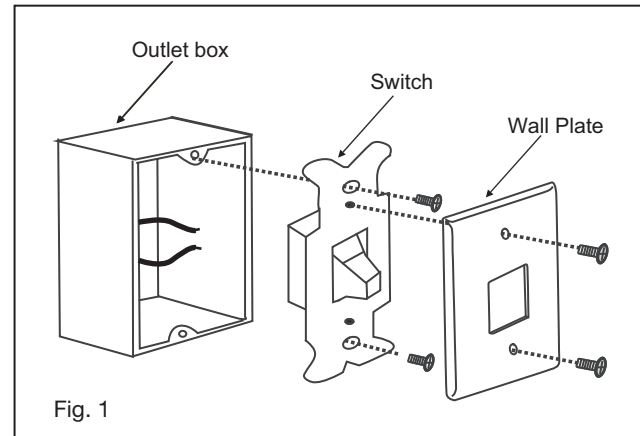


INSTALLING THE WALL CONTROL

REMEMBER to turn off the power before you begin.

NOTE - Control must be installed within 30 feet of fan.





- 1 Remove the existing wall plate and the old switch from the wall outlet box. (Fig. 1)
- 2 Connect the wiring from the wall switch receptacle to wall transmitter unit
 - Connect one BLACK wire from the wall to one BLACK wire (labeled "TO FAN") from the wall transmitter.
 - Connect the other BLACK wire (labeled "TO POWER SUPPLY") from the transmitter to the remaining BLACK wire from the wall (A/C supply source).
- 3 Connect the green ground wire from the switch to the ground wire on the wall outlet box.
- 4 Install the wall transmitter on the existing wall outlet box using the screws provided. Attached the wall plate with the mounting screws to finish the installation. (Fig. 2)



OPERATION

Your DC brushless motor is equipped with an automatically learned type remote control. There is no frequency switches on the receiver or transmitter. The fan can start to use once the pairing process is done.

Remove the panel from the transmitter and then install one 23A/12V battery (included). To prevent damage to transmitter, remove the battery if not use for long periods of time (Fig. 16).

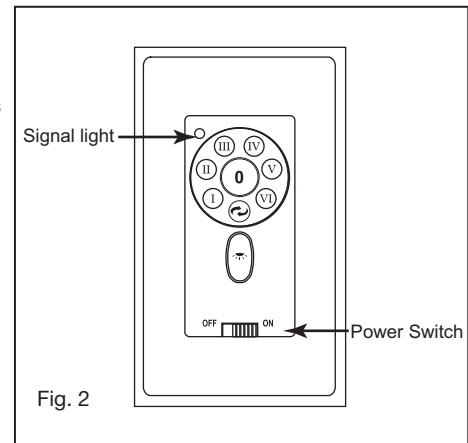
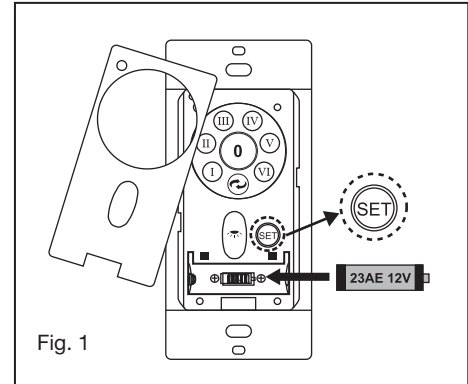
- 1  I, II, III, IV, V and VI button:
These six buttons are used to set the fan speed as follows:
I = minimum speed
II = low speed
III = medium low speed
IV = medium speed
V = medium high speed
VI = high speed
- 2  ■ button:
This button turns the fan off.
- 3  Reverse button:
This button is to control fan direction. This button must be pressed while fan is running (suggested speed IV)
- 4  Light button:
This button is to control optional light. Switch the "D" and "ON" dip switch on the front of transmitter to decide the light in "ON/OFF" or "Dimmable" condition.

- 5 "SET" code setting button:
Follow the below steps to use the set button. (Fig. 1)
- 6 ON - OFF Slide button: Power switch. (Fig. 2)
- 7 Signal light (Fig. 2)

Pairing Process

With the fan's power off, restore power to the fan. Press and hold "SET" button for about 5 seconds and release. If optional light kit is installed, the light kit will flash twice and the signal light on the wall control will come on when the button is pressed. The fan has completed the pairing process with the wall control and is ready for use.

NOTE: A single fan can be controlled with as many as 3 wall controls in one room. Every control will need to repeat the pairing process based on instructions above and all controls must be within 30 feet of the fan.



CARE AND CLEANING

Periodically it may be necessary to re-tighten blade to blade arm screws or blade arm to motor screws to prevent clicking or humming sound during operation. This is especially true in climates with broad temperature and humidity ranges.

When dusting the blades, you must support the blade to prevent bending - no pressure should be applied to the blades. If you experience any flaws in the operation of your fan, please check the following points.

TROUBLESHOOTING

CAUTION:

Switch off power supply before carrying out any of these checks.

PROBLEM

SOLUTION

Fan Will
Not Start

1. Check main and branch circuit breakers and/or fuses.
2. Check line wire connections to fan housing wiring. Make sure forward/reverse switch is set to one or the other position, not stuck in between.
3. Check to make sure the dip switches from the transmitter and receiver are set to the same frequency.

Fan Sounds
Noisy

1. Check and make sure that all screws in motor housing are snug (but not over tight).
2. Check that the screws securing blade arms to the motor are tight.
3. Check that wire connectors in switch housing are not rattling against each other or the interior wall of the switch housing.
4. Check that all glassware is finger tight and that bulb(s) are well held in the sockets, if a light kit is used.
5. Check that the canopy is firmly attached to hanging bracket and not vibrating against ceiling.

Fan Wobbles

1. Check that all blades are firmly screwed into blade arms. Check that all blade arms are firmly secure to the motor.
2. Check to make sure that light kit (if present) is firmly attached to switch housing and that all glassware and shades are fastened properly. Wobble can also result from even the smallest deviations in distance from blade tip to blade tip.
3. If measurements from blade tip to blade tip are not equal, loosen screws connecting blade to blade arm one at a time and adjust blade(s) so that distances are equal.
4. Interchanging adjacent blades may redistribute mass and result in smoother operation. Blade arms can be bent slightly to restore same pitch to all blades if a blade is different than the other blades when viewed edge on.
5. Most wobble can be traced to a loose electrical box or mounting bracket. Make sure these are tight and the ball is completely seated in the bracket.
6. Use the enclosed Blade Balancing Kit if the blade wobble is still noticeable.

WARNING: To reduce the risk of personal injury, do not bend the blade arm while installing, balancing the blades, or cleaning the fan. Do not insert foreign objects between rotating fan blades.

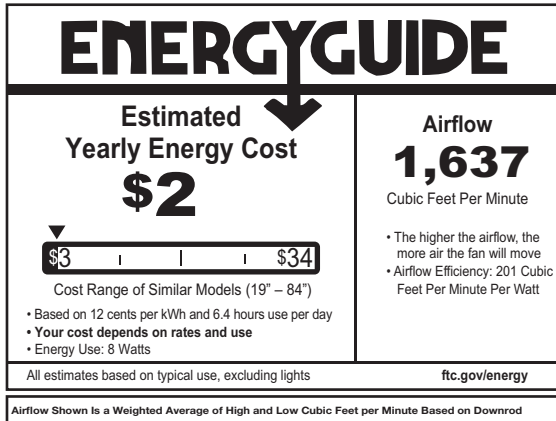
Remote Control
Malfunction.

1. Do not connect the fan with a wall mounted variable speed control(s).
2. Make sure the dip switches are set correctly.

ENERGY GUIDE

SPECIFICATIONS

AVERAGE PERFORMANCE AND ENERGY INFORMATION



PERFORMANCE SPECIFICATIONS	STANDARD	
	HIGH SPEED	LOW SPEED
Airflow (CFM)	2432	735
Energy Use (Watts)	10.7	2.1
Airflow Efficiency (CFM/W)	228	352
Energy Costs (Yearly)	\$2	\$1
Amps	0.0	0.0
RPMs	0	0

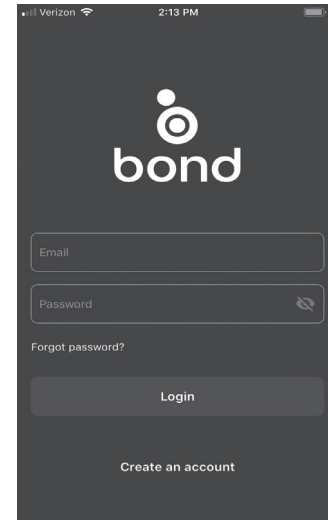
SMART BY BOND

HINKLEY SMART FAN OPTIONS (SOLD SEPARATELY):

In addition to the included wall control, you can control your Hinkley fan through the Bond app using the smart technology accessory controls SOLD SEPARATELY.

- To use the app, download it for free from the App Store or Google Play.
- Open the app to create your account. You can also login with your Facebook or Google account.
- Next, set up a WiFi connection. You will need the SSID and WiFi password for the network you want to connect to.
- You will receive a prompt to choose the finish of your fan and name your fan device.
- The app will walk you through the main screen and show you how to change fan speeds, dim the light, set timers or utilize breeze mode.

NOTE: Maximum of 2 fans can operate on a circuit through the wall control. Maximum of 12 fans can operate on a circuit through an on/off switch or breaker when utilizing the app for the fan control (without the wall control in the circuit).



<https://bondhome.io/app>

HINKLEY IS PROUD TO PROVIDE YOU WITH CEILING FAN PRODUCTS THAT ENHANCE YOUR SPACE WITH COMFORT, PURPOSE AND STYLE. AS A FAMILY COMPANY, WE ARE COMMITTED TO DESIGN, PERFORMANCE AND QUALITY, AND WHAT'S IMPORTANT TO YOU IS PARAMOUNT TO US.

FOR A COMPLETE ASSORTMENT OF OUR PRODUCTS AND SOURCE BOOKS, VISIT HINKLEY.COM.

HINKLEY

GLOBAL HEADQUARTERS

33000 Pin Oak Parkway | Avon Lake, Ohio 44012

T (440) 653 5500 | F (440) 653 5555 | hinkley.com

HINKLEY

36" SAWYER™

VENTILADOR LED INTERIOR /
EXTERIOR



WET



LED



MANUAL DE INSTRUCCIONES
PARA VENTILADORES DE TECHO

QUEREMOS QUE AMES A TU NUEVO VENTILADOR

ASÍ QUE ESTAMOS AQUÍ SI TIENE UNA PREGUNTA,
NECESITA AYUDA O QUIERE HABLAR SOBRE NUESTROS
PRODUCTOS. ENVÍE SUGERENCIAS NUESTRO CAMINO
TAMBIÉN: SIEMPRE ESTAMOS BUSCANDO HACER QUE
SU EXPERIENCIA CON HINKLEY SEA POSITIVA.

> **SERVICE@HINKLEY.COM**

> **800.HINKLEY**

> **VAMOS A ESE ESTILO**
HINKLEY@HINKLEY #HINKLEYSTYLE

Este manual contiene instrucciones completas para la
instalación y operación de este ventilador. Ha sido
diseñado para hacer que el proceso de instalación sea
lo más fácil posible. Si no está familiarizado o no se
siente cómodo con el cableado, comuníquese con un
electricista calificado. Si necesita asistencia adicional o
tiene alguna pregunta, comuníquese con nosotros.

Para obtener información sobre la garantía, visite hinkley.com.

TABLA DE CONTENIDO

02	INSTRUCCIONES GENERALES DE INSTALACIÓN Y FUNCIONAMIENTO	10	INSTALACIÓN DE LA PLACA DE MONTAJE
03	PRECAUCIONES IMPORTANTES DE SEGURIDAD	11	INSTALACIÓN DE LAS BOMBILLAS LED Y LAS CORTINAS DE VIDRIO
03	HERRAMIENTAS Y MATERIALES REQUERIDOS	12	INSTALACIÓN DEL CONTROL DE PARED
04	DESEMBALAJE SU VENTILADOR	13	OPERACIÓN
05	PREPARACIÓN	14	CUIDADO Y LIMPIEZA
05	INSTALACIÓN DEL SOPORTE COLGANTE	14	SOLUCIÓN DE PROBLEMAS
06	COLGANDO EL VENTILADOR	15	GUÍA ENERGÉTICA
08	CONEXIONES ELÉCTRICAS	15	ESPECIFICACIONES
09	TERMINANDO LA INSTALACIÓN	15	INTELIGENTE POR BOND
10	INSTALACIÓN DE LAS CUCHILLAS		

ADVERTENCIA:

Lea y siga estas instrucciones cuidadosamente y tenga en cuenta todas las advertencias que se muestran a lo largo.

INSTRUCCIONES GENERALES DE INSTALACIÓN Y OPERACIÓN

- 1 Para garantizar el éxito de la instalación, asegúrese de leer las instrucciones y revisar los diagramas a fondo antes de comenzar.
- 2 Para evitar posibles descargas eléctricas, asegúrese de que la electricidad esté apagada en la caja de alimentación principal antes de realizar el cableado. Todas las conexiones eléctricas deben realizarse de acuerdo con los códigos, ordenanzas locales y / o el Código Eléctrico Nacional. Si no está familiarizado con los métodos de instalación de cableado y productos eléctricos, asegure los servicios de un electricista calificado y con licencia, así como de alguien que pueda verificar la resistencia de los miembros del techo de apoyo y realizar las instalaciones y conexiones adecuadas.
- 3 **ADVERTENCIA:** Para reducir el riesgo de incendio, descarga eléctrica u otras lesiones personales, monte el ventilador solo en una caja de salida o en un sistema de soporte marcado como aceptable para un soporte de ventilador de 35 lb (15.9 kg) o menos y use los tornillos de montaje provistos con la caja de salida. La mayoría de las cajas de salida comúnmente utilizadas para el soporte de accesorios de iluminación no son aceptables para el soporte del ventilador y pueden necesitar ser reemplazadas. Consulte a un electricista calificado si tiene dudas.
- 4 Asegúrese de que su sitio de instalación no permita que las aspas del ventilador giratorio entren en contacto con ningún objeto. Las cuchillas deben estar a un mínimo de 7 pies del piso.
- 5 Las cuchillas deben colocarse después de que la carcasa del motor esté colgada y colocada. La carcasa del motor del ventilador debe mantenerse en la caja hasta que esté lista para ser instalada para proteger su acabado. Si está instalando más de un ventilador de techo, asegúrese de no mezclar los conjuntos de aspas del ventilador, ya que cada aspa forma parte de un conjunto ponderado.
- 6 Después de hacer las conexiones eléctricas, los conductores empalmados deben girarse hacia arriba y empujarse con cuidado hacia la caja de salida. Los cables deben separarse con el conductor común y el conductor de tierra en un lado de la caja de salida, y el Cables "CALIENTES" en el otro lado.
- 7 Los diagramas eléctricos son solo de referencia. Los kits de luces que no están empacados con el ventilador deben estar en la lista UL y deben instalarse según las instrucciones de instalación del kit de luces.
- 8 Una vez que el ventilador esté completamente instalado, verifique que todas las conexiones estén seguras para evitar que el ventilador se caiga y / o cause daños o lesiones.
- 9 Se puede hacer que el ventilador funcione inmediatamente después de la instalación: los cojinetes están adecuadamente cargados de grasa para que, en condiciones normales, no sea necesaria una mayor lubricación durante la vida útil del ventilador.
- 10 Para operar la función de retroceso en este ventilador, presione el botón de retroceso mientras el ventilador está funcionando.

PRECAUCIONES IMPORTANTES DE SEGURIDAD

ADVERTENCIAS:

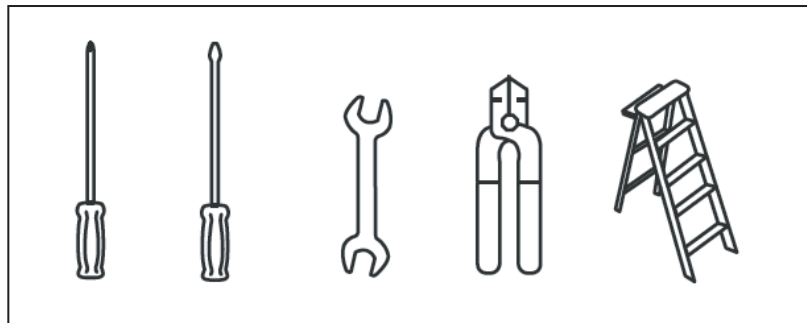
- Desconecte la energía quitando el fusible o apagando el interruptor de circuito antes de instalar el ventilador y / o la iluminación opcional.
- Apoyo directo desde la estructura del edificio.
- Para reducir el riesgo de incendio, descarga eléctrica o lesiones personales, monte en la caja de salida marcada como "aceptable para soporte del ventilador" y use los tornillos de montaje provistos con la caja de salida. La mayoría de las cajas de salida comúnmente utilizadas para el soporte de accesorios de iluminación no son aceptables para el soporte del ventilador y pueden necesitar ser reemplazadas. Consulte a un electricista calificado si tiene dudas.
- No utilice un atenuador de luz incandescente. No utilice este ventilador con ningún dispositivo de control de velocidad del ventilador de tipo transformador. To reduce the risk of personal injury, do not bend the blade arms when installing them, balancing the blades or cleaning the fan.
- No inserte ningún objeto (s) entre las aspas giratorias del ventilador.

NOTA:

Las precauciones, salvaguardas e instrucciones importantes que aparecen en este manual no están destinadas a cubrir todas las condiciones y situaciones posibles que puedan ocurrir. Debe entenderse que el sentido común, la precaución y el cuidado son factores que no se pueden incorporar a este producto. Estos factores deben ser proporcionados por la (s) persona (s) que instalan, cuidan y operan la unidad.

HERRAMIENTAS Y MATERIALES REQUERIDOS

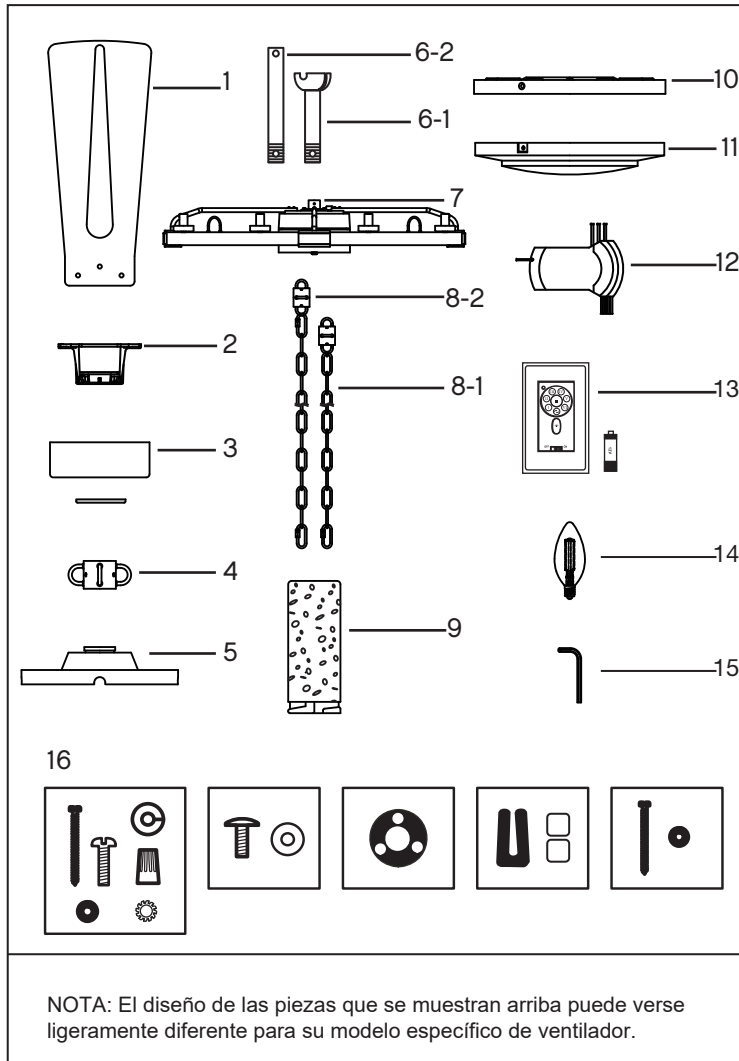
- DESTORNILLADOR PHILLIPS
- DESTORNILLADOR PLANO
- LLAVE O ALICATES
- CORTADOR DE CABLES
- ESCALERA DE TIJERA
- SUMINISTROS DE CABLEADO SEGÚN REQUERIDO POR CÓDIGO ELÉCTRICO



DESEMBALAJE SU VENTILADOR

DESEMBALA TU VENTILADOR Y CONSULTA EL CONTENIDO

- No deseche la caja. Si alguna vez es necesario reemplazar o reparar la garantía, el ventilador debe devolverse en su embalaje original. Retire todas las piezas y hardware. No coloque la carcasa del motor de lado, ya que la carcasa decorativa podría moverse, doblarse o dañarse.
- Examine todas las partes. Deberías tener lo siguiente:



CONTENIDO DEL PAQUETE INDY

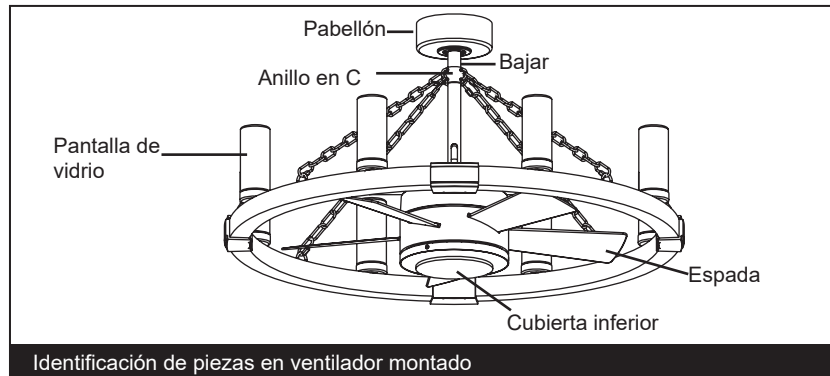
1	Juego de 5 cuchillas	BL902928Fxx
2	Soporte colgante	CA9000752Fxx
3	Dosel de techo y anillo de moldura	
4	Anillo en C	
5	Cubierta del yugo	YC902928Fxx
6-1	Conjunto de varilla de 12 "	DR94012Fxx
6-2	Varilla de 24 "	990024Fxx
7	Carcasa del ventilador con motor	x
8-1	Juego de cadenas de 30 cm con acopladores	CH902912Fxx
8-2	Juego de cadenas de 24 "con acopladores	CH902924Fxx
9	Cortinas de vidrio	GL902928SDY
10	Placa adaptadora	LW902928Fxx
11	Cubierta inferior	
12	Receptor incl. 5 tuercas de alambre	CN902928
13	Control de pared con placa de pared de batería de 12 v, placa frontal, 2 juegos de tornillos de montaje y tornillos de máquina	980013FAS
14	Bombillas LED 4W	E901256LED LMP
15	Llave Allen	x
16	Bolsa de hardware	
	Hardware de montaje del soporte (tornillos para madera, arandelas de seguridad, arandelas en estrella, arandelas planas, tuercas para cables), tornillos de la cuchilla al motor con arandelas de goma, Junta de goma, Kit de equilibrio, Hardware del cable de seguridad (tornillo para madera, arandela plana)	MH902928Fxx
	XX=ACABADO VENTILADOR	

PREPARACIÓN

PREPARACIÓN:

Verifique que tenga todas las piezas antes de comenzar la instalación. Revise el inserto de espuma de cerca para ver si faltan piezas. Saque el motor del embalaje. Para evitar daños en el acabado, monte el motor sobre una superficie suave y acolchada o utilice el inserto de espuma original en la caja del motor.

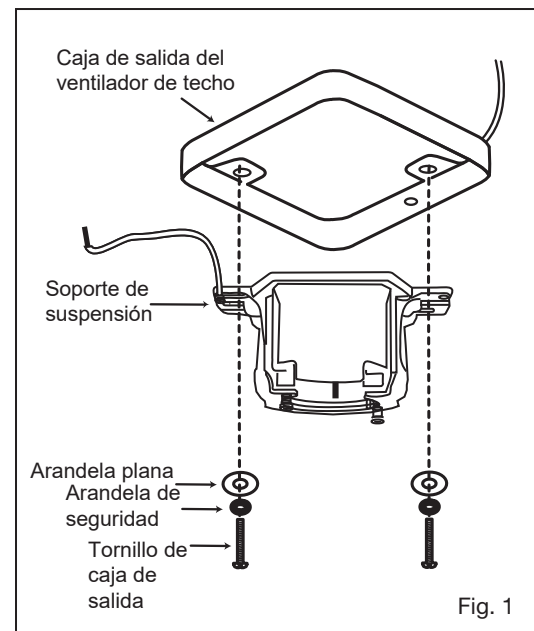
NO COLOQUE LA CARCASA DEL MOTOR SOBRE SU LADO YA QUE ESTO PODRÍA RESULTAR EN EL DESPLAZAMIENTO DEL MOTOR EN EL CUBIERTO DECORATIVO.



INSTALACIÓN DEL SOPORTE COLGANTE

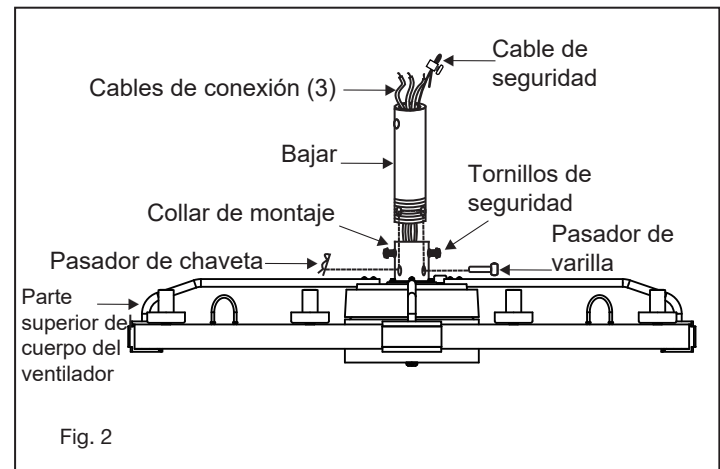
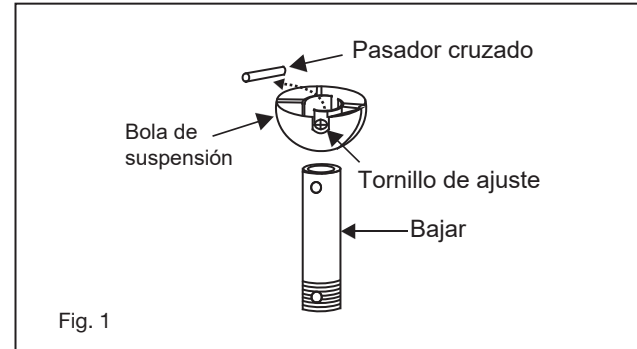
PRECAUCIÓN: Para evitar posibles descargas eléctricas, asegúrese de que la electricidad esté apagada en la caja de energía principal antes de realizar el cableado. Todo el cableado debe estar de acuerdo con los códigos eléctricos nacionales y locales y el ventilador de techo debe estar conectado a tierra como medida de precaución contra posibles descargas eléctricas.

- 1 Ubique la viga del techo donde se instalará el ventilador, asegurándose de que la ubicación coincida con los requisitos de la sección de espacio libre mínimo de esta guía. Las vigas de madera deben ser sólidas y de tamaño adecuado para soportar 35 libras (vea la página 2, elementos 3 y 4).
- 2 Si aún no está presente, monte una caja de salida listada por UL marcada como "adecuada para soporte de ventilador" siguiendo las instrucciones proporcionadas con la caja de salida. La caja de salida debe poder soportar un mínimo de 35 libras.
- 3 Retire la capota del soporte de suspensión. Quite el anillo de ajuste de bloqueo giratorio girándolo en sentido antihorario. Quite el tornillo de la cubierta que no tiene una ranura para llave en la cubierta. Afloje el tornillo con la ranura de la llave y retire la cubierta.
- 4 Fije el soporte para colgar a la caja de salida con los tornillos que se proporcionan con la caja de salida.



COLGANDO EL VENTILADOR

- 1 Retire la bola de la varilla aflojando el tornillo de fijación en el costado de la bola. Deslice la bola hacia abajo y retire el pasador de bola; quitar la bola. (Figura 1)
- 2 Sujete con cuidado el cuerpo del ventilador (motor) en su empaque de espuma de poliestireno con el collar de montaje (por donde salen los cables) hacia arriba.
- 3 Afloje los dos tornillos de seguridad y retire el pasador de la varilla y el clip de retención del acoplamiento en la parte superior del conjunto del motor. (Figura 2)
- 4 Pase con cuidado los cables eléctricos y el cable de seguridad del ventilador a través de la varilla. Enrosque la varilla en el acoplador hasta que los orificios se alineen. Inserte el pasador de la varilla a través de los orificios en el collar de montaje y la varilla; Enganche el pasador de chaveta a través del pequeño orificio en el extremo del pasador de la varilla para mantener la varilla en su lugar.
- 5 Apriete los tornillos de seguridad contra la varilla con un destornillador grande de hoja plana para asegurar un ajuste firme contra la varilla. Apriete las tuercas contra el collar de montaje.

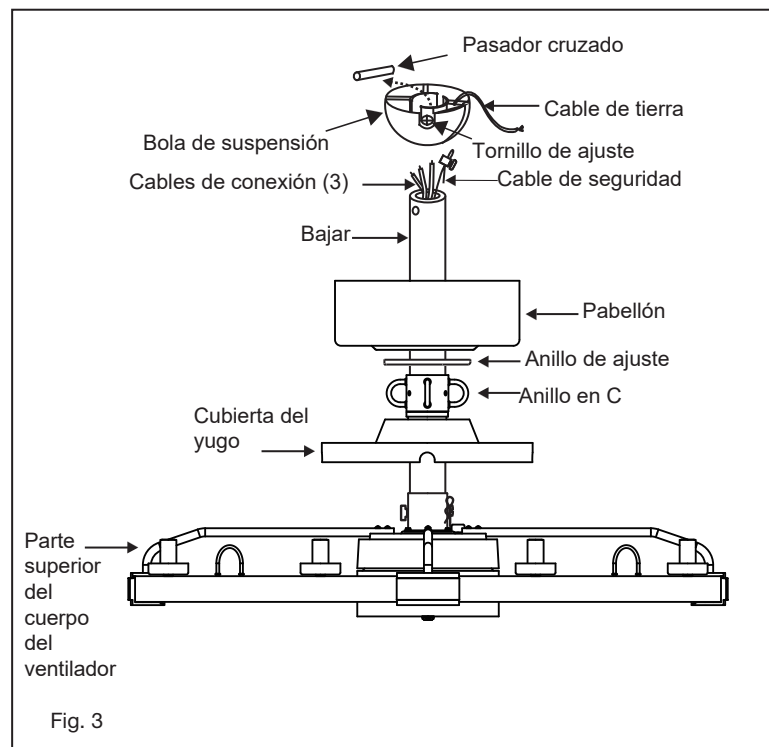


- 1 Deslice la cubierta del yugo, el anillo en C, el anillo de ajuste y el dosel sobre la varilla. (Fig. 3)
- 2 Deslice la bola de suspensión en la varilla, inserte el pasador transversal a través de la varilla y apriete. Apriete el tornillo de fijación.

NOTA:

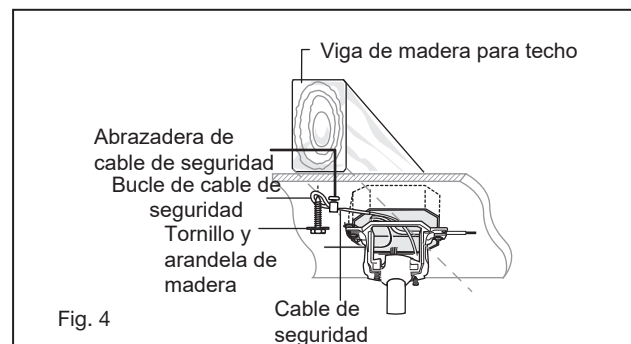
El ventilador tiene 6 pies de cable de conexión en caso de que esté usando una varilla de extensión larga.

- 3 Levante la bola / varilla / ventilador en la abertura del soporte de suspensión.
- 4 NOTA: La pestaña opuesta a la abertura del soporte de suspensión debe encajar en la ranura de la bola. (Figura 4)
Realice las conexiones de cables (consulte la sección titulada "Conexiones eléctricas").
- 5 Deslice el dosel hacia arriba y fíjelo al soporte de suspensión con los 4 tornillos incluidos.



INSTALACIÓN DE SOPORTE DE CABLE DE SEGURIDAD

Coloque el tornillo para madera y la arandela plana en la viga del techo como se muestra (no apriete completamente). Deslice la abrazadera del cable en el cable de seguridad del ventilador. Enrolle el cable de seguridad alrededor del tornillo para madera que acaba de conectar a la viga del techo. Introduzca el extremo del cable en la abrazadera y pase la mayor cantidad de cable posible. Apriete firmemente el tornillo de la abrazadera. Corte el cable sobrante.



CONEXIONES ELÉCTRICAS

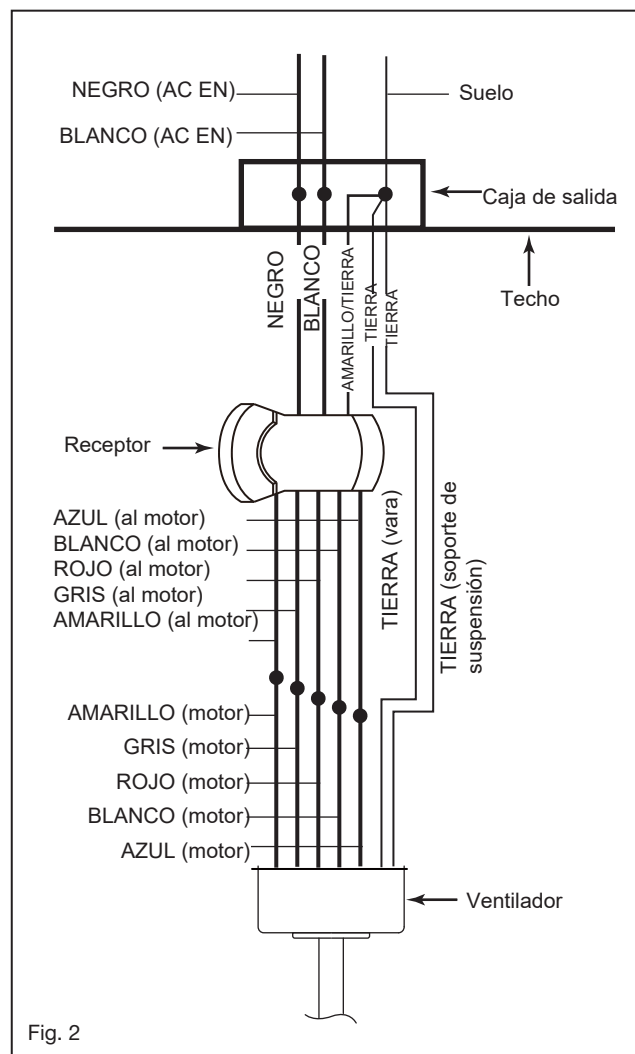
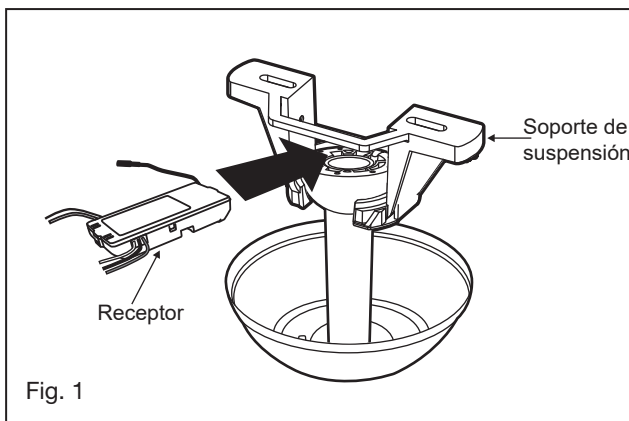
NOTA: Un ventilador por circuito de potencia

RECUERDA -¡Apaga la energía! NOTA - El control debe instalarse a menos de 30 pies del ventilador.

Utilice las tuercas para cables suministradas con su ventilador al realizar las conexiones. Asegure los conectores con cinta aislante y asegúrese de que no haya conexiones sueltas o hilos de alambre.

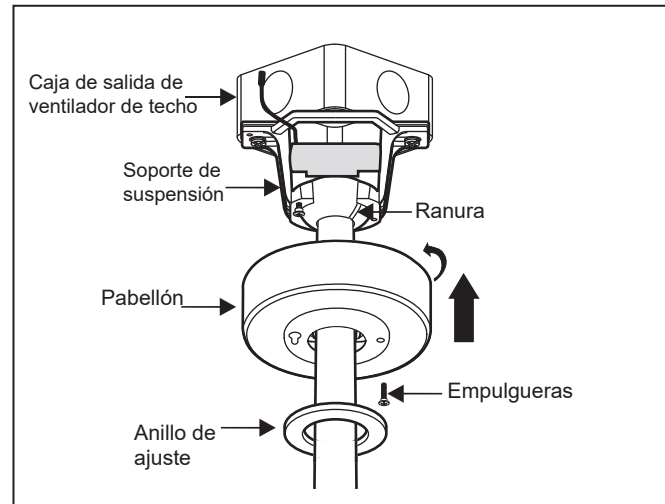
Inserte el receptor en la parte superior de la carcasa del ventilador. (Fig.

- 1) Para un mejor rendimiento, asegúrese de que la Antena Negra, en el extremo del receptor, permanezca extendida y sin enredarse con ninguno de los cables eléctricos.
- 2) Haga conexiones de cables desde el ventilador a la unidad receptora. Para esta utilice el paquete de 5 cables en el receptor. (Figura 2)
 - Conecte el cable de ventilador AMARILLO al cable del receptor AMARILLO.
 - Conecte el cable del ventilador GRIS al cable del receptor GRIS.
 - Conecte el cable neutral del ventilador ROJO al cable neutral del receptor ROJO
 - Conecte el cable neutro del ventilador BLANCO al cable neutro del receptor BLANCO.
 - Conecte el cable neutral del ventilador AZUL al cable neutro del receptor AZUL.
- 3) Conecte el cableado desde el techo a la unidad receptora. (Use el paquete de 2 cables en el receptor). Asegure con el cable suministrado
 - Conecte el cable de suministro de construcción NEGRO al cable del receptor NEGRO.
 - Conecte el cable neutro del receptor BLANCO al cable neutro del edificio BLANCO
 - Conecte el cable de tierra del edificio de COBRE al cable de tierra del ventilador AMARILLO / VERDE.
 - También conecte los dos cables VERDES (del ventilador) al cable de tierra del edificio.



TERMINANDO LA INSTALACIÓN

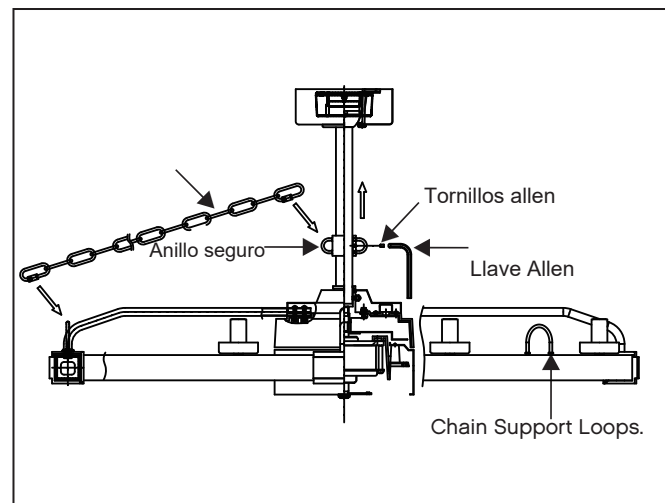
- 1 Meta las conexiones cuidadosamente en la caja de salida del techo.
- 2 Deslice el dosel hasta el soporte de montaje y coloque el orificio de la cerradura en el anillo de la moldura, el tornillo del soporte de montaje, gire el dosel hasta que encaje en su lugar en la sección estrecha de los orificios de la cerradura.
- 3 Alinee el orificio circular en la cubierta con el orificio restante en el soporte de montaje, asegure apretando los dos tornillos de fijación.
NOTA: Ajuste los tornillos de la capota según sea necesario hasta que la capota y el anillo de moldura estén ajustados.



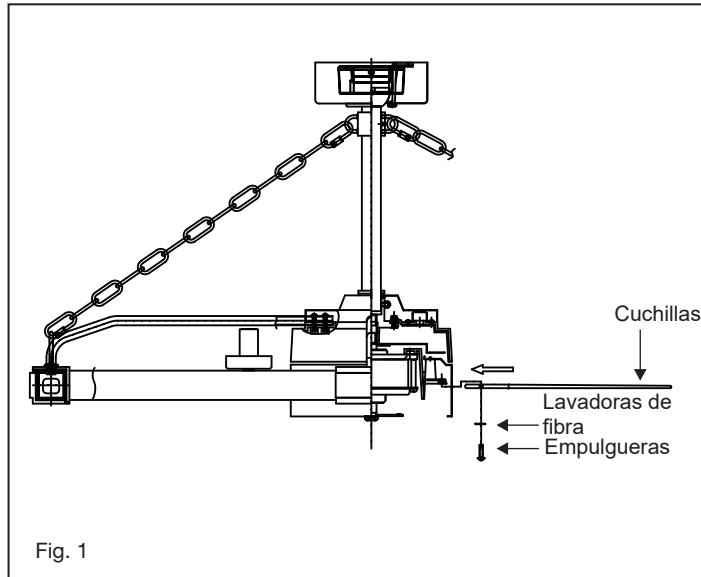
ADVERTENCIA:

Asegúrese de que el gancho del soporte para colgar se asiente correctamente en la ranura de la bola de suspensión antes de sujetar el dosel al soporte girando la carcasa hasta que encaje en su lugar.

- 4 Afloje las hebillas en un extremo de la cadena y fíjelas a los lazos de soporte de la cadena del artefacto. Afloje las hebillas restantes de los extremos de la cadena e instale la cadena en el anillo en C en la varilla del ventilador. Deslice el
- 5 C-Ring hacia arriba la varilla hasta que las cadenas se burlen. Asegure el anillo en C en su posición en la varilla fijando los dos tornillos de fijación.



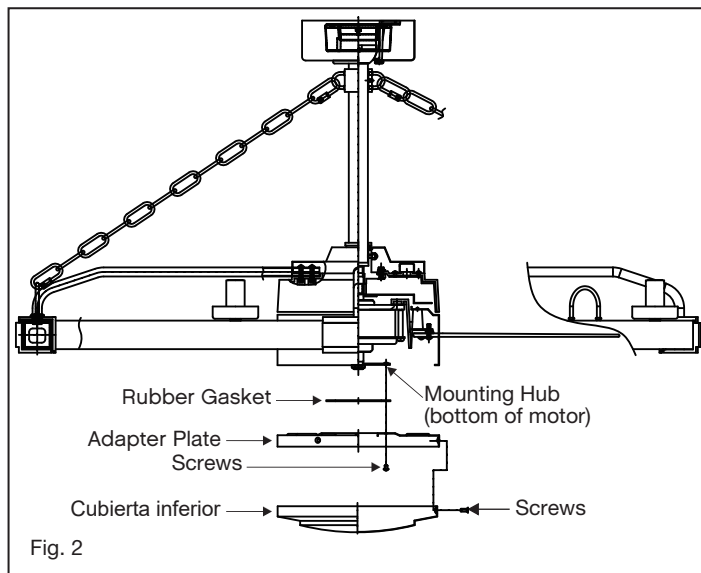
INSTALACIÓN DE LAS CUCHILLAS



- 1 Inserte la cuchilla a través de la ranura de la carcasa. Alinee los orificios de la paleta y el conjunto del motor del ventilador y asegúrelos con las arandelas de fibra y los tornillos de fijación de las paletas.
- 2 ¡Asegúrese de que los tornillos estén APRETADOS! Los tornillos del motor flojos pueden contribuir a un zumbido innecesario durante el funcionamiento.
- 3 Repita el procedimiento para las hojas restantes..

NOTA: NO se recomiendan los destornilladores eléctricos inalámbricos, ya que generalmente pelan las cabezas de los tornillos y, por lo general, no comprimen completamente las arandelas de seguridad de los tornillos del motor. Utilice un destornillador grande de hoja plana para un ajuste final y comprimir completamente las arandelas. Esto ayudará a garantizar la alineación adecuada de las palas y un funcionamiento sin ruidos ni oscilaciones.

INSTALACIÓN DE LA PLACA DE MONTAJE

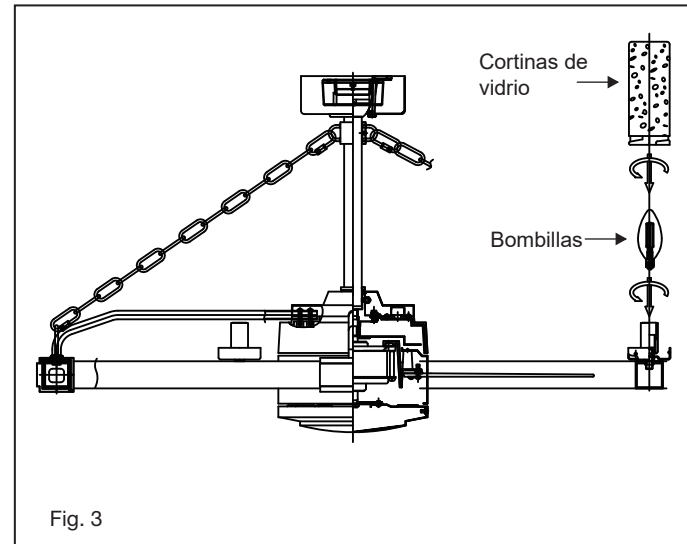


NOTA: Asegúrese de que la energía esté apagada antes de instalar.

- 1 Quite uno de los tres tornillos del eje de montaje ubicado en el motor del ventilador. Afloje los otros 2 tornillos. (No quitar) (Fig.2)
- 2 Coloque los orificios en la junta de goma y la placa adaptadora sobre los 2 tornillos que aflojó anteriormente, gire la placa adaptadora hasta que encaje en su lugar en la sección estrecha de los orificios. Asegure apretando los 2 tornillos previamente aflojados y el que previamente quitó.
- 3 Levante la cubierta inferior contra la placa adaptadora con 2 tornillos hasta que quede ajustada.
- 4 Restaurar la energía está lista para funcionar.

INSTALACIÓN DE LAS BOMBILLAS LED Y LAS CORTINAS DE VIDRIO

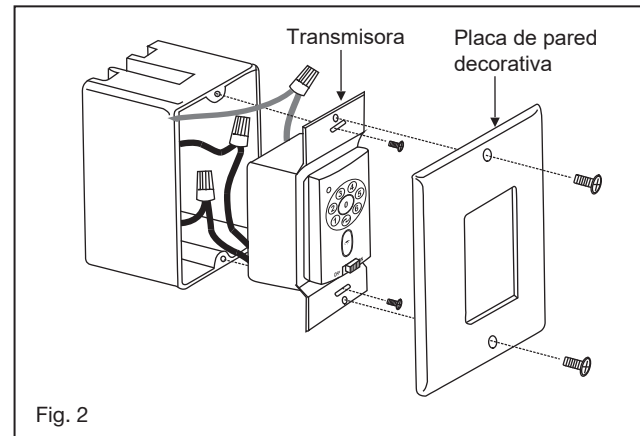
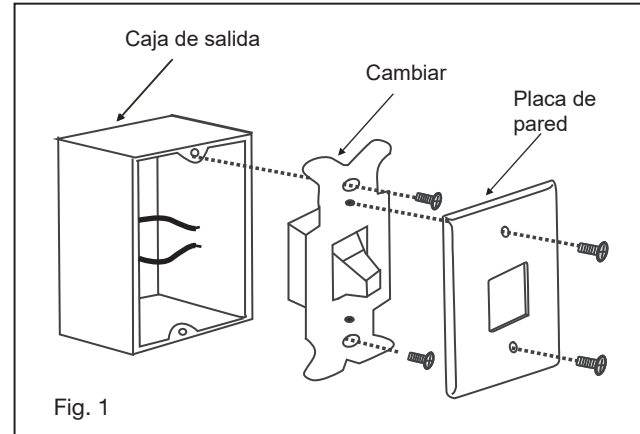
- 1 **NOTA:** Asegúrese de que la energía esté apagada antes de instalar.
- 2 Instale bombillas LED de 8 x 4 W (incluidas).
- 3 Levante la pantalla de vidrio contra el portalámparas y gírela en el sentido de las agujas del reloj hasta que quede ajustada, **NO APRIETE DEMASIADO**. Restaurar la energía está lista para funcionar.



INSTALACIÓN DEL CONTROL DE PARED

VERDE apagar la energía antes de comenzar. NOTA: el control debe instalarse a menos de 30 pies del ventilador.

- 1 Retire la placa de pared existente y el interruptor antiguo de la caja de salida de la pared. (Figura 1)
- 2 Conecte el cableado desde el receptáculo del interruptor de pared a la unidad transmisora de pared
 - Conecte un cable NEGRO de la pared a un cable NEGRO (etiquetado "TO FAN") del transmisor de pared.
 - Conecte el otro cable NEGRO (etiquetado "A LA FUENTE DE ALIMENTACIÓN") del transmisor al cable NEGRO restante de la pared (fuente de suministro de A / C).
- 3 Conecte el cable de tierra verde del interruptor al cable de tierra en la caja de salida de la pared.
- 4 Instale el transmisor de pared en la caja de salida de pared existente usando los tornillos provistos. Fije la placa de pared con los tornillos de montaje para finalizar la instalación. (Figura 2)



OPERACIÓN

Su motor DC sin escobillas está equipado con un control remoto de tipo aprendido automáticamente. No hay interruptores de frecuencia en el receptor o transmisor. El ventilador puede comenzar a usar una vez que finalice el proceso de emparejamiento.

Retire el panel del transmisor y luego instale una batería de 23A / 12V (incluida). Para evitar daños al transmisor, retire la batería si no la usa durante largos períodos de tiempo (Fig. 16).

- 1** Botón I, II, III, IV, V y VI:
Estos seis botones se utilizan para configurar la velocidad del ventilador de la siguiente manera:
I = velocidad mínima
II = baja velocidad
III = velocidad media baja
IV = velocidad media
V = velocidad media alta
VI = alta velocidad
- 2** ■ botón:
Este botón apaga el ventilador
- 3** ↶ Botón de retroceso:
Este botón es para controlar la dirección del ventilador. Este botón debe presionarse mientras el ventilador está funcionando (velocidad sugerida IV)
- 4** 🏠 Botón de luz:
Este botón es para controlar la luz opcional. Cambie el interruptor DIP "D" y "ON" en la parte frontal del transmisor para decidir la luz en la condición "ON / OFF" o "Dimmable".

- 5** Botón de configuración del código "SET":
Siga los pasos a continuación para usar el botón de configuración. (Figura 1)
- 6** ON - OFF Botón deslizante: interruptor de encendido. (Fig. 16)
- 7** Luz de señalización (Fig. 2)

Proceso de emparejamiento

Con el ventilador apagado, restaure la energía del ventilador. Mantenga presionado el botón "SET" durante unos 5 segundos y suéltelo. Si se instala un kit de luz opcional, el kit de luz parpadeará dos veces y la luz de señal en el control de pared se encenderá cuando se presione el botón. El ventilador ha completado el proceso de emparejamiento con el control de pared y está listo para usar.

NOTA: Un solo ventilador se puede controlar con hasta 3 controles de pared en una habitación. Cada control deberá repetir el proceso de emparejamiento según las instrucciones anteriores y todos los controles deben estar a menos de 30 pies del ventilador.

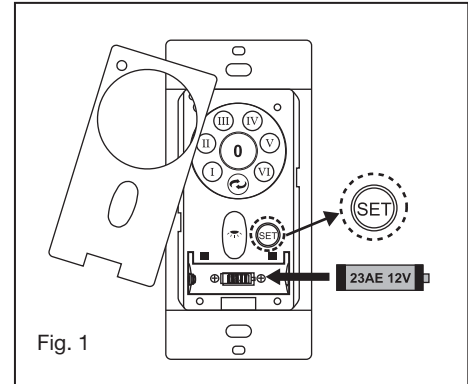


Fig. 1

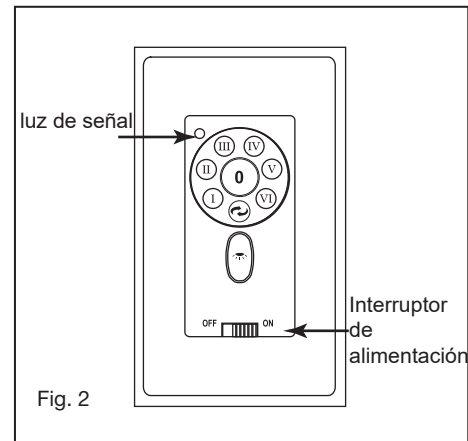


Fig. 2

CUIDADO Y LIMPIEZA

Periódicamente puede ser necesario volver a apretar los tornillos de la hoja al brazo de la hoja o del brazo de la hoja a los tornillos del motor para evitar un chasquido o un zumbido durante el funcionamiento. Esto es especialmente cierto en climas con amplios rangos de temperatura y humedad.

Al desempolvacar las hojas, debe apoyar la hoja para evitar que se doble; no se debe aplicar presión a las hojas. Si experimenta alguna falla en el funcionamiento de su ventilador, verifique los siguientes puntos.

SOLUCIÓN DE PROBLEMAS

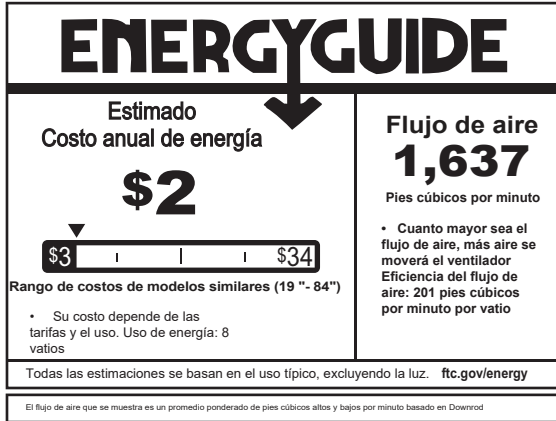
PRECAUCIÓN:

Desconecte la fuente de alimentación antes de realizar cualquiera de estas comprobaciones.

PROBLEMA	SOLUCIÓN
El ventilador no arranca	<ol style="list-style-type: none">1. Revisar los disyuntores y / o fusibles principales y secundarios.2. Verifique las conexiones del cable de línea al cableado de la carcasa del ventilador. Asegúrese de que el interruptor de avance / retroceso esté en una u otra posición, no atascado en el medio.3. Verifique que los interruptores DIP del transmisor y el receptor estén configurados en la misma frecuencia.
El ventilador suena ruidoso	<ol style="list-style-type: none">1. Verifique y asegúrese de que todos los tornillos en la carcasa del motor estén ajustados (pero no demasiado apretados).2. Verifique que los tornillos que sujetan los brazos de las aspas al motor estén apretados.3. Verifique que los conectores de cables en la caja del interruptor no hagan ruido entre sí o contra la pared interior de la caja del interruptor.4. Verifique que toda la cristalería esté apretada con los dedos y que las bombillas estén bien sujetas en los casquillos, si se usa un juego de luces.5. Verifique que el dosel esté firmemente sujeto al soporte colgante y que no vibre contra el techo.
El ventilador se tambalea	<ol style="list-style-type: none">1. Verifique que todas las cuchillas estén bien atornilladas en los brazos de las cuchillas. Verifique que todos los brazos de la cuchilla estén firmemente sujetos al motor.2. Verifique que el juego de luces (si lo hay) esté bien sujeto a la caja del interruptor y que todos los artículos de vidrio y cortinas estén bien sujetos. La oscilación también puede resultar de las desviaciones más pequeñas en la distancia de la punta de la hoja a la punta de la hoja.3. Si las medidas desde la punta de la hoja hasta la punta de la hoja no son iguales, afloje los tornillos que conectan la hoja al brazo de la hoja de uno en uno y ajuste la (s) hoja (s) para que las distancias sean iguales.4. El intercambio de palas adyacentes puede redistribuir la masa y resultar en un funcionamiento más suave. Los brazos de las hojas se pueden doblar ligeramente para restaurar el mismo paso en todas las hojas si una hoja es diferente a las otras hojas cuando se mira desde el borde.5. La mayor parte del bamboleo se debe a una caja eléctrica o un soporte de montaje sueltos. Asegúrese de que estén apretados y que la bola esté completamente asentada en el soporte.6. Utilice el kit de equilibrio de la hoja incluido si aún se nota el bamboleo de la hoja.
Mal funcionamiento del control remoto	<p>ADVERTENCIA: Para reducir el riesgo de lesiones personales, no doble el brazo de las aspas mientras instala, equilibra las aspas o limpia el ventilador. No inserte objetos extraños entre las aspas giratorias del ventilador.</p> <ol style="list-style-type: none">1. No conecte el ventilador con controles de velocidad variable montados en la pared.2. Asegúrese de que los interruptores DIP estén configurados correctamente.

GUÍA DE ENERGÍA

INFORMACIÓN MEDIA DE DESEMPEÑO Y ENERGÍA



ESPECIFICACIONES

ESPECIFICACIONES DE RENDIMIENTO	ESTÁNDAR	
	ALTA VELOCIDAD	BAJA VELOCIDAD
Flujo de aire (CFM)	2432	735
Energía usada (vatios)	10.7	2.1
Eficiencia de flujo de aire (CFM/W)	228	352
Costos de energía (anual)	\$2	\$1
Amplificadores	0.0	0.0
RPMs	0	0

INTELIGENTE POR BOND

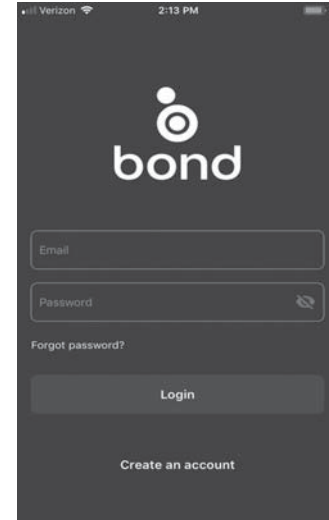
OPCIONES DE VENTILADOR INTELIGENTE HINKLEY

SE VENDE POR SEPARADO:

Además del control de pared incluido, puede controlar su ventilador Hinkley a través de la aplicación Bond.

- Para usar la aplicación, descárguela de forma gratuita desde App Store o Google Play.
- Abra la aplicación para crear su cuenta. También puede iniciar sesión con su cuenta de Facebook o Google.
- Luego, configure una conexión WiFi. Necesitará el SSID y la contraseña de WiFi para la red a la que desea conectarse.
- Recibirá un mensaje para elegir el acabado de su ventilador y nombrar su dispositivo de ventilador.
- La aplicación lo guiará a través de la pantalla principal y le mostrará cómo cambiar las velocidades de los ventiladores, atenuar la luz, configurar temporizadores o utilizar el modo brisa.

NOTA: Máximo de 2 ventiladores pueden operar en un circuito a través del control de pared. Un máximo de 12 ventiladores pueden operar en un circuito a través de un interruptor de encendido / apagado o interruptor cuando se utiliza la aplicación para el control del ventilador (sin el control de pared en el circuito).



<https://bondhome.io/app>

HINKLEY SE ENCUENTRA ORGULLOSO DE PROPORCIONARLE PRODUCTOS PARA VENTILADORES DE TECHO QUE MEJORAN SU ESPACIO CON COMODIDAD, PROPÓSITO Y ESTILO. COMO EMPRESA FAMILIAR, ESTAMOS COMPROMETIDOS CON EL DISEÑO, EL RENDIMIENTO Y LA CALIDAD, Y LO QUE ES IMPORTANTE PARA USTED ES PARAMOUNT PARA NOSOTROS.

PARA UN SURTIDO COMPLETO DE NUESTROS PRODUCTOS Y FUENTES DE LIBROS, VISITA HINKLEY.COM.

HINKLEY

GLOBAL HEADQUARTERS

33000 Pin Oak Parkway | Avon Lake, Ohio 44012

T (440) 653 5500 | F (440) 653 5555 | hinkley.com

HINKLEY

36" SAWYER™

VENTILATEUR LED INTÉRIEUR /
EXTÉRIEUR



WET



LED



MANUEL D'UTILISATION DU
VENTILATEUR DE PLAFOND

NOUS VOULONS VOUS AIMER VOTRE NOUVEAU FAN

NOUS SOMMES ICI SI VOUS AVEZ UNE QUESTION, BESOIN D'UNE AIDE OU VOULEZ CHAT SUR NOS PRODUITS. ENVOYER DES SUGGESTIONS NOTRE FAÇON AUSSI - NOUS CHERCHONS TOUJOURS À FAIRE DE VOTRE EXPÉRIENCE AVEC HINKLEY UNE POSITIVE.

> SERVICE@HINKLEY.COM

> [800.HINKLEY](https://www.800.hinkley.com)

> [@HINKLEY](https://www.instagram.com/hinkley_style)
[#HINKLEYSSTYLE](https://www.facebook.com/hinkley_style)

Ce manuel contient des instructions complètes pour l'installation et le fonctionnement de ce ventilateur. Il a été conçu pour rendre le processus d'installation aussi simple que possible. Si vous n'êtes pas familier ou mal à l'aise avec le câblage, veuillez contacter un électricien qualifié. Si vous avez besoin d'aide supplémentaire ou avez des questions, n'hésitez pas à nous contacter.

Pour des informations sur la garantie, visitez [hinkley.com](https://www.hinkley.com).

TABLE DES MATIÈRES

02	INSTRUCTIONS GÉNÉRALES D'INSTALLATION ET D'UTILISATION	10	INSTALLATION DE LA PLAQUE DE MONTAGE
03	PRÉCAUTIONS DE SÉCURITÉ IMPORTANTES	11	INSTALLATION DES AMPOULES À LED ET DES TEINTES DE VERRE
03	OUTILS ET MATÉRIAUX REQUIS	12	INSTALLATION DE LA COMMANDE MURALE
04	DÉBALLAGE DE VOTRE FAN	13	OPÉRATION
05	PRÉPARATION	14	ENTRETIEN ET NETTOYAGE
05	INSTALLATION DU SUPPORT DE SUSPENSION	14	DÉPANNAGE
06	SUSPENDRE LE VENTILATEUR	15	GUIDE DE L'ÉNERGIE
08	CONNECTIONS ELECTRIQUES	15	CARACTÉRISTIQUES
09	FIN DE L'INSTALLATION	15	SMART BY BOND
10	INSTALLATION DES LAMES		

AVERTISSEMENT:

Lisez et suivez attentivement ces instructions et tenez compte de tous les avertissements indiqués.

INSTRUCTIONS GÉNÉRALES D'INSTALLATION ET DE FONCTIONNEMENT

- 1 Pour assurer le succès de l'installation, assurez-vous de lire les instructions et de lire attentivement les schémas avant de commencer.
- 2 Pour éviter tout choc électrique, assurez-vous que l'électricité est coupée sur le boîtier d'alimentation principal avant le câblage. Toutes les connexions électriques doivent être effectuées conformément aux codes locaux, aux ordonnances et / ou au National Electric Code. Si vous n'êtes pas familier avec les méthodes d'installation du câblage et des produits électriques, faites appel aux services d'un électricien qualifié et agréé ainsi que de quelqu'un qui peut vérifier la résistance des éléments de plafond et effectuer les installations et les connexions appropriées.
- 3 **AVERTISSEMENT:** pour réduire le risque d'incendie, de choc électrique ou d'autres blessures corporelles, montez le ventilateur uniquement sur une boîte de sortie ou un système de support marqué comme acceptable pour un support de ventilateur de 35 lb (15,9 kg) ou moins et utilisez les vis de montage fournies avec la boîte de sortie. La plupart des boîtiers de sortie couramment utilisés pour le support des appareils d'éclairage ne sont pas acceptables pour le support du ventilateur et peuvent devoir être remplacés. Consulter un électricien qualifié en cas de doute.
- 4 Assurez-vous que votre site d'installation ne permettra pas aux pales de ventilateur en rotation d'entrer en contact avec un objet. Les lames doivent être à au moins 7 pieds du sol.
- 5 Les lames doivent être fixées une fois le boîtier du moteur suspendu et en place. Le boîtier du moteur du ventilateur doit être conservé dans le carton jusqu'à ce qu'il soit prêt à être installé pour protéger sa finition. Si vous installez plusieurs ventilateurs de plafond, assurez-vous de ne pas mélanger des ensembles de pales de ventilateur, car chaque pale fait partie d'un ensemble pondéré.
- 6 Après avoir effectué les connexions électriques, les conducteurs épissés doivent être tournés vers le haut et poussés avec précaution vers le haut dans la boîte de sortie. Les fils doivent être écartés avec le conducteur commun et le conducteur de mise à la terre sur un côté de la boîte de sortie, et le Fils "CHAUDS" de l'autre côté.
- 7 Les schémas électriques sont fournis à titre indicatif uniquement. Les kits d'éclairage qui ne sont pas emballés avec le ventilateur doivent être répertoriés UL et doivent être installés conformément aux instructions d'installation du kit d'éclairage.
- 8 Une fois le ventilateur complètement installé, assurez-vous que toutes les connexions sont sécurisées pour empêcher le ventilateur de tomber et / ou de causer des dommages ou des blessures.
- 9 Le ventilateur peut fonctionner immédiatement après l'installation - les roulements sont correctement chargés de graisse de sorte que, dans des conditions normales, une lubrification supplémentaire ne soit pas nécessaire pendant la durée de vie du ventilateur.
- 10 Pour activer la fonction d'inversion sur ce ventilateur, appuyez sur le bouton d'inversion pendant que le ventilateur fonctionne.

PRÉCAUTIONS DE SÉCURITÉ IMPORTANTES

AVERTISSEMENTS:

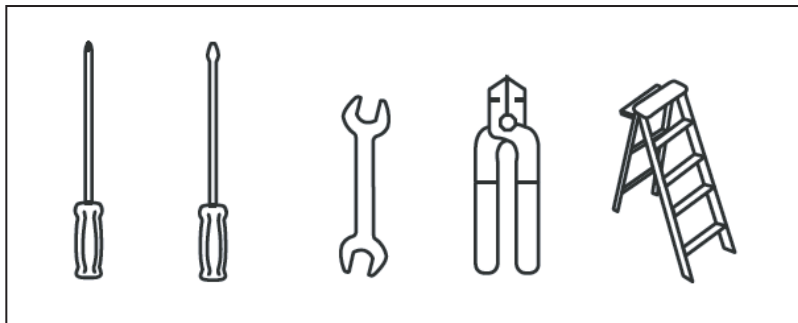
- Coupez l'alimentation en retirant le fusible ou en fermant le disjoncteur avant d'installer le ventilateur et / ou l'éclairage en option.
- Support directement à partir de la structure du bâtiment.
- Pour réduire le risque d'incendie, d'électrocution ou de blessure, montez sur la boîte de sortie marquée "acceptable pour le support du ventilateur" et utilisez les vis de montage fournies avec la boîte de sortie. La plupart des boîtiers de sortie couramment utilisés pour le support des appareils d'éclairage ne sont pas acceptables pour le support du ventilateur et peuvent devoir être remplacés. Consulter un électricien qualifié en cas de doute.
- N'utilisez pas de gradateur de lumière incandescente. N'utilisez pas ce ventilateur avec un dispositif de contrôle de vitesse de ventilateur de type transformateur.
- Pour réduire le risque de blessures corporelles, ne pliez pas les bras des pales lors de leur installation, de l'équilibrage des pales ou du nettoyage du ventilateur.
- N'insérez aucun objet entre les pales du ventilateur en rotation.

REMARQUE:

Les précautions, garanties et instructions importantes figurant dans ce manuel ne sont pas destinées à couvrir toutes les conditions et situations possibles qui peuvent survenir. Il faut comprendre que le bon sens, la prudence et la prudence sont des facteurs qui ne peuvent être intégrés à ce produit. Ces facteurs doivent être fournis par la ou les personnes installant, prenant soin et utilisant l'appareil.

OUTILS ET MATÉRIAUX REQUIS

- TOURNEVIS CRUCIFORME
- TOURNEVIS PLAT
- CLÉ OU PINCE
- COUPE-FIL
- ESCABEAU
- FOURNITURES DE CÂBLAGE
COMME REQUIS PAR LE CODE
ÉLECTRIQUE



DÉBALLAGE DE VOTRE FAN

DÉBALLER VOTRE FAN ET VÉRIFIER LE CONTENU

- Ne jetez pas le carton. Si un remplacement ou une réparation sous garantie est nécessaire, le ventilateur doit être retourné dans son emballage d'origine. Retirez toutes les pièces et le matériel. Ne posez pas le boîtier du moteur sur le côté, sinon le boîtier décoratif pourrait se déplacer, être plié ou endommagé.
- Examinez toutes les pièces. Vous devriez avoir les éléments suivants:

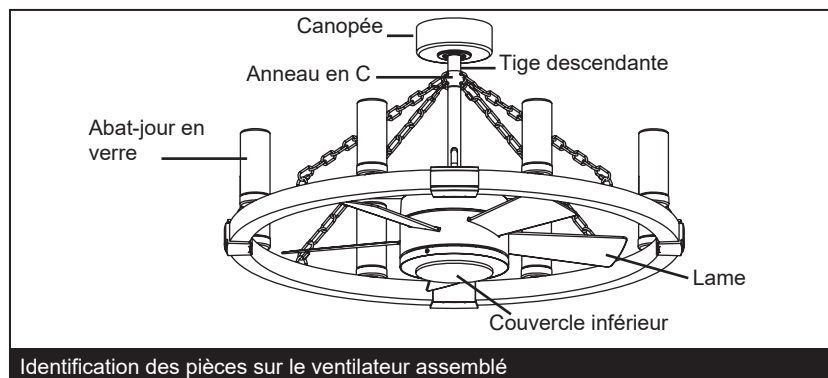
CONTENU DU PACKAGE INDY		
1	Ensemble de 5 lames	BL902928Fxx
2	Support de suspension	CA9000752Fxx
3	Auvent de plafond et anneau de garniture	
4	Anneau en C	x
5	Couverture de joug	YC902928Fxx
6-1	Assemblage de tige descendante de 12 po	DR94012Fxx
6-2	Tige descendante de 24 po	990024Fxx
7	Boîtier de ventilateur avec moteur	x
8-1	Ensemble de chaîne de 12 po avec coupleurs	CH902912Fxx
8-2	Ensemble de chaîne de 24 po avec coupleurs	CH902924Fxx
9	Abat-jour en verre	GL902928SDY
10	Plaque d'adaptation	LW902928Fxx
11	Couvercle inférieur	
12	Récepteur Incl. 5 fil écrou	CN902928
13	Commande murale avec plaque murale de batterie 12v, plaque frontale, 2 jeux de vis de montage et de vis mécaniques	980013FAS
14	Ampoules LED 4W	E901256LED LMP
15	clé Allen	x
16	Sac de matériel	
	Quincaillerie de montage du support (vis à bois, vis, rondelles de blocage, rondelles en étoile, rondelles plates, écrous de fil), vis de la lame au moteur avec rondelles en caoutchouc, Joint en caoutchouc, Kit d'équilibre, Quincaillerie de câble de sécurité (vis à bois, rondelle plate)	MH902928Fxx
	XX=FINITION DU VENTILATEUR	

REMARQUE: La conception des pièces illustrées ci-dessus peut sembler légèrement différente pour votre modèle de ventilateur spécifique.

PRÉPARATION

PRÉPARATION:

Vérifiez que vous disposez de toutes les pièces avant de commencer l'installation. Vérifiez attentivement l'insert en mousse pour les pièces manquantes. Retirez le moteur de l'emballage. Pour éviter d'endommager la finition, assemblez le moteur sur une surface rembourrée ou utilisez l'insert en mousse d'origine dans le boîtier du moteur. **NE PAS POSER LE CARTER DU MOTEUR SUR SON CÔTÉ, CELA POURRAIT CAUSER LE CHANGEMENT DU MOTEUR DANS L'ENVELOPPE DÉCORATIVE.**

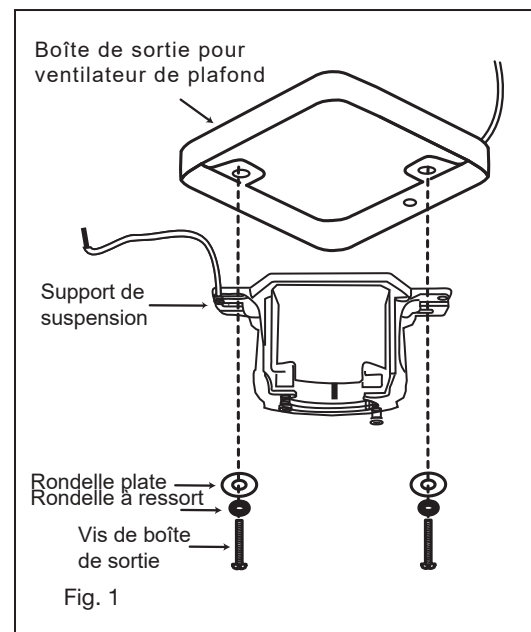


Identification des pièces sur le ventilateur assemblé

INSTALLATION DU SUPPORT DE SUSPENSION

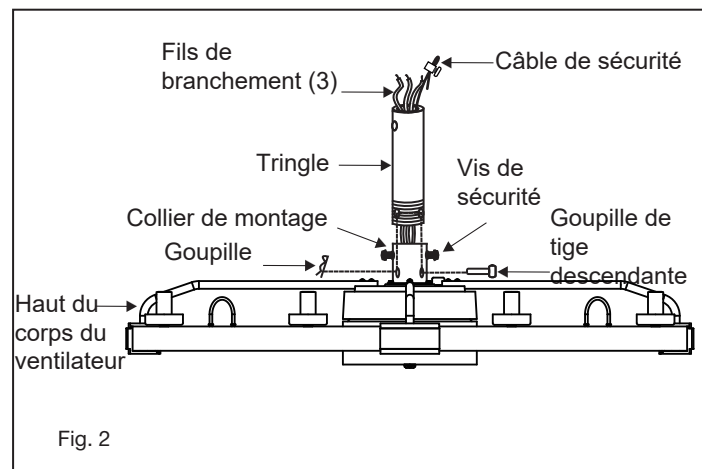
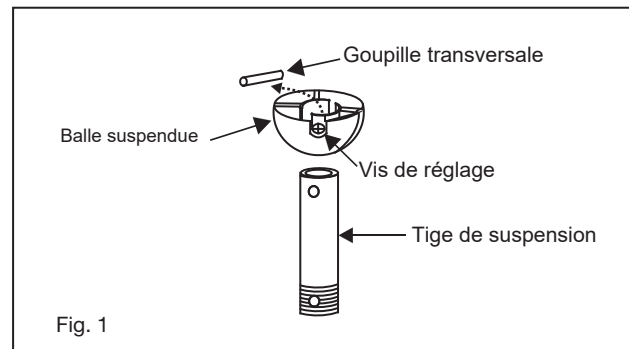
ATTENTION: Pour éviter tout risque d'électrocution, assurez-vous que l'électricité est coupée au niveau du boîtier d'alimentation principal avant le câblage. Tout le câblage doit être conforme aux codes électriques nationaux et locaux et le ventilateur de plafond doit être mis à la terre par mesure de précaution contre un éventuel choc électrique.

- 1 Localisez la solive de plafond à l'endroit où le ventilateur doit être installé, en vous assurant que l'emplacement est conforme aux exigences de la section dégagement minimum de ce guide. Les solives de bois doivent être solides et de taille adéquate pour supporter 35 livres (voir page 2, éléments 3 et 4).
- 2 S'il n'est pas déjà présent, montez une boîte de sortie homologuée UL marquée «approprié pour le support du ventilateur» en suivant les instructions fournies avec la boîte de sortie. La boîte de sortie doit pouvoir supporter un minimum de 35 livres.
- 3 Retirez la verrière du support de suspension. Retirez l'anneau de garniture à verrouillage par rotation en tournant dans le sens antihoraire. Retirez la vis de la verrière qui n'a pas de fente pour clé dans la verrière. Desserrez la vis avec la fente pour clé et retirez la verrière.
- 4 Fixez le support de suspension à la boîte de sortie à l'aide des vis fournies avec la boîte de sortie.



SUSPENDRE LE VENTILATEUR

- 1 Retirez la bille de la tige descendante en desserrant la vis de réglage sur le côté de la bille. Faites glisser la bille vers le bas et retirez la goupille à billes retirer la bille. (Fig. 1)
- 2 Soutenez soigneusement le corps du ventilateur (moteur) dans son emballage en polystyrène avec le collier de montage (où les fils sortent) vers le haut.
- 3 Desserrez les deux vis de réglage de sécurité et retirez la goupille de tige de descente au lieu de la goupille d'attelage de l'accouplement sur le dessus de l'assemblage du moteur. (Fig. 2)
- 4 Faites passer soigneusement les fils électriques et le câble de sécurité du ventilateur à travers la tige de descente. Vissez la tige descendante dans le coupleur jusqu'à ce que les trous s'alignent. Insérez la goupille de la tige descendante dans les trous du collier de montage et de la tige descendante; attachez la goupille fendue à travers le petit trou à l'extrémité de la tige de descente pour maintenir la tige de descente en place.
- 5 Serrez les vis de sécurité contre la tige de descente à l'aide d'un gros tournevis à lame plate pour assurer un ajustement serré contre la tige de descente. Serrez les écrous contre le collier de montage.



- 1 Glissez le couvercle de joug, l'anneau en C, l'anneau de garniture et la verrière sur la tige de descente. (Fig. 3)
- 2 Faites glisser la boule de suspension sur la tige descendante, insérez la goupille transversale dans la tige descendante et serrez. Serrez la vis de réglage.

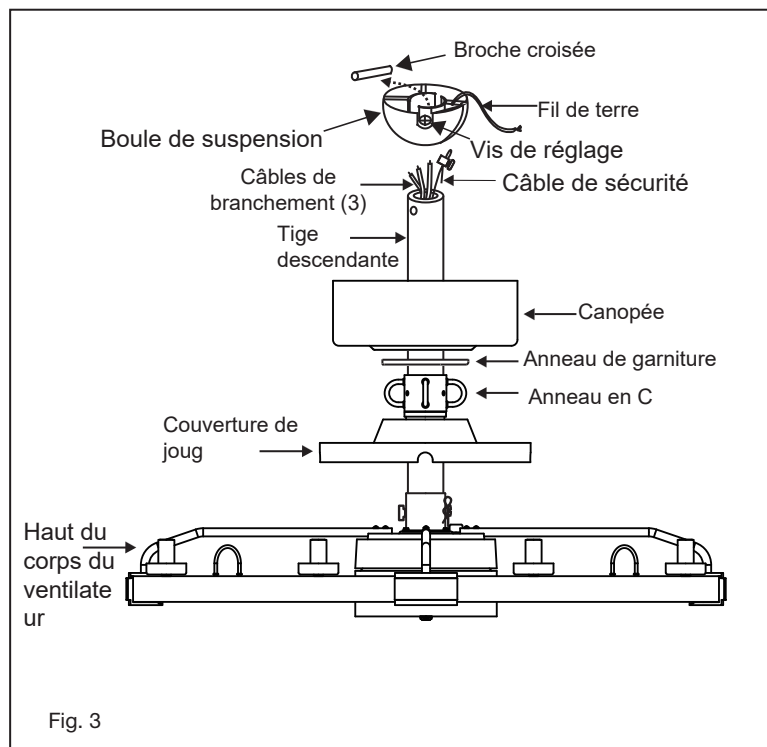
REMARQUE:

Le ventilateur a 6 pieds de fil de raccordement au cas où vous utilisez une longue tige de descente.

- 3 Soulevez la bille / tige descendante / ventilateur dans l'ouverture du support de suspension.

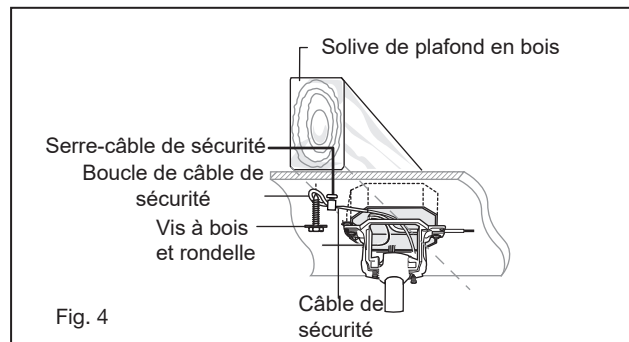
REMARQUE: La languette opposée à l'ouverture du support de suspension doit s'insérer dans la fente de la bille. (Fig. 4)
Effectuez les connexions des fils, (reportez-vous à la section intitulée «Connexions électriques»).

- 5 Faites glisser l'auvent vers le haut et fixez-le au support de suspension avec 4 vis fournies.



INSTALLATION DU SUPPORT DE CÂBLE DE SÉCURITÉ

Fixez la vis à bois et la rondelle plate à la solive du plafond comme illustré (ne serrez pas complètement). Faites glisser le serre-câble sur le câble de sécurité du ventilateur. Enroulez le câble de sécurité autour de la vis à bois qui vient d'être fixée à la solive de plafond. Faites passer l'extrémité du câble dans la pince et tirez autant de câble que possible. Serrez fermement la vis du collier. Couper le câble en excès.



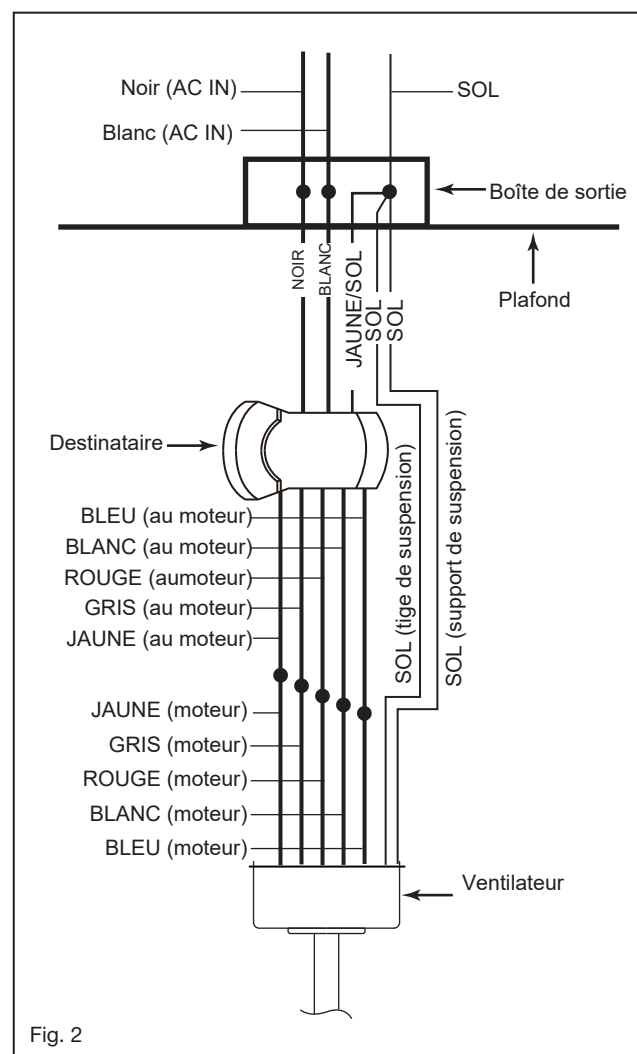
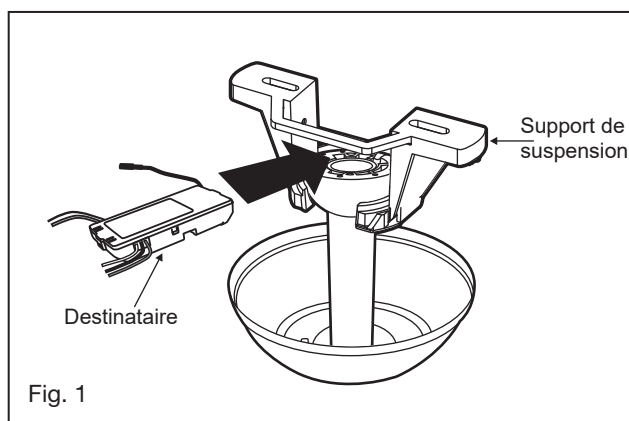
CONNEXIONS ELECTRIQUES

REMARQUE: un ventilateur par circuit d'alimentation.

N'OUBLIEZ PAS - Coupez l'alimentation! **REMARQUE** - La commande doit être installée à moins de 30 pieds du ventilateur.

Utilisez les serre-fils fournis avec votre ventilateur lors des connexions. Fixez les connecteurs avec du ruban électrique et assurez-vous qu'il n'y a pas de connexions desserrées ou de brins de fils.

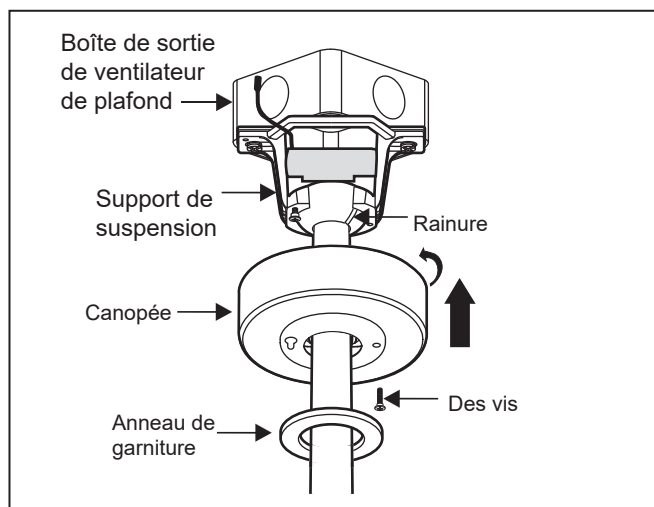
- 1 Insérez le récepteur dans le haut du boîtier du ventilateur. (Fig. 1) Pour de meilleures performances, assurez-vous que l'antenne noire, à l'extrémité du récepteur, reste déployée et ne s'emmêle avec aucun des fils électriques.
- 2 Effectuez les connexions de câbles entre le ventilateur et le récepteur. Pour cette étape, utilisez le faisceau de 5 fils sur le récepteur. (Fig.2). 2)
 - Connectez le fil de ventilateur JAUNE au fil de récepteur JAUNE.
 - Connectez le fil de ventilateur GRIS au fil de récepteur GRIS.
 - Connectez le fil neutre du ventilateur ROUGE au fil neutre du récepteur ROUGE.
 - Connectez le fil neutre du ventilateur BLANC au fil neutre du récepteur BLANC.
 - Connectez le fil neutre du ventilateur BLEU au fil neutre du récepteur BLEU.
- 3 Connectez le câblage du plafond à l'unité de réception. (Utilisez le faisceau de 2 fils sur le récepteur.) Fixez avec le fil fourni
 - Connectez le fil d'alimentation du bâtiment NOIR au fil du récepteur NOIR.
 - Connectez le fil neutre du récepteur BLANC au fil neutre du bâtiment BLANC.
 - Connectez le fil de terre du bâtiment COPPER au fil de terre du ventilateur JAUNE / VERT.
 - Connectez également les deux fils VERT (du ventilateur) au fil de terre du bâtiment.



FIN DE L'INSTALLATION

- 1 Rentez soigneusement les connexions dans la boîte de sortie du plafond.
- 2 Faites glisser la verrière vers le support de montage et placez le trou de clé sur l'anneau de garniture, la vis sur le support de montage, tournez la verrière jusqu'à ce qu'elle se verrouille en place dans la section étroite des trous de clé.
- 3 Alignez le trou circulaire sur la verrière avec le trou restant sur le support de montage, fixez en serrant les deux vis de réglage.

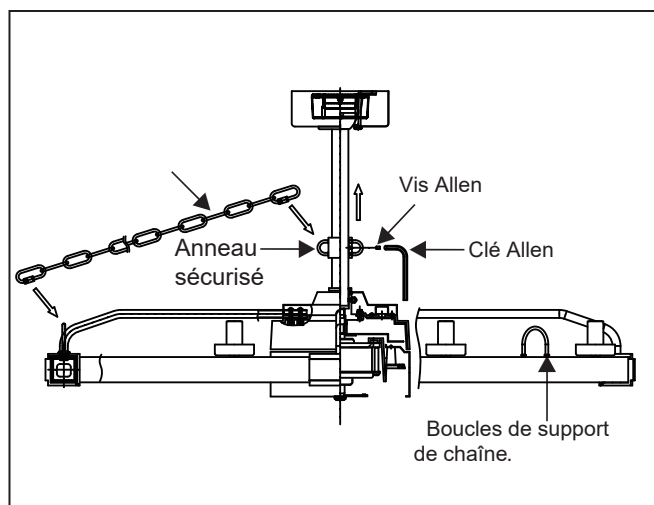
REMARQUE: Ajustez les vis de l'auvent au besoin jusqu'à ce que l'auvent et l'anneau de garniture soient bien serrés.



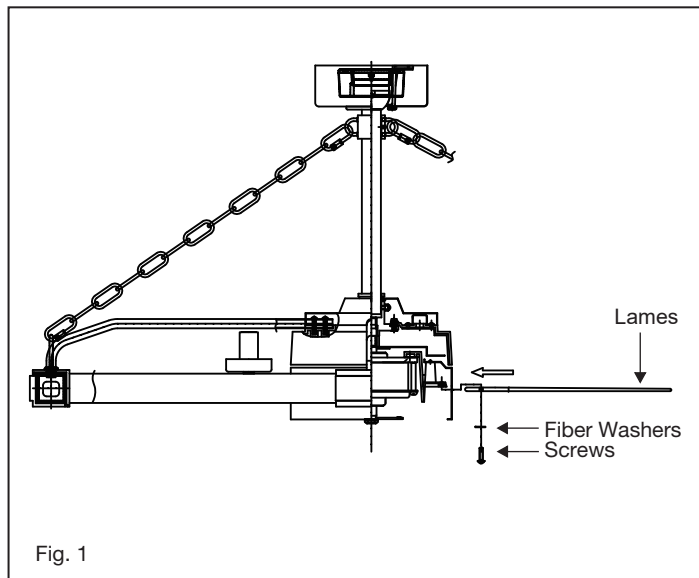
AVERTISSEMENT:

Assurez-vous que le crochet du support de suspension se trouve correctement dans la rainure de la boule de suspension avant de fixer la verrière au support en tournant le boîtier jusqu'à ce qu'il se mette en place.

- 4 Desserrez les boucles à une extrémité de la chaîne et attachez-les aux boucles de support de chaîne du luminaire. Desserrez les boucles restantes des extrémités de la chaîne et installez la chaîne sur l'anneau en C sur la tige du ventilateur. Faites glisser le
- 5 C-Ring sur la tige descendante jusqu'à ce que les chaînes se moquent. Fixez l'anneau en C en position sur la tige descendante en fixant les deux vis de réglage.



INSTALLATION DES LAMES

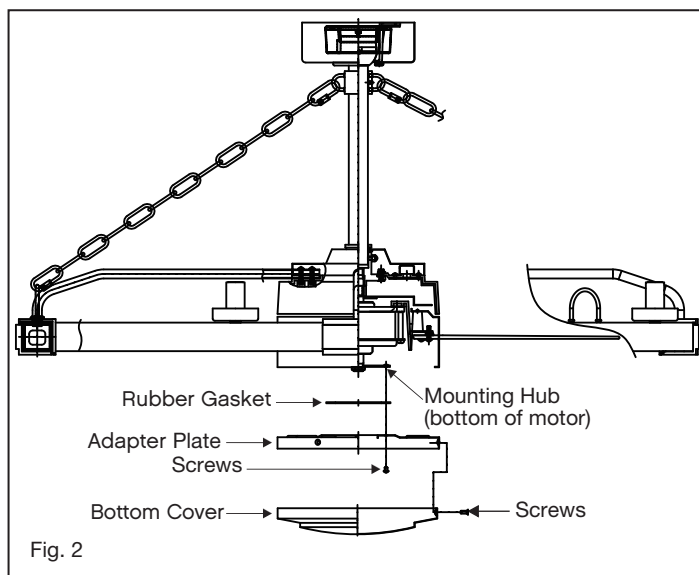


- 1 Insérez la lame dans la fente du boîtier. Alignez les trous sur la lame et le bloc moteur du ventilateur et fixez-les avec les rondelles en fibre et les vis de fixation des lames.
- 2 Assurez-vous que les vis sont SERRÉES! Des vis de moteur desserrées peuvent contribuer à un bourdonnement inutile pendant le fonctionnement.
- 3 Répétez la procédure pour les lames restantes.

REMARQUE:

Les tournevis électriques sans fil ne sont PAS recommandés, car ils dénudent généralement les têtes des vis et ne compressent généralement pas complètement les rondelles de blocage sur les vis du moteur. Utilisez un gros tournevis à lame plate pour le serrage final afin de comprimer complètement les rondelles. Cela aidera à assurer un alignement correct des lames et un fonctionnement sans bruit et sans oscillation.

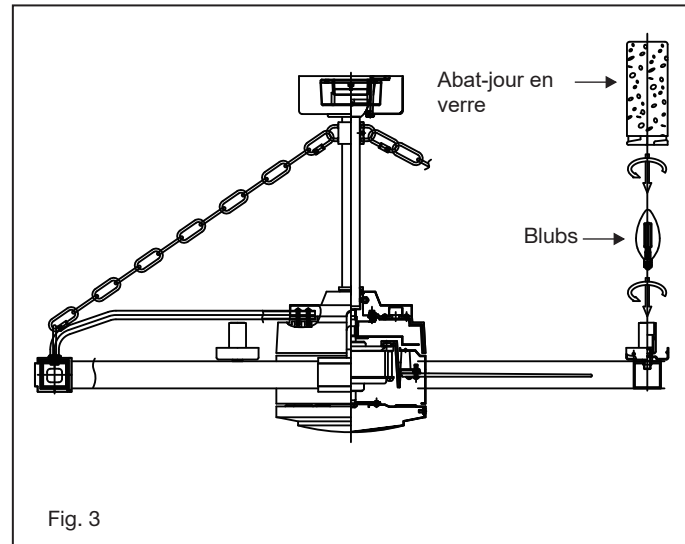
INSTALLATION DE LA PLAQUE DE MONTAGE



- 1 **REMARQUE:** assurez-vous que l'alimentation est coupée avant l'installation.
- 2 Retirez l'une des trois vis du moyeu de montage situé sur le moteur du ventilateur. Desserrez les 2 autres vis. (Ne pas retirer) (Fig.2)
- 3 Placez les trous de clé sur le joint en caoutchouc et la plaque d'adaptation sur les 2 vis précédemment desserrées, tournez la plaque d'adaptation jusqu'à ce qu'elle se verrouille en place dans la section étroite des trous de clé. Fixez en serrant les 2 vis précédemment desserrées et celle précédemment retirée.
- 4 Soulevez le couvercle inférieur contre la plaque d'adaptation avec 2 vis jusqu'à ce qu'il soit bien serré. L'alimentation de restauration est prête à fonctionner.

INSTALLATION DES AMPOULES À LED ET DES TEINTES DE VERRE

- 1 **REMARQUE:** assurez-vous que l'alimentation est coupée avant l'installation.
- 2 Installez 8 ampoules LED de 4 W (incluses).
- 3 Soulevez l'abat-jour en verre contre le support de lumière et tournez dans le sens des aiguilles d'une montre jusqu'à ce qu'il soit bien serré, **NE PAS TROP SERRER**.
L'alimentation de restauration est prête à fonctionner.

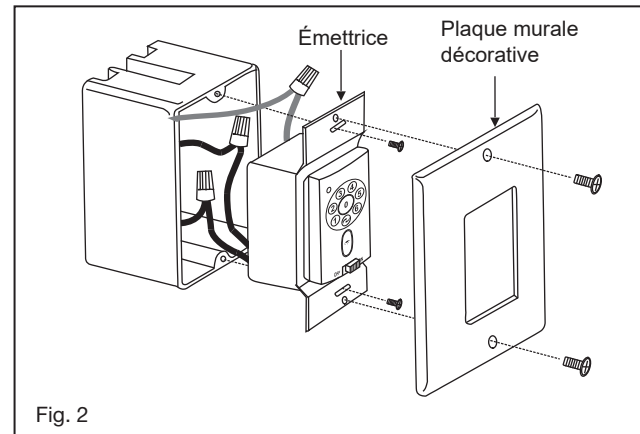
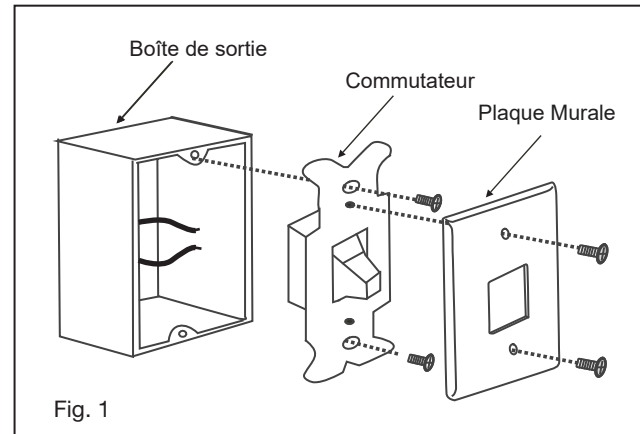


INSTALLATION DE LA COMMANDE MURALE

N'OUBLIEZ PAS de couper l'alimentation avant de commencer.

REMARQUE - La commande doit être installée à moins de 30 pieds du ventilateur

- 1 Retirez la plaque murale existante et l'ancien interrupteur du boîtier de prise murale. (Fig. 1)
- 2 Connectez le câblage de la prise murale à l'émetteur mural
 - Connectez un fil NOIR du mur à un fil NOIR (étiqueté "TO FAN") de l'émetteur mural.
 - Connectez l'autre fil NOIR (étiqueté "TO POWER SUPPLY") de l'émetteur au fil NOIR restant du mur (source d'alimentation A / C).
- 3 Connectez le fil de terre vert de l'interrupteur au fil de terre du boîtier de prise murale.
- 4 Installez l'émetteur mural sur la boîte murale existante à l'aide des vis fournies. Fixez la plaque murale avec les vis de montage pour terminer l'installation. (Fig.2)



OPÉRATION

Votre moteur CC sans balais est équipé d'une télécommande de type à apprentissage automatique. Il n'y a pas de commutateurs de fréquence sur le récepteur ou l'émetteur. Le ventilateur peut commencer à utiliser une fois le processus d'appariement terminé.

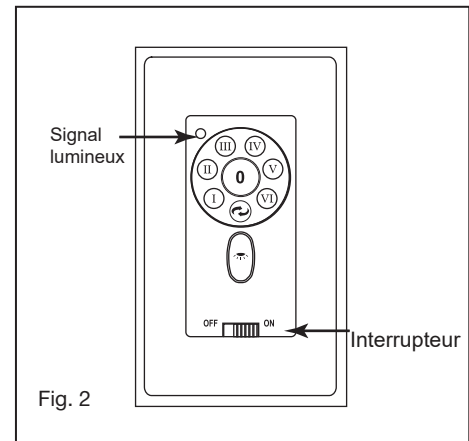
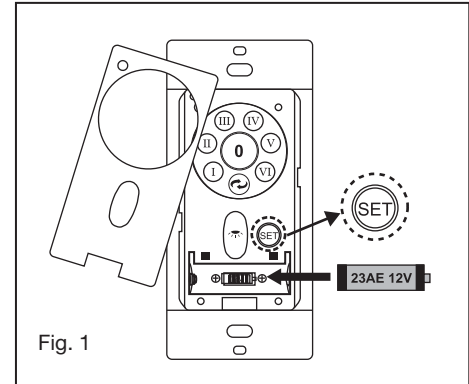
Retirez le panneau de l'émetteur, puis installez une pile 23A / 12V (incluse). Pour éviter d'endommager l'émetteur, retirez la batterie si vous ne l'utilisez pas pendant de longues périodes (Fig. 16).

- 1** Bouton I, II, III, IV, V et VI:
Ces six boutons sont utilisés pour régler la vitesse du ventilateur comme suit:
I = vitesse minimale
II = basse vitesse
III = vitesse moyenne basse
IV = vitesse moyenne V = vitesse moyenne élevée
VI = haute flèche
- 2** ■ bouton:
Ce bouton éteint le ventilateur
- 3** ↶ bouton de marche arrière:
Ce bouton sert à contrôler la direction du ventilateur. Ce bouton doit être enfoncé pendant le fonctionnement du ventilateur (vitesse suggérée IV)
- 4** 🏠 bouton d'éclairage:
Ce bouton sert à contrôler la lumière en option. Mettez l'interrupteur DIP "D" et "ON" à l'avant de l'émetteur pour décider de la lumière en "ON / OFF" ou "Dimmable"

- 5** Bouton de réglage du code "SET": Suivez les étapes ci-dessous pour utiliser le bouton de réglage. (Fig. 1)
- 6** ON - OFF Bouton coulissant: interrupteur d'alimentation. (Fig. 16)
- 7** Signal lumineux (Fig. 2)6

Processus d'appariement

Lorsque le ventilateur est hors tension, rétablissez l'alimentation du ventilateur. Appuyez et maintenez le bouton "SET" pendant environ 5 secondes et relâchez. Si un kit d'éclairage en option est installé, le kit d'éclairage clignote deux fois et le voyant lumineux de la commande murale s'allume lorsque vous appuyez sur le bouton. Le ventilateur a terminé le processus d'appariement avec la commande murale et est prêt à l'emploi.
REMARQUE: Un seul ventilateur peut être contrôlé avec jusqu'à 3 commandes murales dans une pièce. Chaque contrôle devra répéter le processus de couplage en fonction des instructions ci-dessus et tous les contrôles doivent être à moins de 30 pieds du ventilateur.



ENTRETIEN ET NETTOYAGE

Périodiquement, il peut être nécessaire de resserrer les vis de la lame sur le bras de la lame ou du bras de la lame sur les vis du moteur pour éviter les cliquetis ou les bourdonnements pendant le fonctionnement. Cela est particulièrement vrai dans les climats avec de larges plages de température et d'humidité.

Lors de l'époussetage des lames, vous devez soutenir la lame pour éviter qu'elle ne se plie - aucune pression ne doit être appliquée sur les lames. Si vous rencontrez des défauts dans le fonctionnement de votre ventilateur, veuillez vérifier les points suivants.

DÉPANNAGE

MISE EN GARDE:
Coupez l'alimentation électrique avant d'effectuer l'un de ces contrôles.

PROBLÈME	SOLUTION
Le ventilateur ne démarre pas	<ol style="list-style-type: none">1. Vérifiez les disjoncteurs et / ou fusibles principaux et secondaires.2. Vérifiez les connexions du cordon d'alimentation au câblage du boîtier du ventilateur. Assurez-vous que le commutateur de marche avant / arrière est dans l'une ou l'autre des positions, et non coincé au milieu.3. Vérifiez que les commutateurs DIP de l'émetteur et du récepteur sont réglés sur la même fréquence.
Le ventilateur sonne bruyant	<ol style="list-style-type: none">1. Vérifiez et assurez-vous que toutes les vis du carter du moteur sont bien serrées (mais pas trop).2. Vérifiez que les boulons qui maintiennent les bras de lame au moteur sont bien serrés.3. Vérifiez que les connecteurs de fils dans le boîtier de commutation ne font pas de bruit les uns contre les autres ou contre la paroi intérieure du boîtier de commutation.4. Vérifiez que toute la verrerie est serrée à la main et que les ampoules sont correctement insérées dans les douilles, si vous utilisez un ensemble de lumières.5. Vérifiez que l'auvent est solidement fixé au support et ne vibre pas contre le plafond.
Le ventilateur vacille	<ol style="list-style-type: none">1. Vérifiez que toutes les lames sont fermement vissées dans les bras de lame. Vérifiez que tous les bras de lame sont solidement fixés au moteur.2. Assurez-vous que le kit d'éclairage (le cas échéant) est solidement fixé au boîtier de l'interrupteur et que toute la verrerie et les stores sont correctement fixés. L'oscillation peut également résulter des plus petits écarts de distance entre l'extrémité de la lame et l'extrémité de la lame.3. Si les mesures de la pointe de la lame à la pointe de la lame ne sont pas égales, desserrez les vis reliant la lame au bras de lame une par une et ajustez la ou les lames de sorte que les distances soient égales.4. L'échange de lames adjacentes peut redistribuer la masse et permettre un fonctionnement plus fluide. Les bras de lame peuvent être légèrement pliés pour redonner le même pas à toutes les lames si une lame est différente des autres lames lorsque le bord est vu.5. La plupart des oscillations peuvent être attribuées à une boîte électrique ou un support de montage desserré. Assurez-vous que ceux-ci sont bien serrés et que la boule est complètement insérée dans le support.6. Utilisez le kit d'équilibrage de lame fourni si l'oscillation de la lame est toujours visible.

AVERTISSEMENT: pour réduire le risque de blessures, ne pliez pas le bras de lame lors de l'installation, de l'équilibrage des lames ou du nettoyage du ventilateur. N'insérez pas d'objets étrangers entre les pales du ventilateur en rotation.

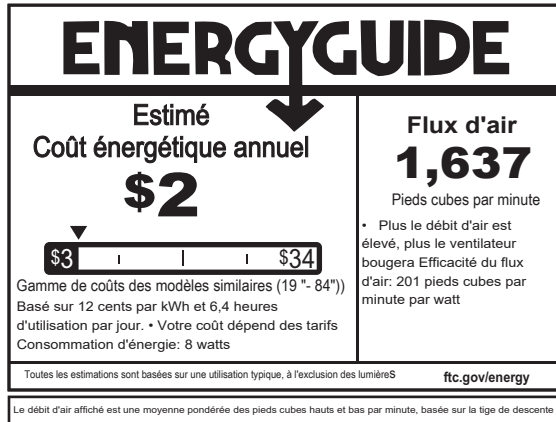
Dysfonctionnement de la télécommande

1. Ne connectez pas le ventilateur à une ou plusieurs commandes de vitesse variable fixées au mur.
2. Assurez-vous que les commutateurs DIP sont correctement réglés.

GUÍA DE ENERGÍA

ESPECIFICACIONES

INFORMACIÓN MEDIA DE DESEMPEÑO Y ENERGÍA



ESPECIFICACIONES DE RENDIMIENTO	ESTÁNDAR	
	ALTA VELOCIDAD	BAJA VELOCIDAD
Flujo de aire (CFM)	2432	735
Energía usada (vations)	10.7	2.1
Eficiencia de flujo de aire (CFM/W)	228	352
Costos de energía (anual)	\$2	\$1
Amplificadores	0.0	0.0
RPMs	0	0

SMART BY BOND

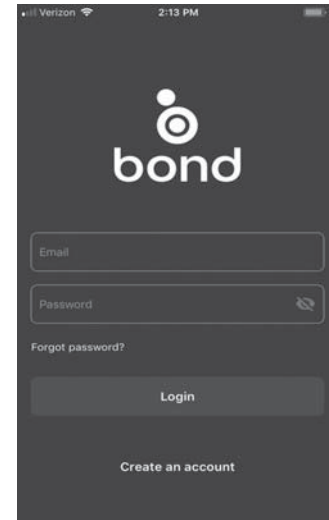
OPTIONS DE VENTILATEUR HINKLEY SMART

VENDU SÉPARÉMENT:

En plus du contrôle mural inclus, vous pouvez contrôler votre ventilateur Hinkley via l'application Bond.

- Pour utiliser l'application, téléchargez-la gratuitement depuis l'App Store ou Google Play.
- Ouvrez l'application pour créer votre compte. Vous pouvez également vous connecter avec votre compte Facebook ou Google.
- Ensuite, configurez une connexion WiFi. Vous aurez besoin du SSID et du mot de passe WiFi pour le réseau auquel vous souhaitez vous connecter.
- Vous serez invité à choisir la finition de votre ventilateur et à nommer votre périphérique de ventilateur.
- L'application vous guidera à travers l'écran principal et vous montrera comment modifier la vitesse des ventilateurs, atténuer la lumière, régler les minuteries ou utiliser le mode brise.

REMARQUE: 2 ventilateurs maximum peuvent fonctionner sur un circuit via la commande murale. Un maximum de 12 ventilateurs peuvent fonctionner sur un circuit via un interrupteur marche / arrêt ou un disjoncteur lors de l'utilisation de l'application pour la commande du ventilateur (sans la commande murale dans le circuit).



<https://bondhome.io/app>

HINKLEY EST FIÈRE DE VOUS FOURNIR DES PRODUITS DE VENTILATEUR DE PLAFOND QUI AMÉLIORENT VOTRE ESPACE AVEC CONFORT, OBJECTIF ET STYLE. EN TANT QU'ENTREPRISE FAMILIALE, NOUS NOUS ENGAGEONS À CONCEVOIR, PERFORMANCE ET QUALITÉ, ET CE QUI EST IMPORTANT POUR VOUS EST PARAMOUNT POUR NOUS.

POUR UN ASSORTIMENT COMPLET DE NOS PRODUITS ET LIVRES DE SOURCE, VISITEZ [HINKLEY.COM](https://www.hinkley.com).

HINKLEY

GLOBAL HEADQUARTERS

33000 Pin Oak Parkway | Avon Lake, Ohio 44012

T (440) 653 5500 | F (440) 653 5555 | hinkley.com