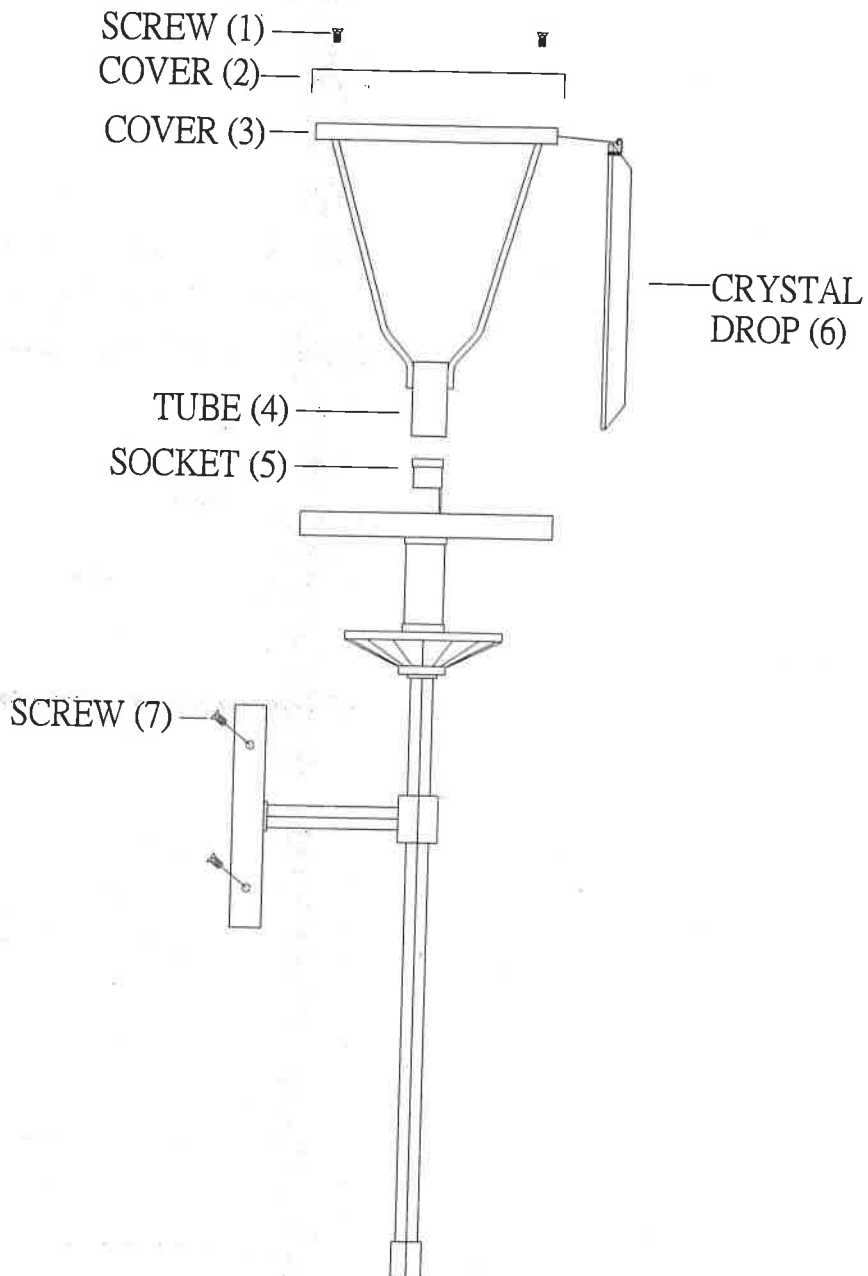


ITEM NO: 9-400-1-11
9-400-1-121

LIGHTING



INSTALLATION INSTRUCTIONS

1. Carefully remove the fixture out of the carton, and check that all parts are included referring to the above illustration. Make sure not to misplace any parts that are needed for the installation;
2. Install the crystal drop (6) onto cover (3).
3. Install the cover (2) onto cover (3), then secure them with screw (1).
4. Install the tube (4) onto socket (5).
5. Fixture is ready for lamping and installation.