



Project:

Location:

Fixture Type:

Catalog Number:

**AVAILABLE FINISHES:**



## Revere

WS-W22115

**PRODUCT DESCRIPTION**

Gracious and substantial. Mouth-blown seeded hammered glass creates a stunning effect. This updated lantern engineered with ACLED driverless technology invitingly draws attention to entryways. Revere features a transitional style for flexible architectural applications and is useful for tight spaces and columns where a slim fit is required. ADA Compliant. 3 convenient sizes.

**FEATURES**

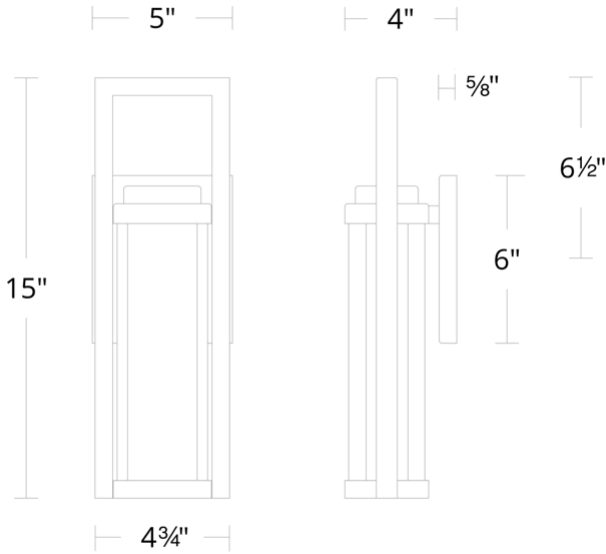
- ACLED driverless technology
- Seedy mouth-blown hammered glass
- Open bottom and removable glass for easy cleaning

**SPECIFICATIONS**

<b>Rated Life</b>	54000 Hours
<b>Standards</b>	ETL, cETL, Wet Location Listed, Title 24 JA8: 2019 Compliant
<b>Input</b>	120 VAC, 50/60Hz
<b>Dimming</b>	ELV: 100-10%, TRIAC: 100-10%
<b>Color Temp</b>	3000K
<b>CRI</b>	90
<b>Construction</b>	Die cast cap, extruded aluminum body, mouth blown hammered seedy glass shade with etched glass diffuser

**REPLACEMENT PARTS**

RPL-GLA-22115 - Hammered Seedy Glass



WS-W22115

Model & Size	Color Temp	Finish	LED Watts	LED Lumens	Delivered Lumens
WS-W22115 15"	3000K	BK Black	10.6W	514	225

Example: **WS-W22115-BK**

For custom requests please contact [customs@modernforms.com](mailto:customs@modernforms.com)



Project: \_\_\_\_\_

Location: \_\_\_\_\_

Fixture Type: \_\_\_\_\_

Catalog Number: \_\_\_\_\_

**AVAILABLE FINISHES:**



## Revere

WS-W22120

**PRODUCT DESCRIPTION**

Gracious and substantial. Mouth-blown seeded hammered glass creates a stunning effect. This updated lantern engineered with ACLED driverless technology invitingly draws attention to entryways. Revere features a transitional style for flexible architectural applications and is useful for tight spaces and columns where a slim fit is required. ADA Compliant. 3 convenient sizes.

**FEATURES**

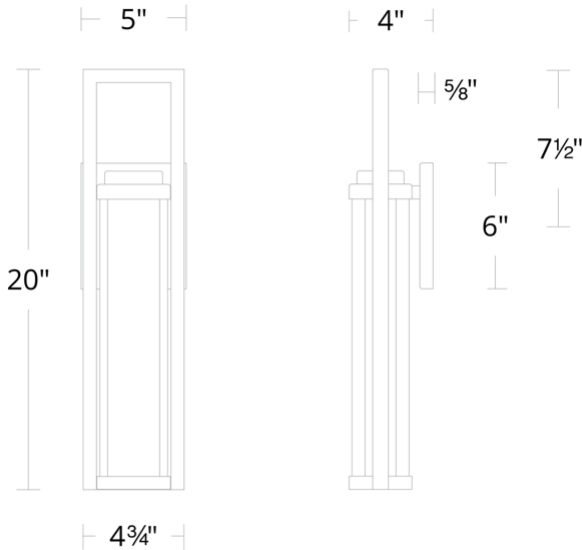
- ACLED driverless technology
- Seedy mouth-blown hammered glass
- Open bottom and removable glass for easy cleaning

**SPECIFICATIONS**

<b>Rated Life</b>	54000 Hours
<b>Standards</b>	ETL, cETL, Wet Location Listed, Title 24 JA8: 2019 Compliant
<b>Input</b>	120 VAC, 50/60Hz
<b>Dimming</b>	ELV: 100-10%, TRIAC: 100-10%
<b>Color Temp</b>	3000K
<b>CRI</b>	90
<b>Construction</b>	Die cast cap, extruded aluminum body, mouth blown hammered seedy glass shade with etched glass diffuser

**REPLACEMENT PARTS**

RPL-GLA-22120 - Hammered Seedy Glass



WS-W22120

Model & Size	Color Temp	Finish	LED Watts	LED Lumens	Delivered Lumens
WS-W22120 20"	3000K	BK Black	13W	613	245

Example: **WS-W22120-BK**

For custom requests please contact [customs@modernforms.com](mailto:customs@modernforms.com)



Project: \_\_\_\_\_

Location: \_\_\_\_\_

Fixture Type: \_\_\_\_\_

Catalog Number: \_\_\_\_\_

**AVAILABLE FINISHES:**



## Revere

WS-W22125

**PRODUCT DESCRIPTION**

Gracious and substantial. Mouth-blown seeded hammered glass creates a stunning effect. This updated lantern engineered with ACLED driverless technology invitingly draws attention to entryways. Revere features a transitional style for flexible architectural applications and is useful for tight spaces and columns where a slim fit is required. ADA Compliant. 3 convenient sizes.

**FEATURES**

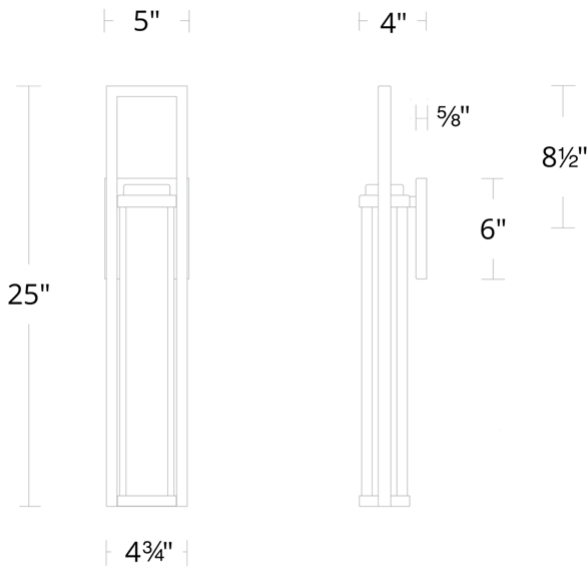
- ACLED driverless technology
- Seedy mouth-blown hammered glass
- Open bottom and removable glass for easy cleaning

**SPECIFICATIONS**

<b>Rated Life</b>	54000 Hours
<b>Standards</b>	ETL, cETL, Wet Location Listed, Title 24 JA8: 2019 Compliant
<b>Input</b>	120 VAC, 50/60Hz
<b>Dimming</b>	ELV: 100-10%, TRIAC: 100-10%
<b>Color Temp</b>	3000K
<b>CRI</b>	90
<b>Construction</b>	Die cast cap, extruded aluminum body, mouth blown hammered seedy glass shade with etched glass diffuser

**REPLACEMENT PARTS**

RPL-GLA-22125 - Hammered Seedy Glass



WS-W22125

Model & Size	Color Temp	Finish	LED Watts	LED Lumens	Delivered Lumens
WS-W22125 25"	3000K	BK Black	15.1W	700	271

Example: **WS-W22125-BK**

For custom requests please contact [customs@modernforms.com](mailto:customs@modernforms.com)