



1718 W. Fullerton Chicago, IL 60614
 Ph: 773.770.1195 • Fax: 773.935.5613
 www.PureEdgeLighting.com • info@PureEdgeLighting.com
 © 2016 PureEdge Lighting. All Rights Reserved.

Installation Instructions for **Tubo Large Wall Wash Vanishing Point** and **Tubo Large Wall Wash Track Head**

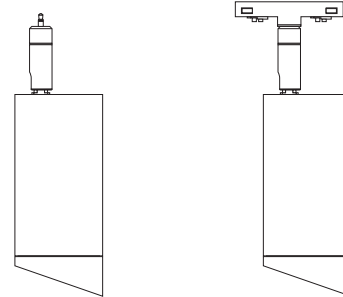
FJ24-TUBL-WW-__

T24-TUBL-WW-__

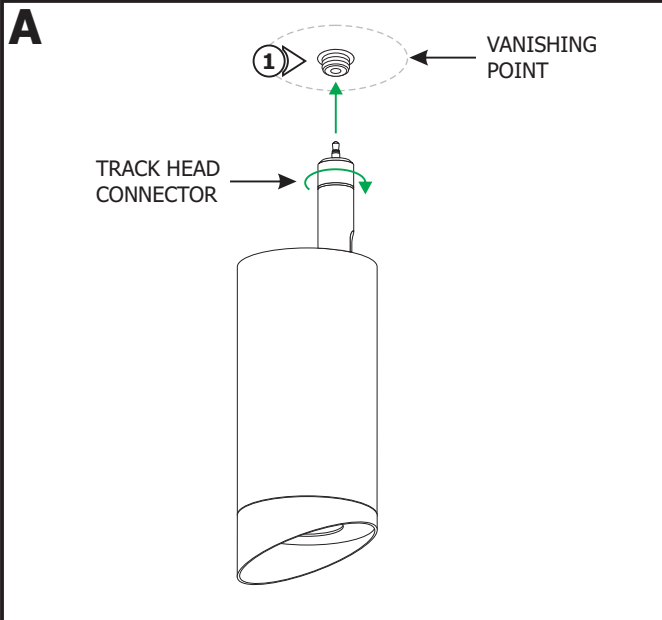
IMPORTANT INFORMATION

- This product is suitable for indoor locations.
- Ensure that power to the electrical box is **OFF** before beginning installation.
- These lighting fixtures must be used with PureEdge Lighting 24 volt Vanishing Point Monopoint system and track systems only.
- This product is dimmable when the system is powered with PureEdge 0-10 volt, ELV and Universal power supplies.

SAVE THESE INSTRUCTIONS!



Section One: Install the Track Head for Vanishing Point Monopoint Systems



NOTE: Omit this section if installing the track head to Track Systems. Refer to Section Two.

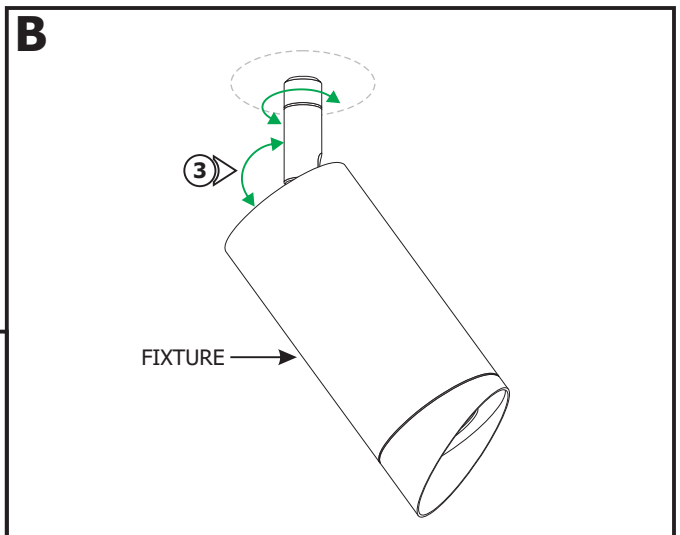
NOTE: Refer to the instructions provided with the Vanishing Point to install the system.

1: Plug the track head connector into the Vanishing Point connector. Use fingers to tighten the connector and secure in place.

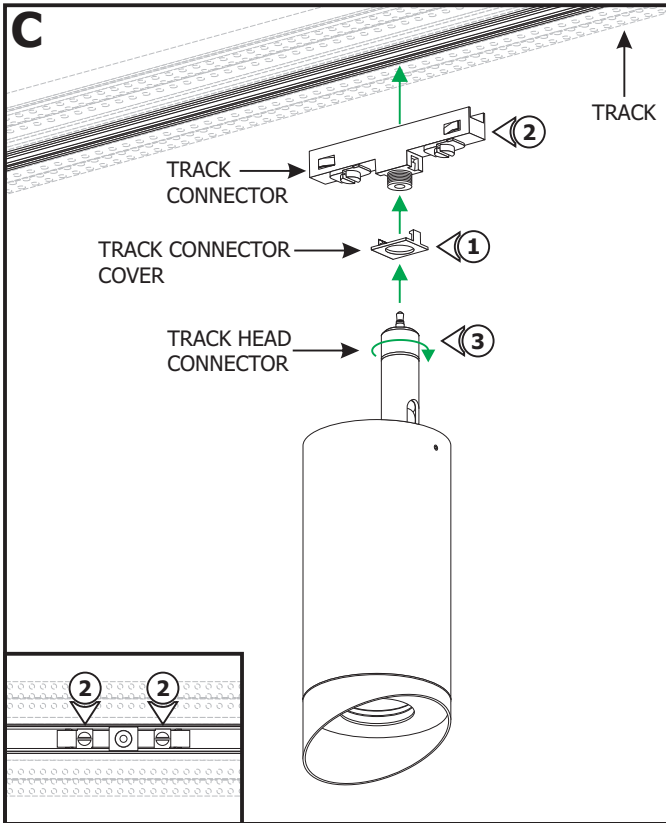
2: Adjust the fixture to the desired position by rotating the body vertically or horizontally.

3: Turn the power on.

NOTE: This fixture consumes **15** watts and contains integrated LED lamps which are rated for 50,000 hours.



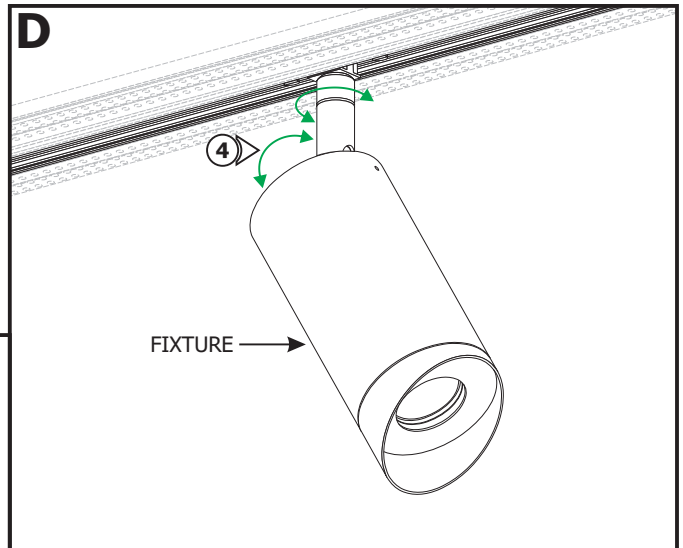
Section Two: Install the Track Head for Track Systems



NOTE: Omit this section if installing the track head to Vanishing Point Systems.

NOTE: Refer to the instructions provided with the track to install the system.

- 1: Snap the black or white cover onto the track connector.
- 2: Insert the track connector into the track. Tighten the slotted screws with a flat head screw driver to secure in place.
- 3: Plug the track head connector into the track connector. Use fingers to tighten the connector and secure in place.



4: Adjust the fixture to the desired position by rotating the body vertically or horizontally.

5: Turn the power on.

NOTE: This fixture consumes **15** watts and contains integrated LED lamps which are rated for 50,000 hours.